

PRODUCT DESCRIPTION CODE :

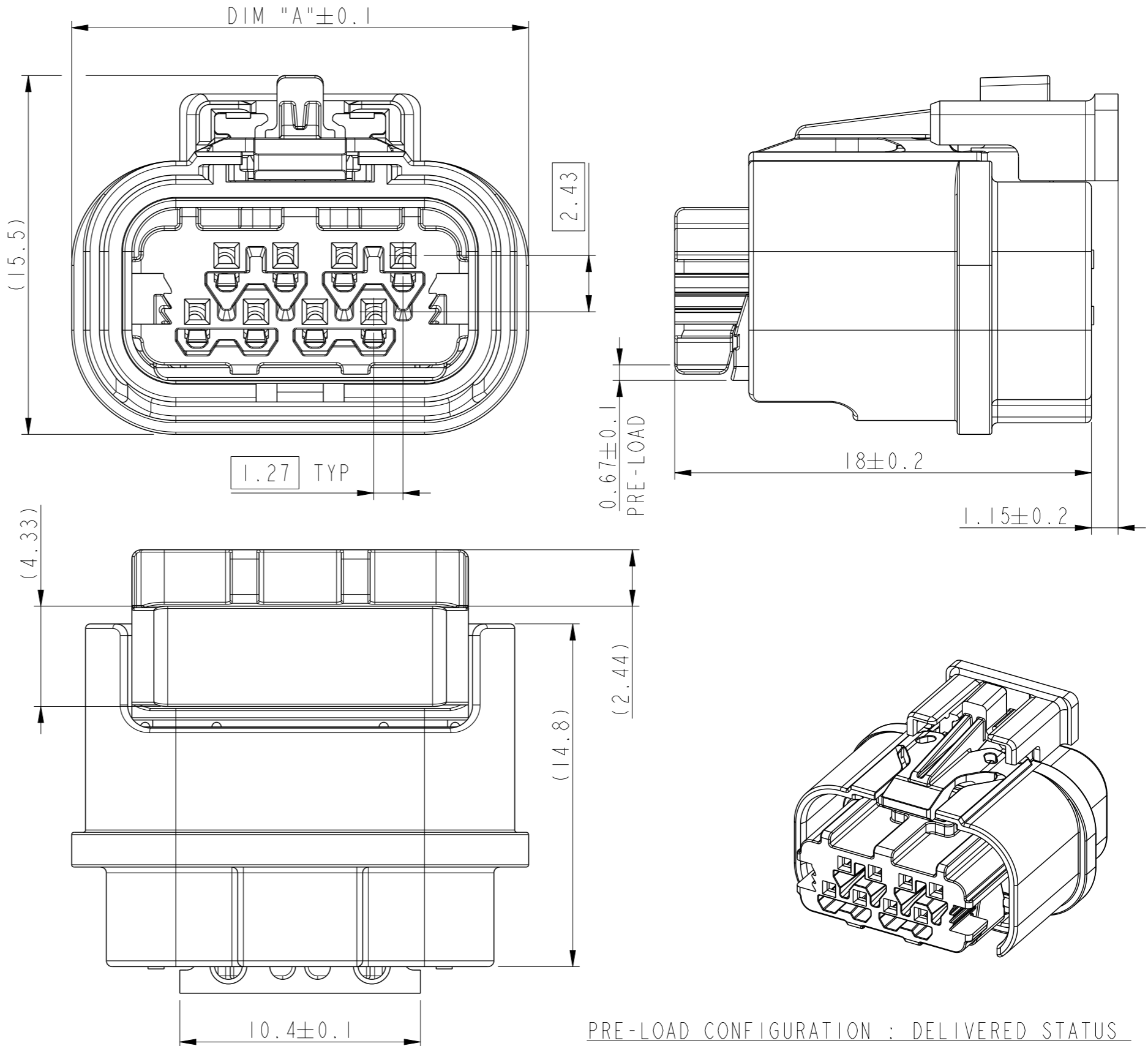
10155470-Y0XX LF

RoHS COMPATIBLE
 FOR CUSTOMER CODE:
 BLANK = GENERAL USE
 BLANK = WITH CPA
 W = WITHOUT CPA
 NUMBER OF POSITIONS: 02 TO 16

CODING TYPE:
 A = CODING A + BLACK COLOR
 B = CODING B + NATURAL COLOR
 C = CODING C + COLOR TO BE DEFINE

NOTES:

- 1 - MATERIAL:
 HIGH TEMPERATURE THERMOPLASTIC UL94 V-0
 CONNECTOR HOUSING: COLOR SEE CODING TYPE
 TERMINAL HOUSING, TPA: COLOR BLACK
 CPA: COLOR RED
 SEALS: SILICONE RUBBER COLOR BLACK
- 2 - FOR USE WITH MicroSpaceXS CTW TERMINALS:
 AWG 22 AND 24, SERIES 10155447
- 3 - CAN BE MATED WITH MicroSpaceXS SEALED:
 HEADER W+W FLYING CONNECTION SERIES 10155480
 HEADER INTERFACE W+D SERIES 10171621
- 4 - COMPATIBLE WITH SEALING PLUG 10155475-000LF
- 5 - PRODUCT SPECIFICATION : GS-12-1634
 APPLICATION SPECIFICATION : GS-20-0657
 PACKAGING SPECIFICATION : GS-14-2777
- 6 - THE PRODUCT IS NOT INTENDED TO BE EXPOSED
 TO ANY SOLDER PROCESS.
- 7 - RoHS COMPATIBLE PRODUCT SPECIFICATIONS
 a - LABELLING :
 MEETS PACKAGING SPECS AS PER GS-14-920
 b - LEGAL STATEMENT :
 SEE GS-47-0004.

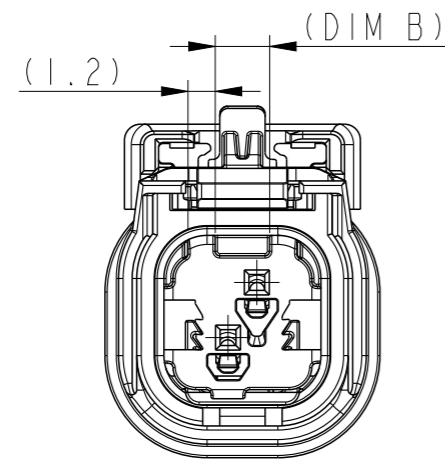


spec ref	dr	Soman-adm, Shi	2020/06/03	projection	mm	size	A3	scale	5:1
tolerance std	eng	Hyppias, Arnau	2023/05/23			ecn no	ELX-F-48313-1	rel level	Released
ISO 406 ISO 1101	chr	Moisan, Gwenda	2023/05/23						
surface	linear	0.X	±0.3		RECEPTACLE ASSEMBLY MicroSpaceXS SEALED	dwg no	10155470	rev	D
		0.XX	±0.10						
ISO 1302	angular	0°	±2°	cat. no.	-	Product - Customer Drw	sheet 1 of 3		

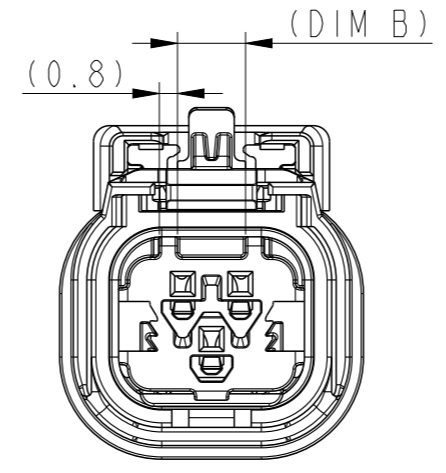
Amphenol FCI

© 2020 Amphenol Corporation

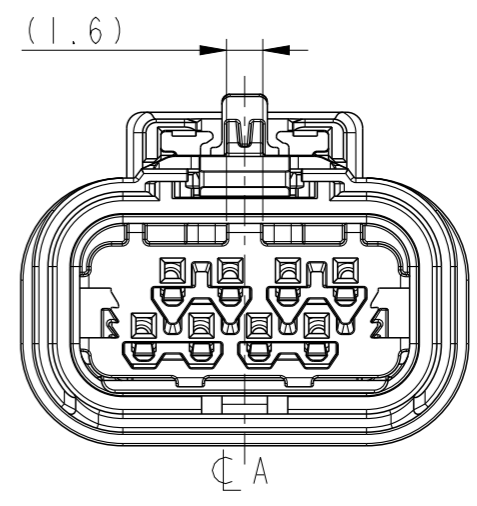
COD A VIEWS AND DIMENSIONS



FOR 02POS

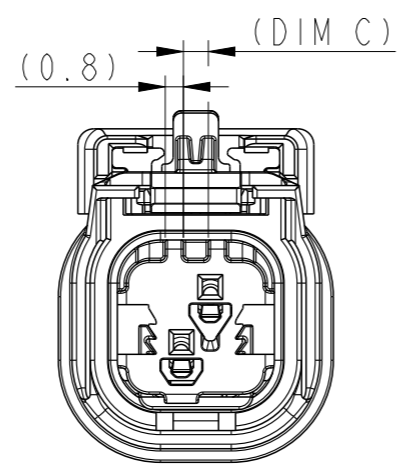


FOR 03 TO 05POS

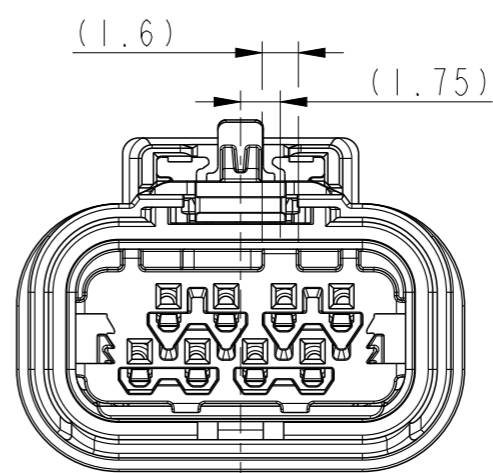


FOR 06 TO 16POS

COD B VIEWS AND DIMENSIONS

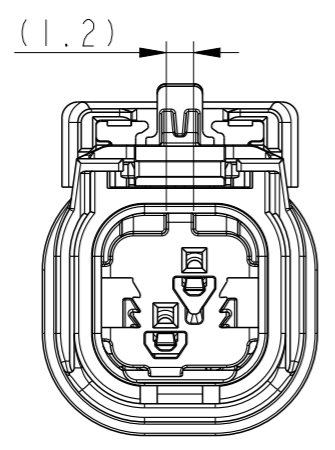


FOR 02 TO 05POS

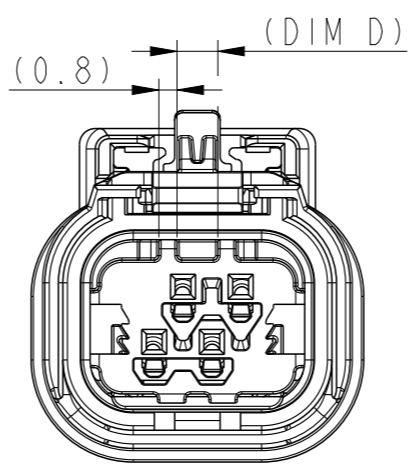


FOR 06 TO 16POS

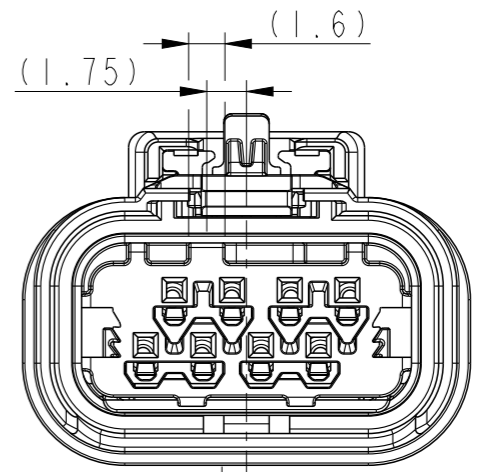
COD C VIEWS AND DIMENSIONS



FOR 02 AND 03POS



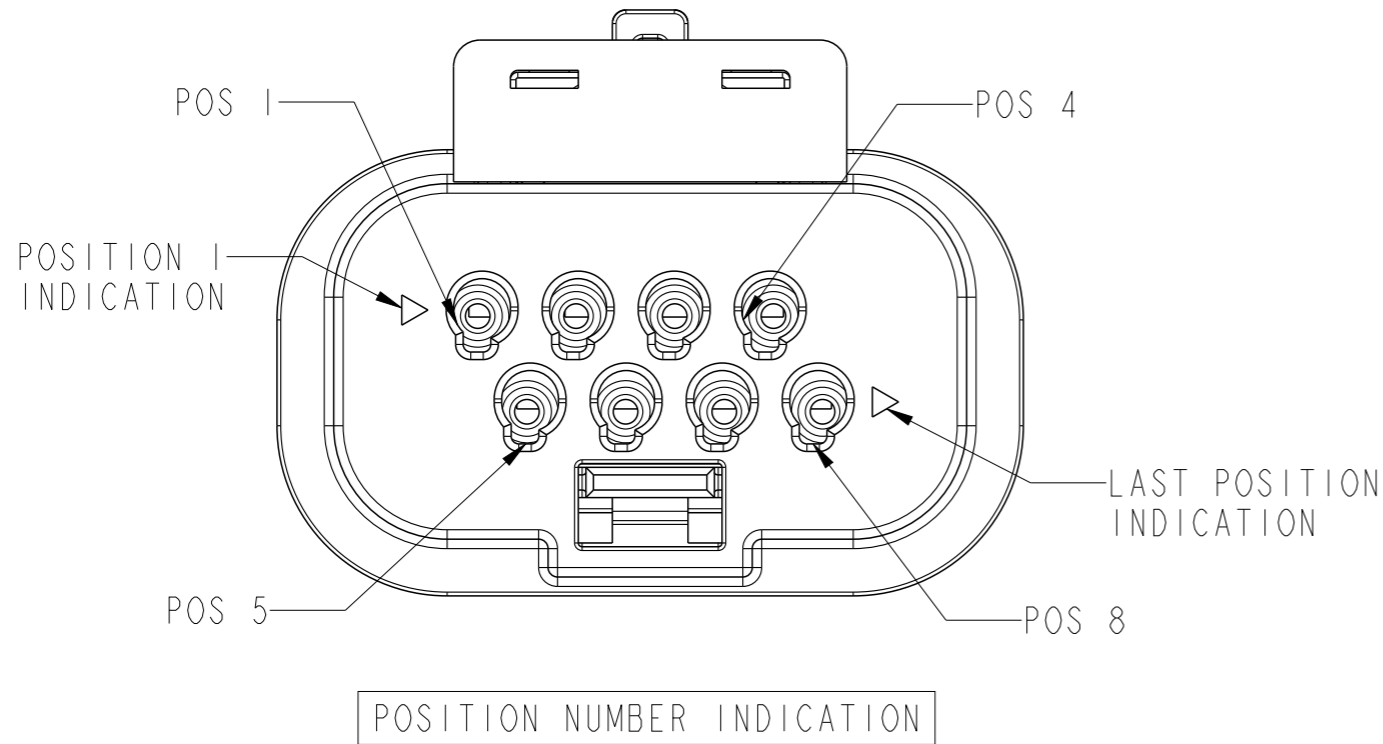
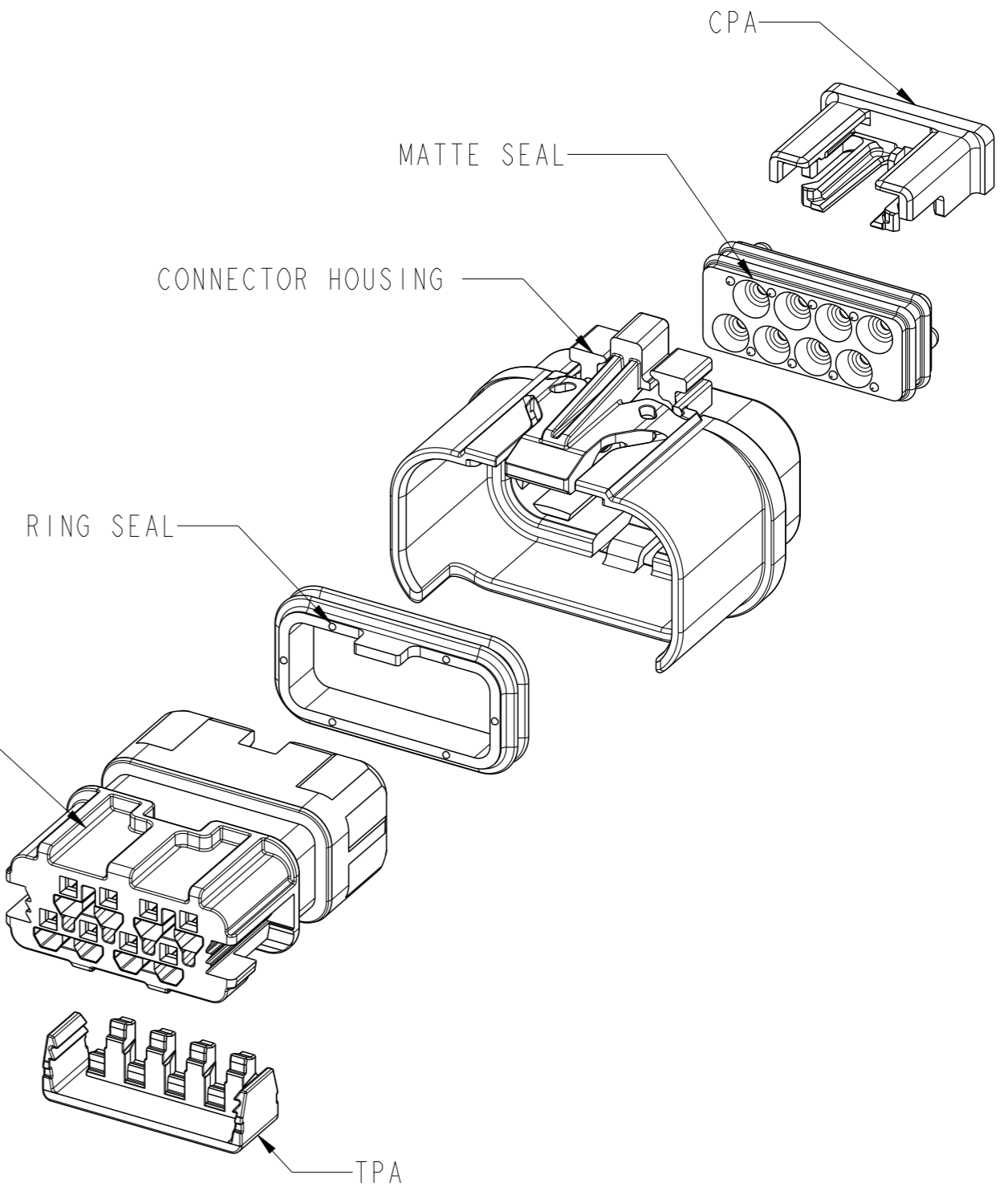
FOR 04 AND 05POS



FOR 06 TO 16POS

spec ref	dr	Soman-adm, Shi	2020/06/03	projection	mm	size	A3	scale	3:1
tolerance std	eng	Hyppias, Arnau	2023/05/23			ecn no	ELX-F-48313-1	rel level	Released
ISO 406 ISO 1101	chr	Moisan, Gwenda	2023/05/23						
surface	linear	0.X	±0.3		RECEPTACLE ASSEMBLY		dwg no	10155470	rev
		0.XX	±0.10		MicroSpaceXS SEALED				
ISO 1302	angular	0°	±2°		cat. no.	-			

PART NUMBER	AVAILABILITY	NO.OF POS	DIM "A"	DIM "B"	DIM "C"	DIM "D"
10155470-X002LF	TOOLED	02	12.12	2.4	1.10	N/A
10155470-X003LF	ON DEMAND	03	13.39	3.00	1.40	N/A
10155470-X004LF	TOOLED	04	14.66	4.00	2.40	0.80
10155470-X005LF	ON DEMAND	05	15.93	5.00	3.50	1.80
10155470-X006LF	ON DEMAND	06	17.20	6.26	N/A	N/A
10155470-X007LF	ON DEMAND	07	18.47	7.53	N/A	N/A
10155470-X008LF	ON DEMAND	08	19.74	8.80	N/A	N/A
10155470-X009LF	ON DEMAND	09	21.01	10.07	N/A	N/A
10155470-X010LF	TOOLED	10	22.28	11.34	N/A	N/A
10155470-X011LF	ON DEMAND	11	23.55	12.61	N/A	N/A
10155470-X012LF	ON DEMAND	12	24.82	13.88	N/A	N/A
10155470-X013LF	ON DEMAND	13	26.09	15.15	N/A	N/A
10155470-X014LF	TOOLED	14	27.36	16.42	N/A	N/A
10155470-X015LF	ON DEMAND	15	28.63	17.69	N/A	N/A
10155470-X016LF	ON DEMAND	16	29.90	18.96	N/A	N/A



spec ref	dr	Soman-adm, Shi	2020/06/03	projection	mm	size	A3	scale	5:1
tolerance std	eng	Hyppias, Arnau	2023/05/23			ecn no	ELX-F-48313-1	rel level	Released
ISO 406 ISO 1101	chr	Moisan, Gwenda	2023/05/23						
surface	appr	Vallière, Jérô	2023/05/23	Amphenol FCI		RECEPTACLE ASSEMBLY MicroSpaceXS SEALED		dwg no	10155470
ISO 1302	linear	0.X	±0.3	cat. no.	-	Product - Customer Drw	sheet 3 of 3	rev	D
	angular	0°	±2°						

Amphenol FCI

© 2020 Amphenol Corporation