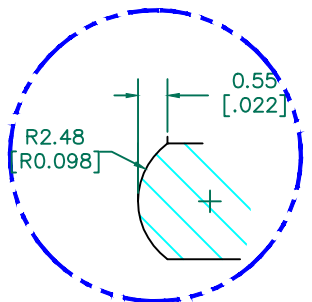


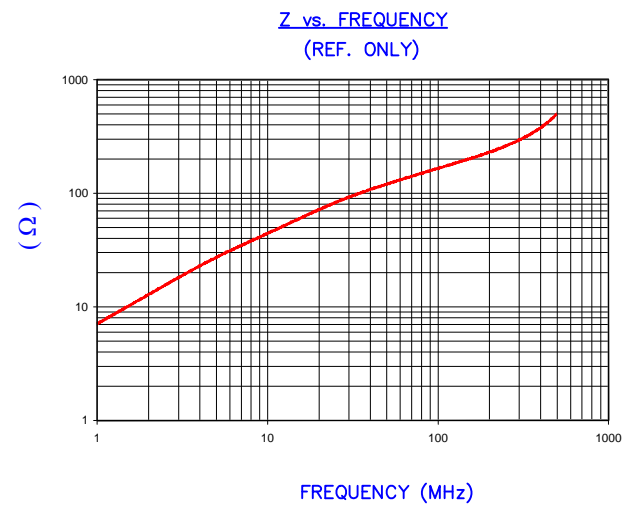
SEE DETAIL "A"



DETAIL "A"
CHAMFER
SCALE=4:1

UNCONTROLLED DOCUMENT

IMPEDANCE (Z)			
Frequency	25 MHz	100 MHz	300 MHz
Nominal (REF)	79 Ω	163 Ω	273 Ω
Minimum	- Ω	130 Ω	- Ω



AGILENT E4991A Impedance/Material Analyzer
HP 16092A Test Fixture REF# 3006

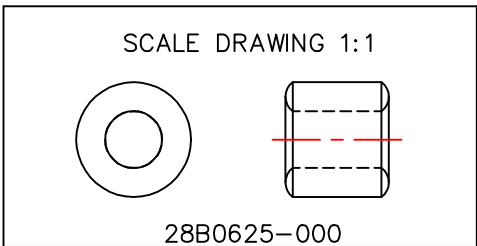
FERRITE CORE DIMENSIONS (SPEC):

A	15.88 [.625]	+	0.30 [.012]
B	7.87 [.310]	+	0.15 [.006]
C	14.27 [.563]	+	0.25 [.010]

WEIGHT/1000 10.11 kgs [22.30 Lbs]

NOTES: UNLESS OTHERWISE SPECIFIED

1. COSMETIC SPECIFICATION REFER TO WI-QA-038.



DIMENSIONS ARE IN mm [INCHES].				This print is the property of Laird Tech. and is loaned in confidence subject to return upon request and with the understanding that no copies shall be made without the written consent of Laird Tech. All rights to design or invention are reserved.		Laird		
K	UPDATE THE LOGO	05/13/15	QIU	PROJECT/PART NUMBER:		REV	PART TYPE:	DRAWN BY:
J	UPDATE CO.LOGO CHG CHAMFER DESIGN	03/20/09	JRK	28B0625-000		K	FERRITE CNZ CORE	DJB
H	UPDATE MIN Z SPEC@100 MHZ	11/14/05	JRK	DATE:	07/25/91	SCALE:	2:1	MATERIAL:
G	UPDATE MIN Z SPECS ADD TEST REF	12/06/04	JRK	CAD #	28B0625-000-K	TOOL #	B0625	Ferrite
F	UPDATE FORMAT, Z SPECS & CURVE	05/20/03	JRK					
REV	DESCRIPTION	DATE	INT					