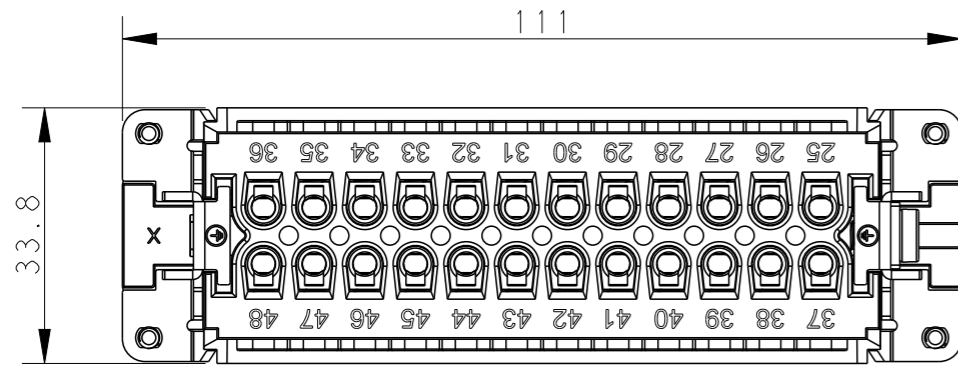


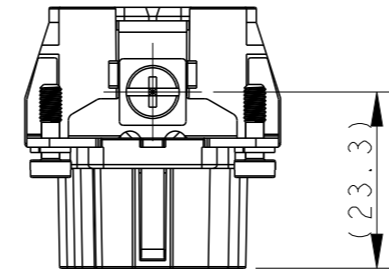
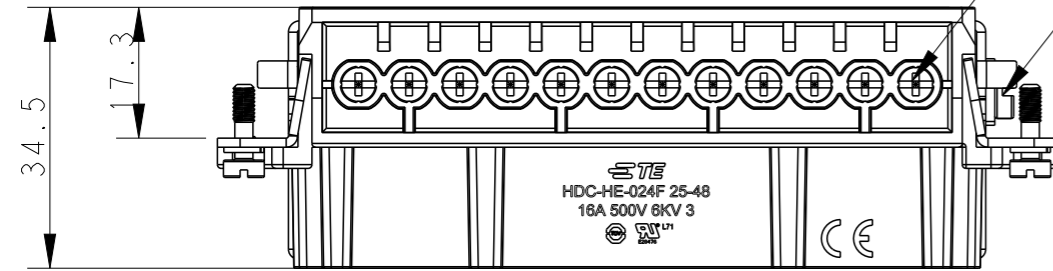
REVISIONS

P	LTR	DESCRIPTION	DATE	DWN	APVD
	A	INITIAL	07Jan2015	GY	CW
	B	ECR-15-013759	28SEP2015	DW	CW
	C	ECR-21-106515	12JUL2021	SQ	CW

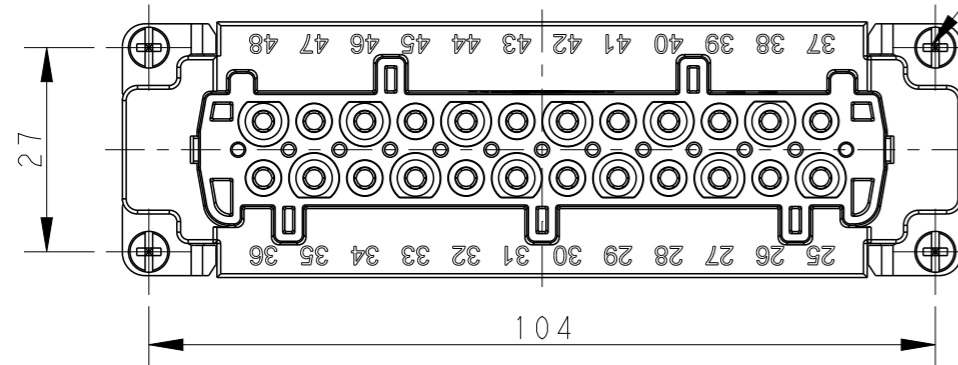


24 X M3 screw, recommended tightening torque 0.5Nm

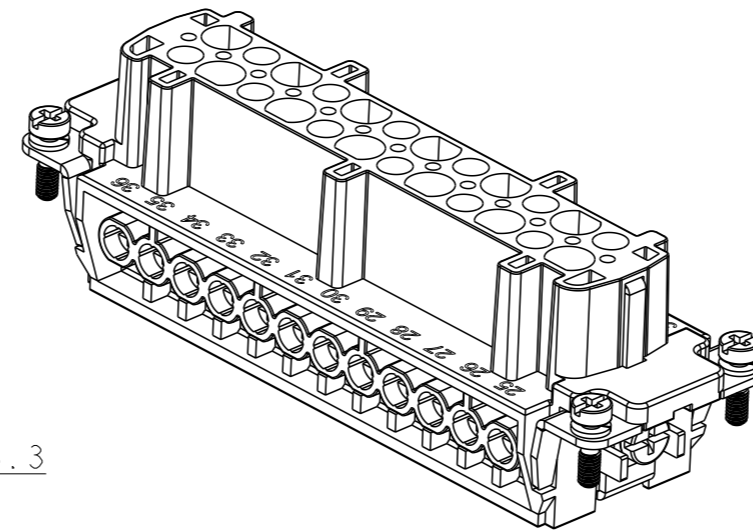
M4 screw, recommended tightening torque 1.2Nm



4 X M3 screw, recommended tightening torque 0.5Nm



4 X M3 screw, recommended tightening torque 0.5Nm

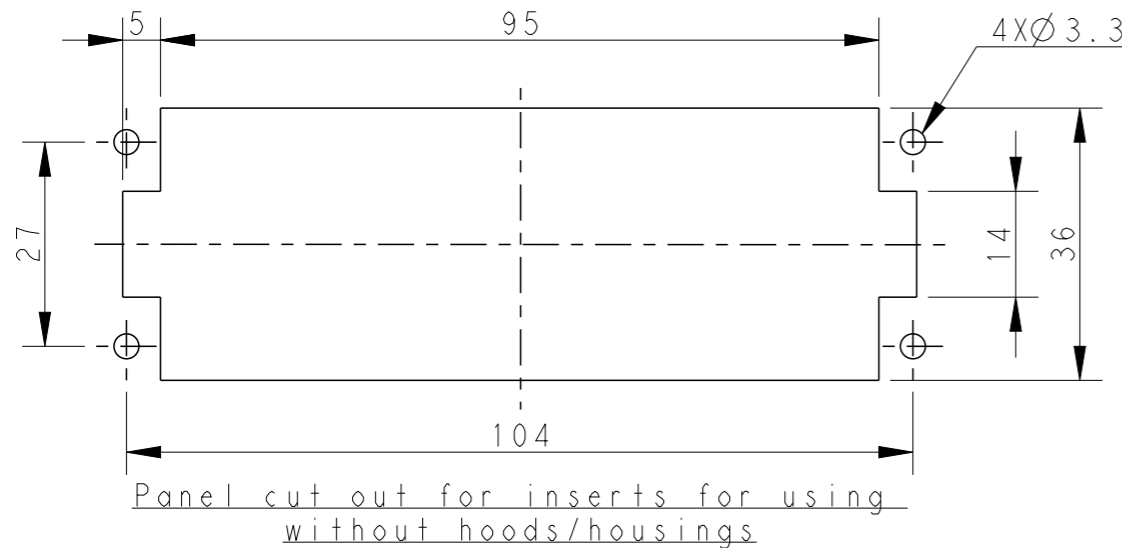


NOTES:

- TECHNICAL CHARACTERISTICS:
 INSULATION MATERIAL: PC
 RATED VOLTAGE: 500V
 RATED CURRENT: 16A
 INSULATION RESISTANCE: >=400MΩ
 RATED IMPULSE VOLTAGE: 6KV
 POLLUTION DEGREE: 3
 FLAMMABILITY: UL94V-0
 MATING CYCLES: 500 CYCLES
 OPERATION TEMPERATURE: -40°C~+125°C
 WIRE RANGE: 0.5mm²~2.5mm² (AWG20-AWG14)
 CONTACT TYPE: SCREW CLAMP (M3)

注释:

- 技术参数:
 绝缘材料: PC
 额定电压: 500V
 额定电流: 16A
 绝缘电阻: >=400MΩ
 脉冲电压: 6KV
 污染等级: 3
 阻燃等级: UL94V-0
 插拔次数: 500 次
 工作温度: -40°C~+125°C
 接线范围: 0.5mm²~2.5mm² (AWG20-AWG14)
 接线类型: 螺丝压接 (M3)



HE-024-F 25-48	T2040482201-000
DESCRIPTION	PART NUMBER

THIS DRAWING IS A CONTROLLED DOCUMENT.		DWN	Gino.Yao	06Jan2015	NAME HE-024-F 25-48			
DIMENSIONS: mm		CHK	Chris.Wang	06Jan2015				
TOLERANCES UNLESS OTHERWISE SPECIFIED:		APVD	Xiang.Xu	06Jan2015				
0 PLC ±-		PRODUCT SPEC	108-137044					
1 PLC ±-		APPLICATION SPEC	114-137044		SIZE	CAGE CODE	DRAWING NO	RESTRICTED TO
2 PLC ±-		MATERIAL	-		A3	00779	©-T2040482201000	-
3 PLC ±-		FINISH	-		SCALE 1:1			SHEET 1 OF 1
4 PLC ±-					CUSTOMER DRAWING			REV C
ANGLES ±-								
-								
-								

Mouser Electronics

Authorized Distributor

Click to View Pricing, Inventory, Delivery & Lifecycle Information:

[TE Connectivity:](#)

[T2040482201-000](#)