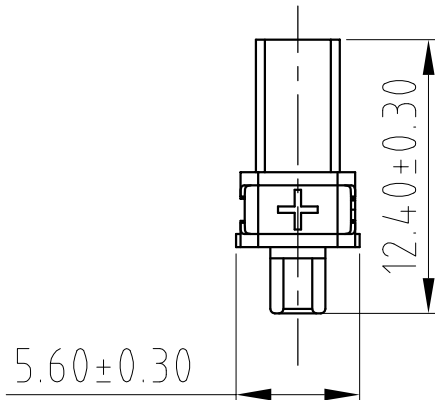
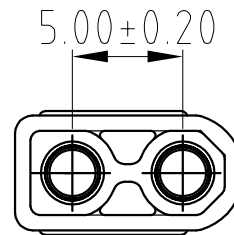
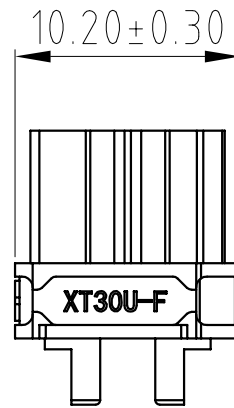
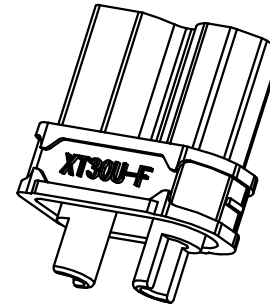


Drawing for Customer

REV.	DESCRIPTION	DATE	DRAFTER	APPROVER
V0.0	DWG.REL	2026.3.16	MA	

Technical Requirements

1. Appearance shall comply with Kaifeng product appearance standards.
2. Conductive terminals: surface plating - gold.
3. Material of conductive terminals: copper; material of plastic housing: PA66.
4. Environmental compliance: meet RoHS 3.0 and REACH regulations.
5. Male and female connectors shall mate without interference.



Pitch range		Nominal dimension range					PROJECTION	TITLE	
>0	>6	>10	>0	>30	>60	>100	0.1/10	DFT-XT30U-F.G.Y	
~6	~10	~24	~30	~60	~100	~150	∠	SHEET SIZE A4	
±0.15	±0.20	±0.30	±0.30	±0.50	±0.70	±1.00	±1.30	±2'	
DRAWING TYPE		CUSTOMER DRAWING					SERIES DFT-XT30		
SCALE		1:1					SHEET 1 OF 1		
DRAWING NO.									



慈溪市凯峰电子有限公司
CIXI KAIFENG ELECTRONICS CO.,LTD