

# HC-D-G-M25-PLRBK - Cable gland

1411351

<https://www.phoenixcontact.com/us/products/1411351>

Please be informed that the data shown in this PDF document is generated from our online catalog. Please find the complete data in the user documentation. Our general terms of use for downloads are valid.



EVO plastic cable gland with bayonet locking, for housing series D, size M25, cable diameter: 9 mm ... 17 mm.

## Commercial data

Item number	1411351
Packing unit	1 pc
Minimum order quantity	1 pc
Sales key	BF57
Product key	AF7APN
GTIN	4046356929226
Weight per piece (including packing)	33.9 g
Weight per piece (excluding packing)	32 g
Customs tariff number	85389099
Country of origin	PL

# HC-D-G-M25-PLRBK - Cable gland

1411351

<https://www.phoenixcontact.com/us/products/1411351>

## Technical data

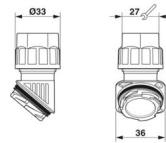
### Mounting

Assembly note	Bayonet locking max. 3x can be removed
---------------	--

### Product properties

Product type	Cable screw gland
No. of conductors	1
Type of the screw connection	M25
Shielded	no

### Dimensions

Dimensional drawing	
Wrench size, union nut	26 mm

### Material specifications

Color	black (RAL 9005)
Material Pressure screw	PA
Flammability rating according to UL 94	V0 / V2
Seal material O-ring	NBR
Seal material Cable seal	NBR
Material for screw connection	PA

### Cable/line

External cable diameter Cable 1	9 mm ... 17 mm
---------------------------------	----------------

### Environmental and real-life conditions

#### Ambient conditions

Degree of protection	IP66
Enclosure rating (NEMA)	12 (UL 50e)
Ambient temperature (operation)	-40 °C ... 100 °C

# HC-D-G-M25-PLRBK - Cable gland

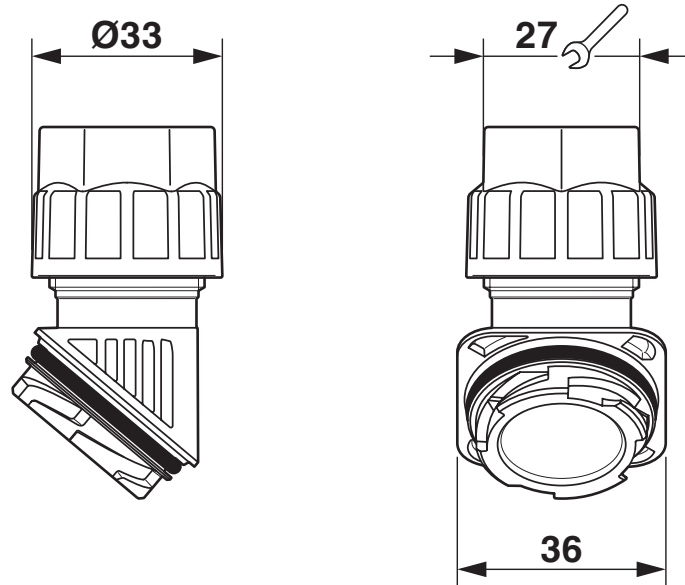
1411351

<https://www.phoenixcontact.com/us/products/1411351>



## Drawings

Dimensional drawing



Dimensional drawing

# HC-D-G-M25-PLRBK - Cable gland



1411351

<https://www.phoenixcontact.com/us/products/1411351>

## Approvals

🔗 To download certificates, visit the product detail page: <https://www.phoenixcontact.com/us/products/1411351>



**EAC-RoHS**

Approval ID: RU D-DE.HB35.B.00387



**cUL Recognized**

Approval ID: E255026



**UL Recognized**

Approval ID: E255026

# HC-D-G-M25-PLRBK - Cable gland



1411351

<https://www.phoenixcontact.com/us/products/1411351>

## Classifications

### ECLASS

ECLASS-13.0

27140801

### ETIM

ETIM 9.0

EC000441

### UNSPSC

UNSPSC 21.0

39121300

# HC-D-G-M25-PLRBK - Cable gland



1411351

<https://www.phoenixcontact.com/us/products/1411351>

## Environmental product compliance

### EU RoHS

Fulfills EU RoHS substance requirements	Yes, No exemptions
---	--------------------

### China RoHS

Environment friendly use period (EFUP)	EFUP-E
	No hazardous substances above the limits

### EU REACH SVHC

REACH candidate substance (CAS No.)	No substance above 0.1 wt%
-------------------------------------	----------------------------

### EF3.0 Climate Change

CO2e kg	0.301 kg CO2e
---------	---------------

Phoenix Contact 2025 © - all rights reserved  
<https://www.phoenixcontact.com>

Phoenix Contact USA  
586 Fulling Mill Road  
Middletown, PA 17057, United States  
(+717) 944-1300  
[info@phoenixcon.com](mailto:info@phoenixcon.com)