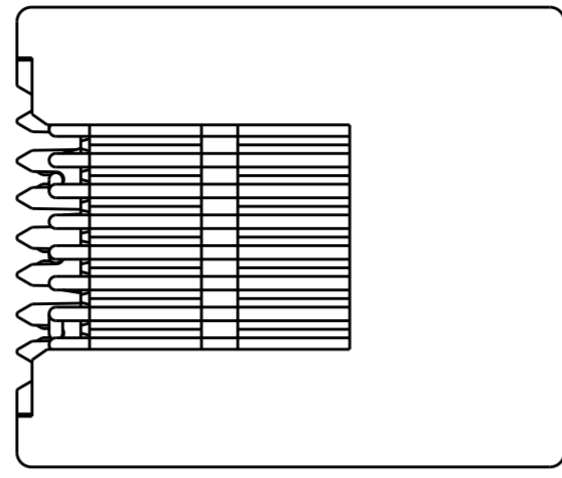
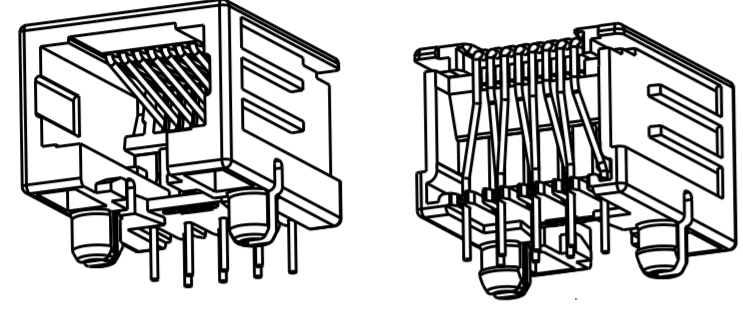


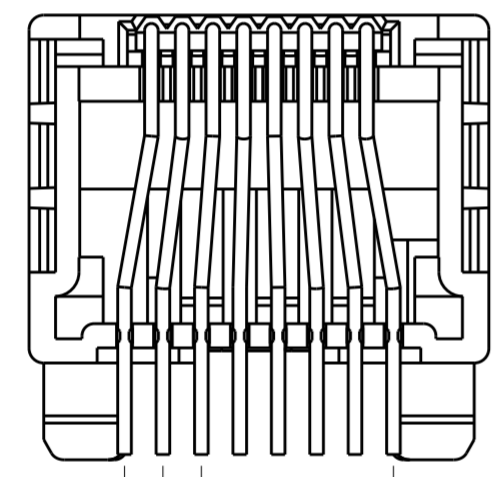
THIS DRAWING IS UNPUBLISHED. RELEASED FOR PUBLICATION  
 © COPYRIGHT - ALL RIGHTS RESERVED.

LOC		DIST		REVISIONS			
P	LTR	DESCRIPTION	DATE	DWN	APVD		
	AF	ECR-10-020218	21JUN2011	PS	RRP		
	AF1	REVISED PER ECO-12-008315	12MAY2015	AD	SH		

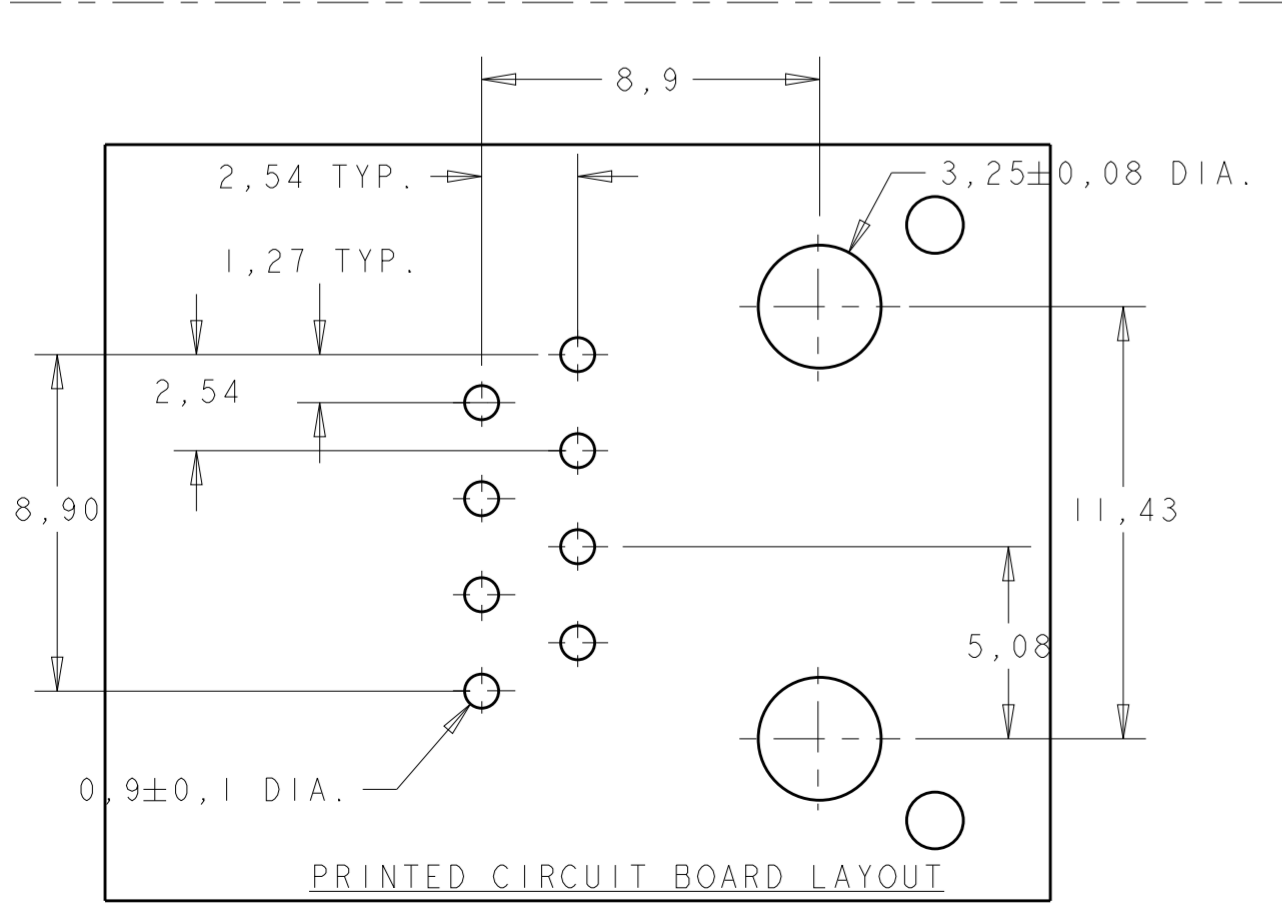
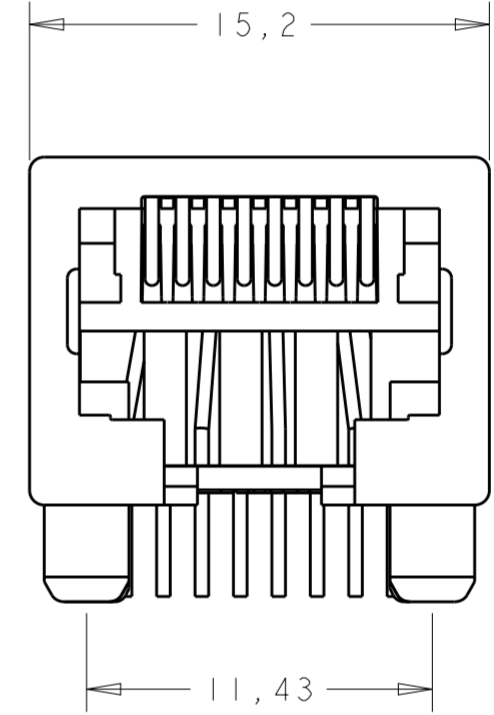
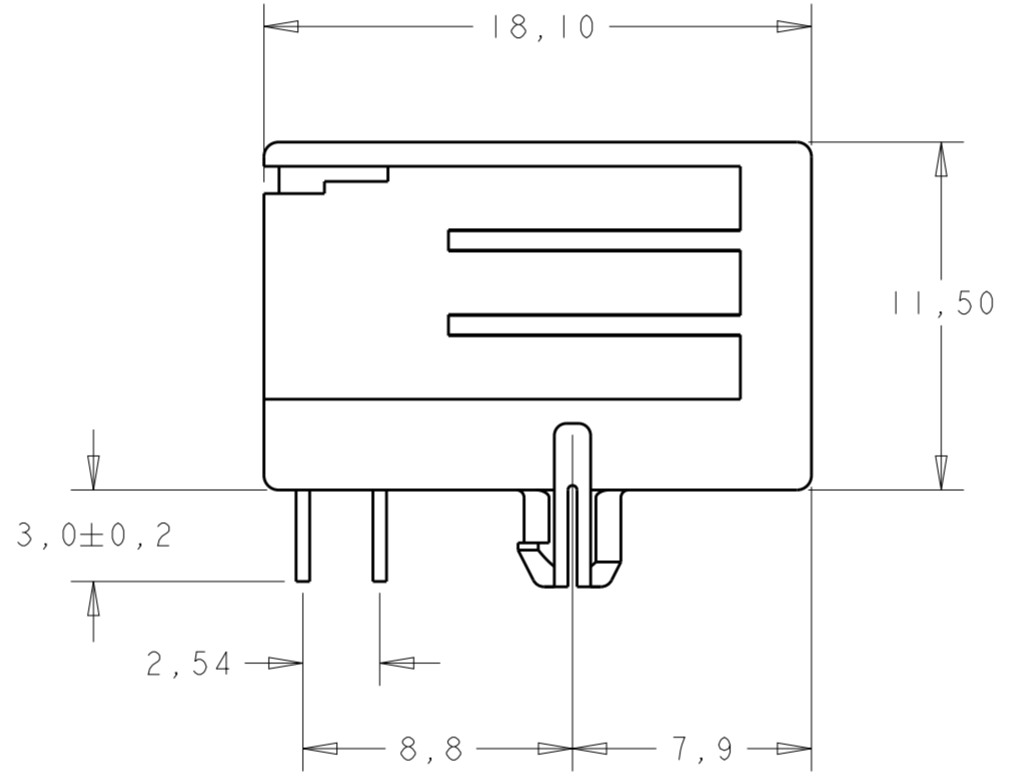


NOTES:

- 1 TOLERANCE UNLESS OTHERWISE SPECIFIED:  $\pm 0,15$ .
- 2 FOR THIS PACKAGING METHOD THE TRUE POSITION OF THE SOLDER TINES IS NOT GUARANTEED.
- 3 SUPERSEDED BY 1-215877-3

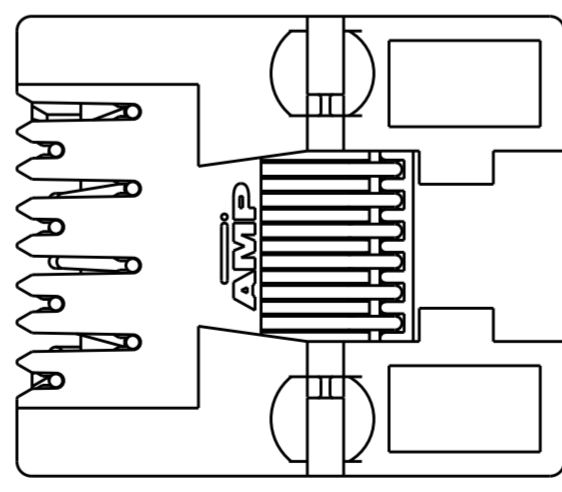


2,54  
 1,27 TYP.  
 8,9



PRINTED CIRCUIT BOARD LAYOUT

[VIEW SHOWN IS CIRCUIT (NONCOMPONENT) SIDE OF BOARD.]  
 PRINTED CIRCUIT BOARD THICKNESS: 1,6 mm NOMINAL.  
 TOLERANCE UNLESS OTHERWISE SPECIFIED:  $\pm 0,05$



**SUPERSEDED BY 215877-1**

PACKAGING	REMARKS	FINISH	MATERIAL	ORDER NUMBER
1000 PIECES BULK PACKAGED			HOUSING COLOR: BLUE RAL 5017	4-215877-1
<del>1000 PIECES BULK PACKAGED</del>			HOUSING COLOR: GREY RAL 7035	3-215877-1
200 PIECES IN A TRAY	8 POS. / 8 CONTACTS		HOUSING COLOR: BLACK PBT: UL 94V-0 CONTACT INSERT: PBT: UL 94V-0 CONTACTS: PH BRONZE	1-215877-3
<del>99 PIECES IN MULTI-TRAY</del>				1-215877-1
TAPE MOUNTED 700 PCS./REEL				215877-1

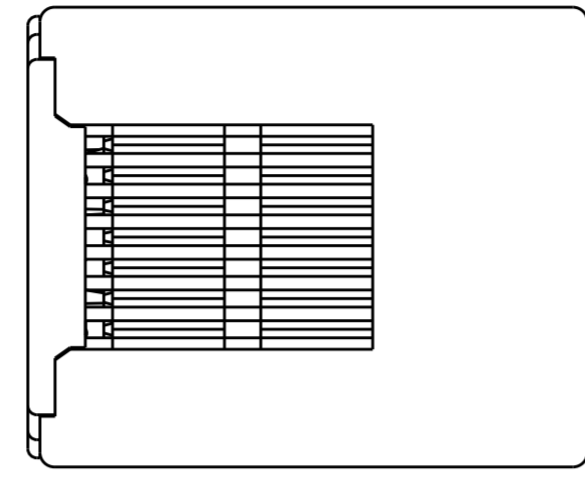
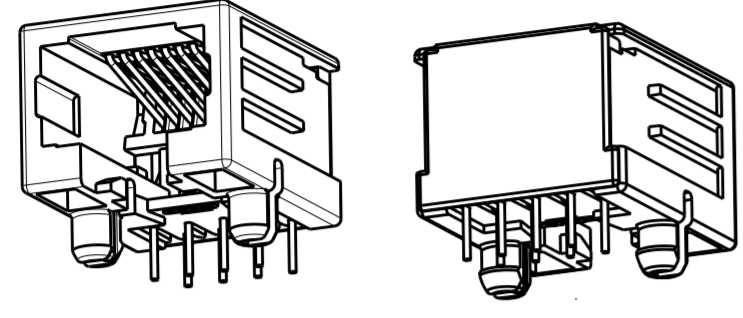
THIS DRAWING IS A CONTROLLED DOCUMENT.

DIMENSIONS: mm	TOLERANCES UNLESS OTHERWISE SPECIFIED:	DWN: E.v.Eijk	TE Connectivity MODULAR JACK, 8 POS SIDE ENTRY FOR PRINTED CIRCUIT BOARD	
		CHK: M.v.Essen		
		APVD: R.Smeets		
		PRODUCT SPEC: 108-19064		
MATERIAL	FINISH	APPLICATION SPEC: 114-19019	SIZE: A2	CAGE CODE: C-215877
		WEIGHT	SCALE: 4:1	SHEET 1 OF 2

CUSTOMER DRAWING

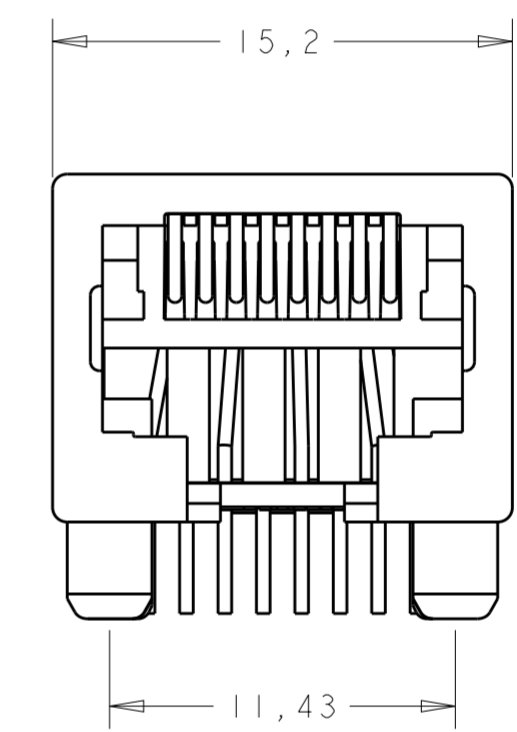
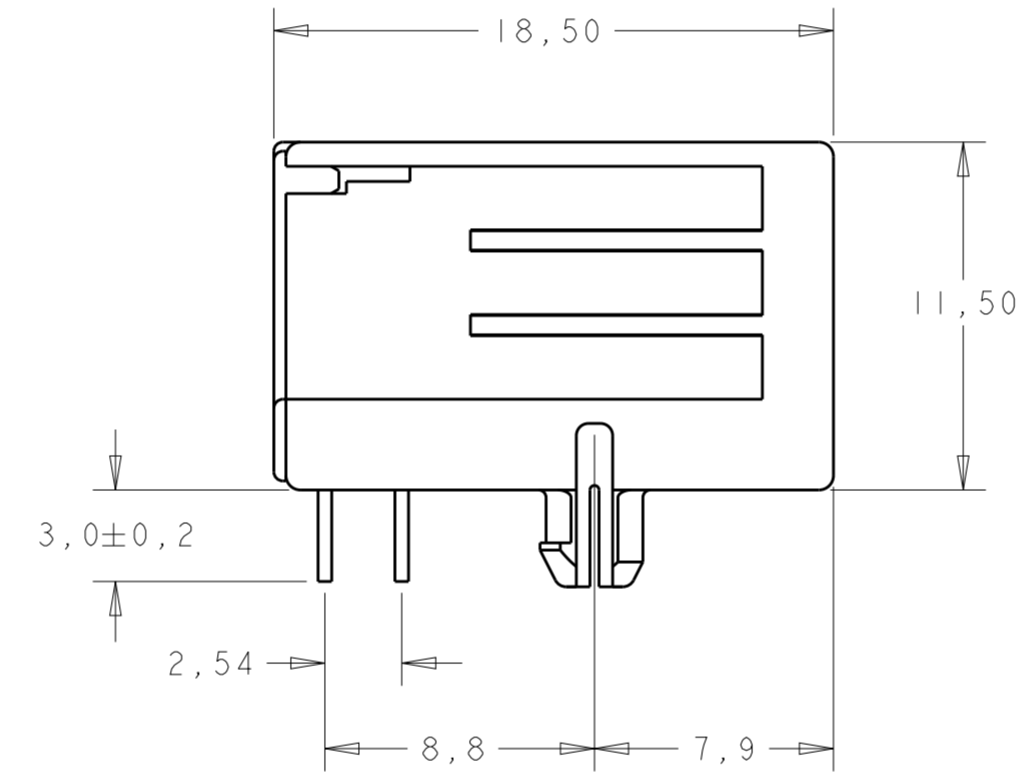
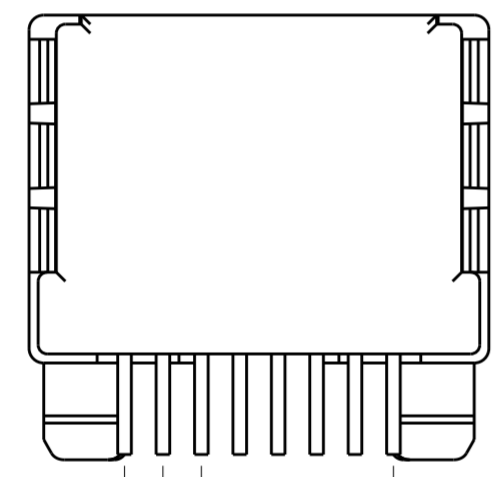
THIS DRAWING IS UNPUBLISHED. RELEASED FOR PUBLICATION  
 © COPYRIGHT - ALL RIGHTS RESERVED.

LOC	DIST	REVISIONS					
		P	LTR	DESCRIPTION	DATE	DWN	APVD
IR	-	-	-	SEE SHEET 1	-	-	-

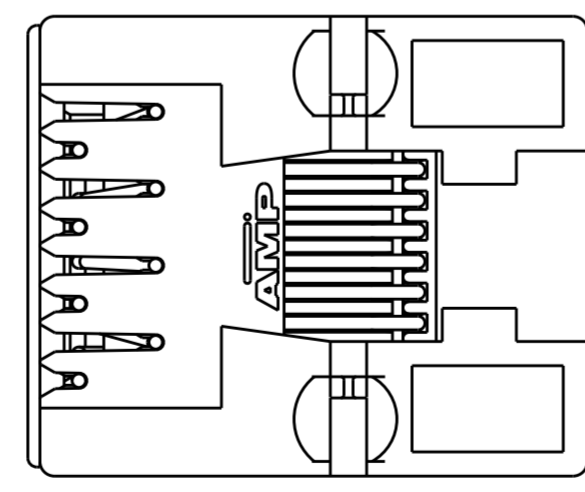
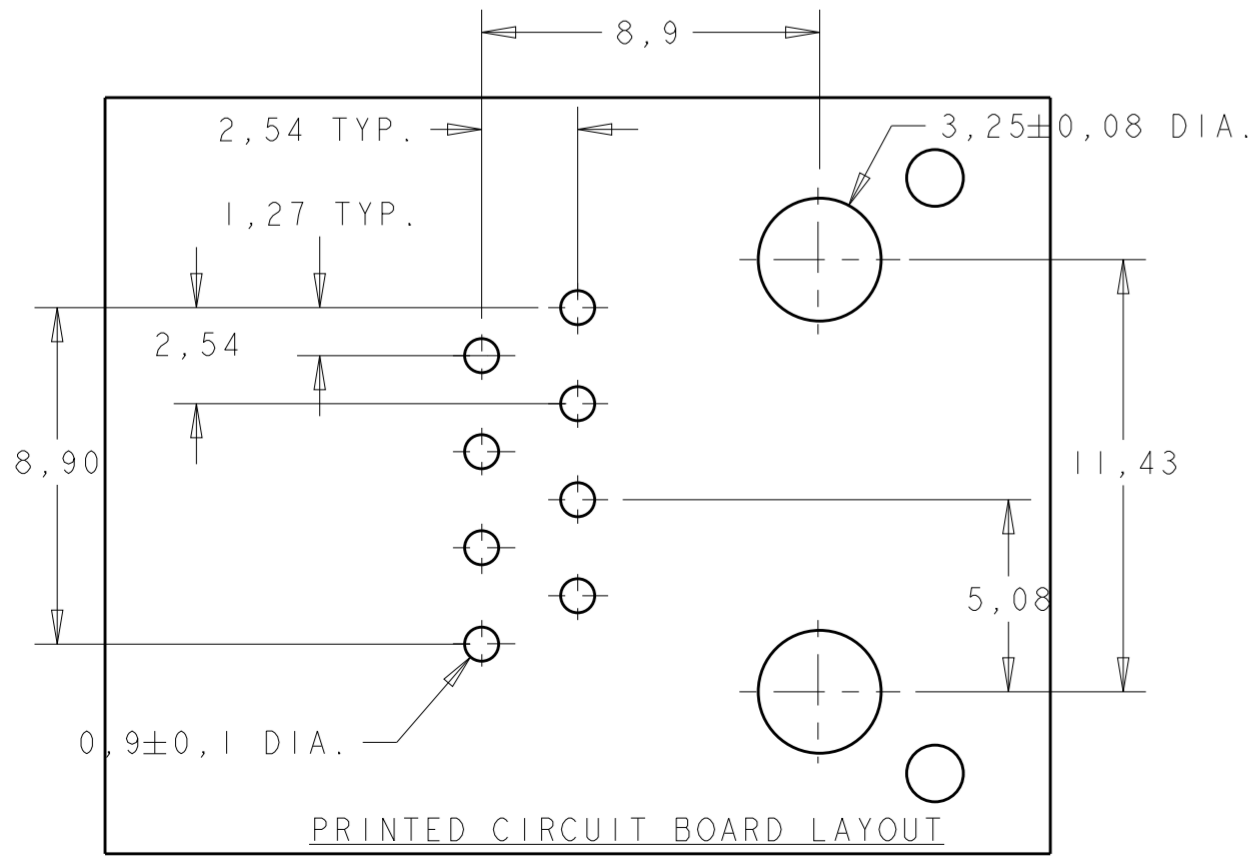


NOTES:

- 1 TOLERANCE UNLESS OTHERWISE SPECIFIED:  $\pm 0,15$ .
- 2 FOR THIS PACKAGING METHOD THE TRUE POSITION OF THE SOLDER TINES IS NOT GUARANTEED.



2,54  
 1,27 TYP.  
 8,9



PACKAGING	REMARKS	FINISH	MATERIAL	ORDER NUMBER	
1000 PIECES BULK PACKAGED				INACTIVE 5-215877-3 NOT TOOLED	
200 PIECES IN A TRAY	8 POS. / 8 CONTACTS		IN CONTACT AREA: 1,2µm MIN. SEL. GOLD OVER 1,2µm MIN. NICKEL. SOLDER TINES: 2,5µm MIN. TIN OVER 1,2µm MIN. NICKEL.	HOUSING COLOR: BLACK PBT, UL 94V-0 CONTACT INSERT: PBT, UL 94V-0 CONTACT COVER: BLACK PBT, UL 94V-0 CONTACTS: PH BRONZE	INACTIVE 5-215877-2 NOT TOOLED
TAPE MOUNTED 700 PCS./REEL				INACTIVE 5-215877-1 NOT TOOLED	

THIS DRAWING IS A CONTROLLED DOCUMENT.

DWN	E.v.Fijk	NAME	TE Connectivity	
CHK	M.v.Essen	PRODUCT SPEC	MODULAR JACK, 8 POS SIDE ENTRY FOR PRINTED CIRCUIT BOARD	
APVD	R.Smeets	APPLICATION SPEC	SIZE	CAGE CODE
		108-19064	A2	
		114-19019	DRAWING NO	RESTRICTED TO
			G-215877	
MATERIAL		WEIGHT	SCALE	SHEET
			4:1	2 OF 2
		CUSTOMER DRAWING		REV AFI

# Mouser Electronics

Authorized Distributor

Click to View Pricing, Inventory, Delivery & Lifecycle Information:

[TE Connectivity:](#)

[3-215877-1](#)