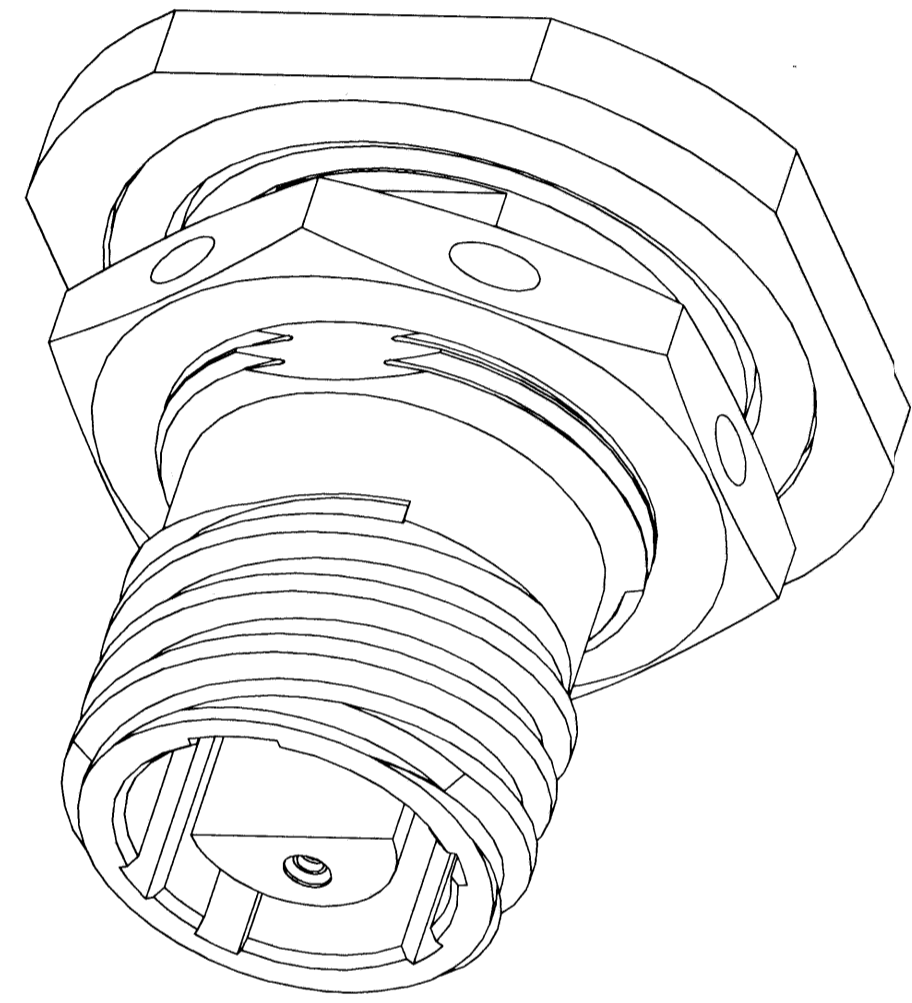


KIT PART NUMBER	CONNECTOR PART NUMBER	KIT TYPE	PCB PART NUMBER	CONTACTS QTY.	MS REF NUMBER
10-565997-322	91-565755-35P	II	10-407552-15	55	D38999/24FE35AN

REVISIONS			
LTR	DESCRIPTION	DATE	APPVD
A	INITIAL RELEASE NUM: <u>A2001-467</u>		

SEE NOTE 1



5. CONTACTS ARE NOT SUPPLIED FOR EXCESS CAVITIES.
4. PROCESS SPEC:
PROCESS SHEET CONTROL 9-4796
SPECIAL CONTROL 9-6000-2
3. PCB CONTACT STICKOUT LENGTH IS FROM REAR OF CONNECTOR SHELL IF APPLICABLE.
2. PACKAGE PER PRODUCTION PROCESS SHEET.
1. KIT TYPE I CONTACTS SHIPPED UNASSEMBLED.
KIT TYPE II CONTACTS SHIPPED ASSEMBLED IN CONNECTOR.



NOTES:
THE USE OF THIS DOCUMENT IS UNLIMITED.
HOWEVER, DOCUMENTS REFERENCED HEREON
MAY CONTAIN LIMITED RIGHTS DATA.

COMPANY ID: 9	CODED/MS/CUST: N	N/A
INTERNAL: N	LOT NO: N	
DATE CODE: N	SEE DRAW: N	N/A
STAMPING DATA		NEXT ASSEMBLY

UNLESS OTHERWISE SPECIFIED	SPECIFICATIONS	POS	QTY	PART NUMBER	DESCRIPTION	NOTE	
LINEAR DIMENSIONS ARE IN INCHES TOLERANCES: .XXXX = ±.0005 .XXX = ±.010 .XX = ±.03 .X = ±.1 ANGLES = ±2° OTHER STANDARDS PER 9-3800 AND DOD-D-1000 THIRD ANGLE PROJECTION	MATERIAL SPEC. N/A	APPROVALS		DATE	PARTS LIST		
	PROCESS SPEC. SEE NOTE 4	PREPARED	D. ALGER	11/29/01	AMPHENOL CORPORATION <small>BENDIX CONNECTOR OPERATIONS SIDNEY, N. Y.</small> CONNECTOR KIT, TYPE MS TV-AB STAMPING JAM NUT		
		CHECKED	<i>D. Jean</i>	11/30/01			
		MATERIAL	N/A PA	11/30/01			
APPROVED	<i>A. Jean</i>	11/30/01	SIZE	FSCM NO.			DOCUMENT NO.
	PROJENG INFORMATION MODEL NAME: DRAFT 10-565997-322			C	77820	10-565997-322	A
				SCALE: NONE	REF: N/A	SHEET 1 OF 1	

FAMCODES DATA3: CICS: 2071

T5K-19XX-XXX

10-565997-322

Mouser Electronics

Authorized Distributor

Click to View Pricing, Inventory, Delivery & Lifecycle Information:

[Amphenol:](#)

[10-565997-322](#)