	E480232
---	----------------

Features

- Fully Automotive Qualified to AEC-Q101
- For Surface Mount Applications
- Excellent Clamping Capability
- High Temp Soldering: 260°C / 10 Seconds At Terminals
- Halogen Free. "Green" Device (Note 1)
- Moisture Sensitivity Level 1
- Epoxy Meets UL 94 V-0 Flammability Rating
- Lead Free Finish/RoHS Compliant (Note 2) ("P" Suffix Designates RoHS Compliant. See Ordering Information)
- ESD protection of data lines in accordance with IEC 61000-4-2, ±30kV(Air), ±30kV (Contact)

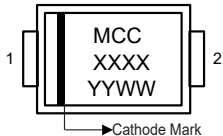
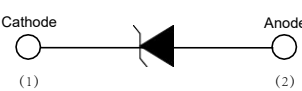


Maximum Ratings

Parameter	Symbol	Value	Unit
Peak Pulse Power Surge Current with a 10/1000µs Waveform (Note 3)	I_{PPM}	See Next Table	A
Peak Pulse Power Dissipation (Note 3)	P_{PPM}	600	W
Power Dissipation on Infinite Heatsink at $T_L = 75^\circ\text{C}$	P_D	5.0	W
Peak Forward Surge Current Unidirectional Only (Note 4)	I_{FSM}	100	A

Note:

1. Halogen free "Green" products are defined as those which contain <900ppm bromine, <900ppm chlorine (<1500ppm total Br + Cl) and <1000ppm antimony compounds.
2. High Temperature Solder Exemption Applied, see EU Directive Annex 7a.
3. Non-repetitive current pulse, per Fig.3 and derated above $T_A = 25^\circ\text{C}$ per Fig.4.
4. 8.3ms, single half sine wave duty cycle = 4 pulses per Minutes maximum.

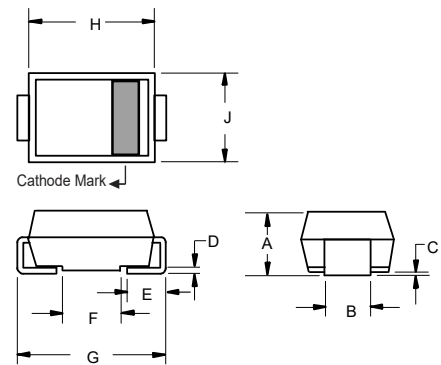
Internal Structure

Description	Simplified outline	Graphic symbol
Uni-directional		
Bi-directional		

XXXX = Marking code YYWW = Date Code

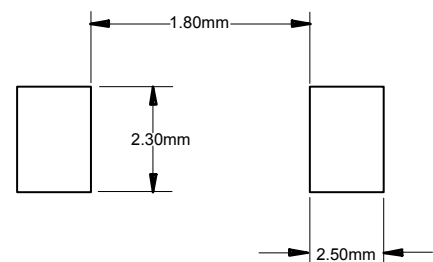
600Watt TVS 5.0 to 190 Volts

SMB (DO-214AA) (LEAD FRAME)



DIM	INCHES		MM		NOTE
	MIN	MAX	MIN	MAX	
A	0.079	0.103	2.00	2.62	
B	0.075	0.087	1.91	2.21	
C	0.002	0.008	0.05	0.20	
D	0.006	0.012	0.15	0.31	
E	0.030	0.060	0.76	1.52	
F	0.065	0.091	1.65	2.32	
G	0.200	0.220	5.08	5.59	
H	0.160	0.191	4.06	4.85	
J	0.130	0.155	3.30	3.94	

Suggested Solder Pad Layout



Thermal Characteristics

Parameter	Symbol	Value	Unit
Operating Junction Temperature Range	T_J	-55 to +175	$^{\circ}\text{C}$
Storage Temperature Range	T_{STG}	-55 to +175	$^{\circ}\text{C}$
Typical Thermal Resistance Junction to Lead	$R_{\theta\text{JL}}$	20	$^{\circ}\text{C}/\text{W}$
Typical Thermal Resistance Junction to Ambient	$R_{\theta\text{JA}}$	100	$^{\circ}\text{C}/\text{W}$
Typical Thermal Resistance Junction to Case	$R_{\theta\text{JC}}$	15	$^{\circ}\text{C}/\text{W}$

Note:

5. Mounted on 0.2 x 0.2" (5.0 x 5.0 mm) copper pads to each terminal.

Electrical Characteristics @ 25°C Unless Otherwise Specified

MCC Part Number		Working Peak Reverse Voltage	Breakdown Voltage V_{BR} @ I_T			Maximum Clamping Voltage @ I_{PP}	Maximum Reverse Surge Current	Maximum Reverse Leakage @ V_{RWM}	Device Marking Code	
(Uni)	(Bi)		Min (V)	Max (V)	I_T (mA)				V_C (V)	I_{PP} (A)
SMBJ5.0AQ	SMBJ5.0CAQ	5.0	6.40	7.07	10	9.2	65.2	800	KE	AE
SMBJ6.0AQ	SMBJ6.0CAQ	6.0	6.67	7.37	10	10.3	58.3	800	KG	AG
SMBJ6.5AQ	SMBJ6.5CAQ	6.5	7.22	7.98	10	11.2	53.6	500	KK	AK
SMBJ7.0AQ	SMBJ7.0CAQ	7.0	7.78	8.60	10	12.0	50.0	200	KM	AM
SMBJ7.5AQ	SMBJ7.5CAQ	7.5	8.33	9.21	1	12.9	46.5	100	KP	AP
SMBJ8.0AQ	SMBJ8.0CAQ	8.0	8.89	9.83	1	13.6	44.1	50	KR	AR
SMBJ8.5AQ	SMBJ8.5CAQ	8.5	9.44	10.40	1	14.4	41.7	10	KT	AT
SMBJ9.0AQ	SMBJ9.0CAQ	9.0	10.00	11.10	1	15.4	39.0	5	KV	AV
SMBJ10AQ	SMBJ10CAQ	10.0	11.10	12.30	1	17.0	35.3	5	KX	AX
SMBJ11AQ	SMBJ11CAQ	11.0	12.20	13.50	1	18.2	33.0	5	KZ	AZ
SMBJ12AQ	SMBJ12CAQ	12.0	13.30	14.70	1	19.9	30.2	5	LE	BE
SMBJ13AQ	SMBJ13CAQ	13.0	14.40	15.90	1	21.5	27.9	1	LG	BG
SMBJ14AQ	SMBJ14CAQ	14.0	15.60	17.20	1	23.2	25.9	1	LK	BK
SMBJ15AQ	SMBJ15CAQ	15.0	16.70	18.50	1	24.4	24.6	1	LM	BM
SMBJ16AQ	SMBJ16CAQ	16.0	17.80	19.70	1	26.0	23.1	1	LP	BP
SMBJ17AQ	SMBJ17CAQ	17.0	18.90	20.90	1	27.6	21.7	1	LR	BR
SMBJ18AQ	SMBJ18CAQ	18.0	20.00	22.10	1	29.2	20.6	1	LT	BT
SMBJ19AQ	SMBJ19CAQ	19.0	21.10	23.30	1	30.8	19.5	1	LU	BU
SMBJ20AQ	SMBJ20CAQ	20.0	22.20	24.50	1	32.4	18.5	1	LV	BV
SMBJ22AQ	SMBJ22CAQ	22.0	24.40	26.90	1	35.5	16.9	1	LX	BX
SMBJ24AQ	SMBJ24CAQ	24.0	26.70	29.50	1	38.9	15.4	1	LZ	BZ
SMBJ26AQ	SMBJ26CAQ	26.0	28.90	31.90	1	42.1	14.3	1	ME	CE
SMBJ28AQ	SMBJ28CAQ	28.0	31.10	34.40	1	45.4	13.2	1	MG	CG
SMBJ30AQ	SMBJ30CAQ	30.0	33.30	36.80	1	48.4	12.4	1	MK	CK
SMBJ33AQ	SMBJ33CAQ	33.0	36.70	40.60	1	53.3	11.3	1	MM	CM
SMBJ36AQ	SMBJ36CAQ	36.0	40.00	44.20	1	58.1	10.3	1	MP	CP
SMBJ40AQ	SMBJ40CAQ	40.0	44.40	49.10	1	64.5	9.3	1	MR	CR
SMBJ43AQ	SMBJ43CAQ	43.0	47.80	52.80	1	69.4	8.7	1	MT	CT
SMBJ45AQ	SMBJ45CAQ	45.0	50.00	55.30	1	72.7	8.3	1	MV	CV
SMBJ48AQ	SMBJ48CAQ	48.0	53.30	58.90	1	77.4	7.8	1	MX	CX
SMBJ51AQ	SMBJ51CAQ	51.0	56.70	62.70	1	82.4	7.3	1	MZ	CZ
SMBJ54AQ	SMBJ54CAQ	54.0	60.00	66.30	1	87.1	6.9	1	NE	DE
SMBJ58AQ	SMBJ58CAQ	58.0	64.40	71.20	1	93.6	6.4	1	NG	DG
SMBJ60AQ	SMBJ60CAQ	60.0	66.70	73.70	1	96.8	6.2	1	NK	DK
SMBJ64AQ	SMBJ64CAQ	64.0	71.10	78.60	1	103.0	5.8	1	NM	DM
SMBJ70AQ	SMBJ70CAQ	70.0	77.80	86.00	1	113.0	5.3	1	NP	DP
SMBJ75AQ	SMBJ75CAQ	75.0	83.30	92.10	1	121.0	5.0	1	NR	DR
SMBJ78AQ	SMBJ78CAQ	78.0	86.70	95.80	1	126.0	4.8	1	NT	DT
SMBJ80AQ	SMBJ80CAQ	80.0	88.80	97.60	1	129.6	4.6	1	NU	DU
SMBJ85AQ	SMBJ85CAQ	85.0	94.40	104.00	1	137.0	4.4	1	NV	DV
SMBJ90AQ	SMBJ90CAQ	90.0	100.00	111.00	1	146.0	4.1	1	NX	DX
SMBJ100AQ	SMBJ100CAQ	100.0	111.00	123.00	1	162.0	3.7	1	NZ	DZ
SMBJ110AQ	SMBJ110CAQ	110.0	122.00	135.00	1	177.0	3.4	1	PE	EE
SMBJ120AQ	SMBJ120CAQ	120.0	133.00	147.00	1	193.0	3.1	1	PG	EG
SMBJ130AQ	SMBJ130CAQ	130.0	144.00	159.00	1	209.0	2.9	1	PK	EK
SMBJ140AQ	SMBJ140CAQ	140.0	155.00	171.00	1	226.8	2.7	1	PL	EL
SMBJ150AQ	SMBJ150CAQ	150.0	167.00	185.00	1	243.0	2.5	1	PM	EM
SMBJ160AQ	SMBJ160CAQ	160.0	178.00	197.00	1	259.0	2.3	1	PP	EP
SMBJ170AQ	SMBJ170CAQ	170.0	189.00	209.00	1	275.0	2.2	1	PR	ER
SMBJ180AQ	SMBJ180CAQ	180.0	200.00	220.00	1	291.6	2.1	1	PT	ET
SMBJ190AQ	SMBJ190CAQ	190.0	211.00	232.00	1	307.8	2.0	1	PU	EU

Curve Characteristics

Fig. 1 - Peak Pulse Power Rating Curve

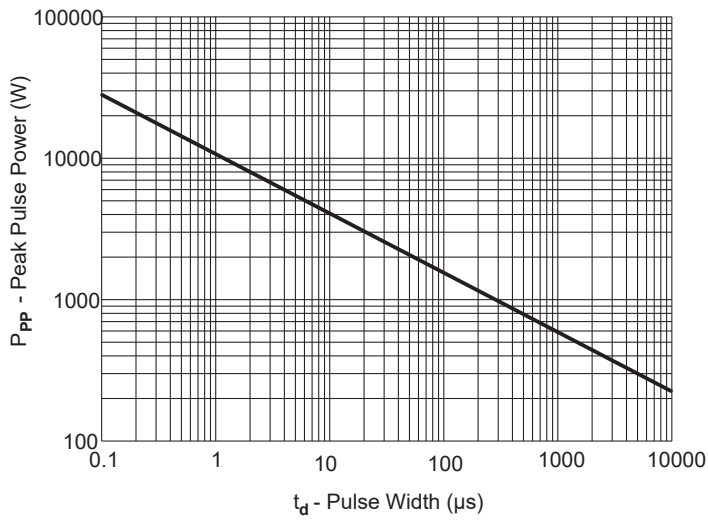


Fig. 2 - Typical Junction Capacitance

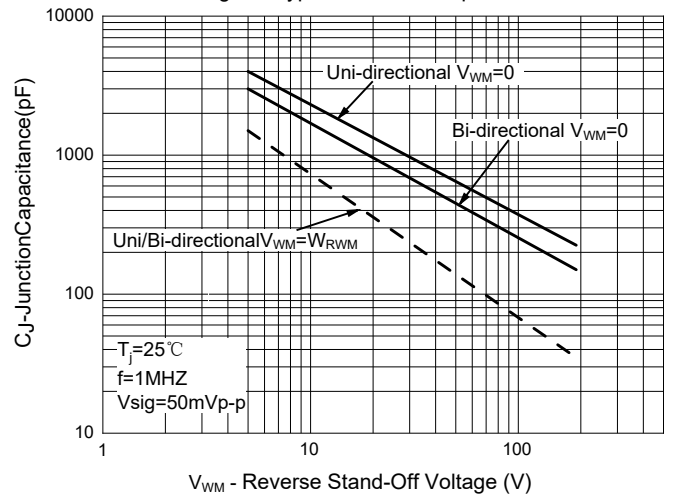


Fig. 3 - Pulse Waveform

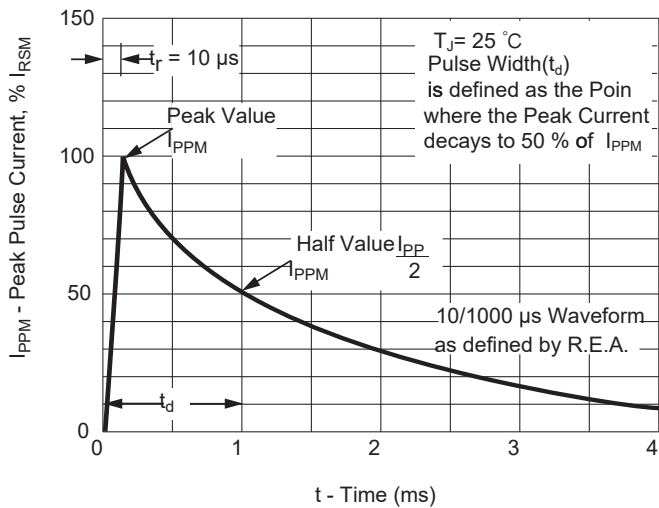
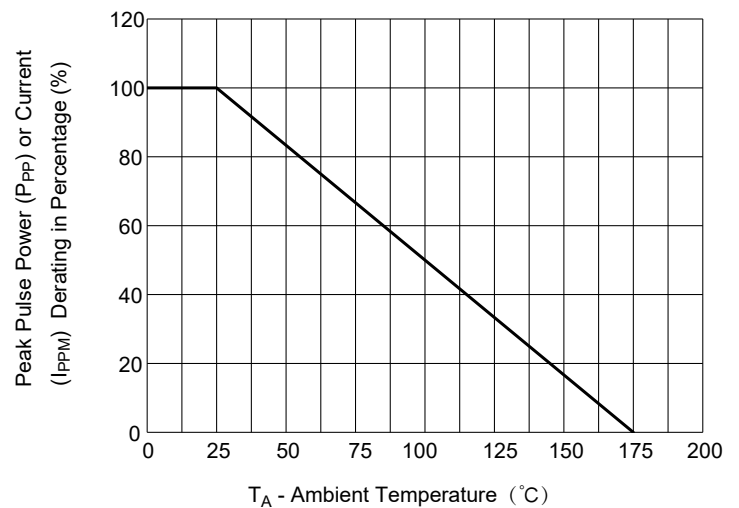


Fig. 4 - Pulse Derating Curve



Ordering Information

Device	Packing
Part Number-TP	Tape&Reel:3Kpcs/Reel

*****IMPORTANT NOTICE*****

Micro Commercial Components Corp. reserves the right to make changes without further notice to any product herein to make corrections, modifications, enhancements, improvements, or other changes. *Micro Commercial Components Corp.* does not assume any liability arising out of the application or use of any product described herein; neither does it convey any license under its patent rights, nor the rights of others. The user of products in such applications shall assume all risks of such use and will agree to hold *Micro Commercial Components Corp.* and all the companies whose products are represented on our website, harmless against all damages. *Micro Commercial Components Corp.* products are sold subject to the general terms and conditions of commercial sale, as published at <https://www.mccsemi.com/Home/TermsAndConditions>.

*****LIFE SUPPORT*****

MCC's products are not authorized for use as critical components in life support devices or systems without the express written approval of Micro Commercial Components Corporation.

*****CUSTOMER AWARENESS*****

Counterfeiting of semiconductor parts is a growing problem in the industry. Micro Commercial Components (MCC) is taking strong measures to protect ourselves and our customers from the proliferation of counterfeit parts. MCC strongly encourages customers to purchase MCC parts either directly from MCC or from Authorized MCC Distributors who are listed by country on our web page cited below. Products customers buy either from MCC directly or from Authorized MCC Distributors are genuine parts, have full traceability, meet MCC's quality standards for handling and storage. **MCC will not provide any warranty coverage or other assistance for parts bought from Unauthorized Sources.** MCC is committed to combat this global problem and encourage our customers to do their part in stopping this practice by buying direct or from authorized distributors.