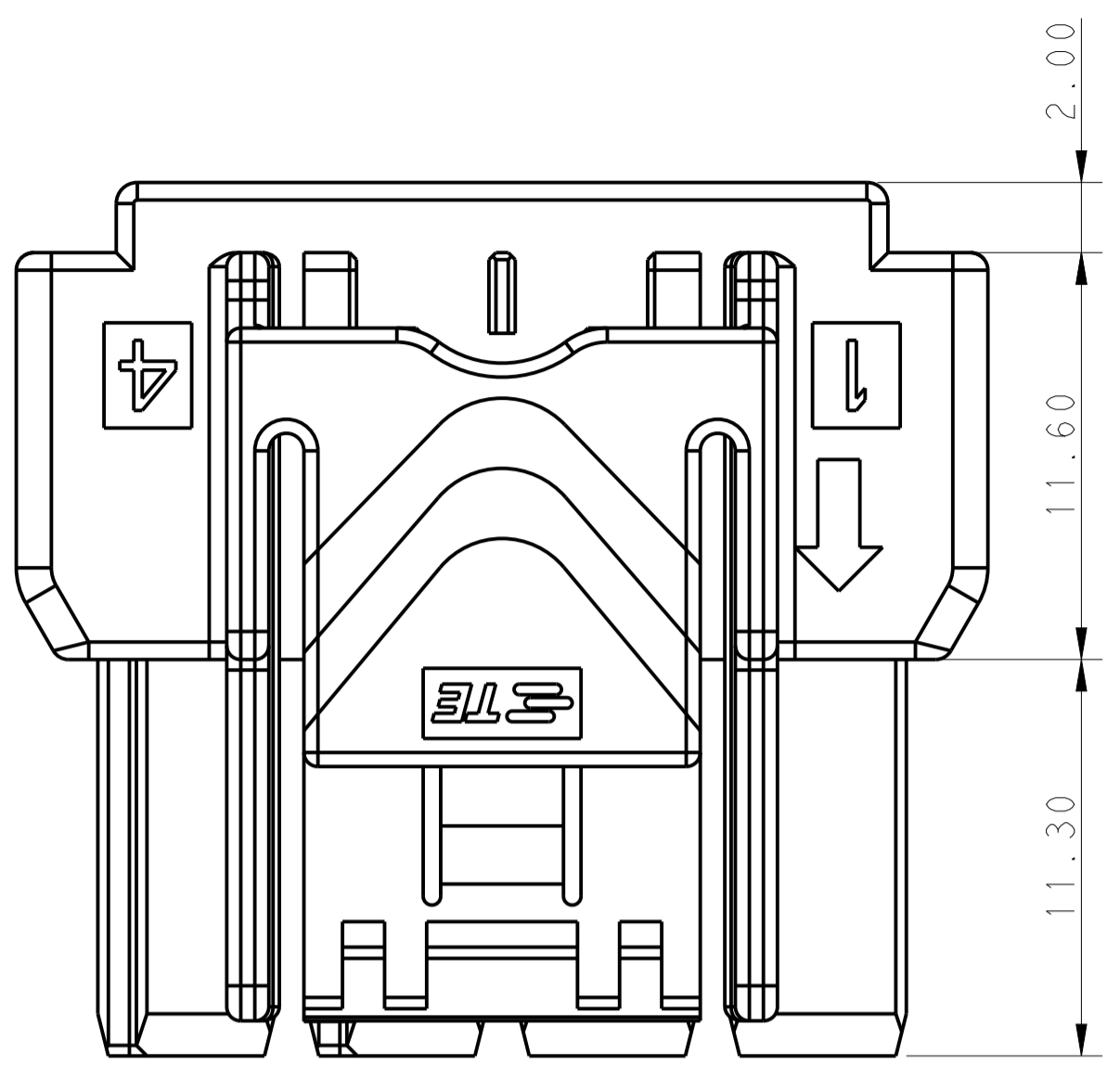
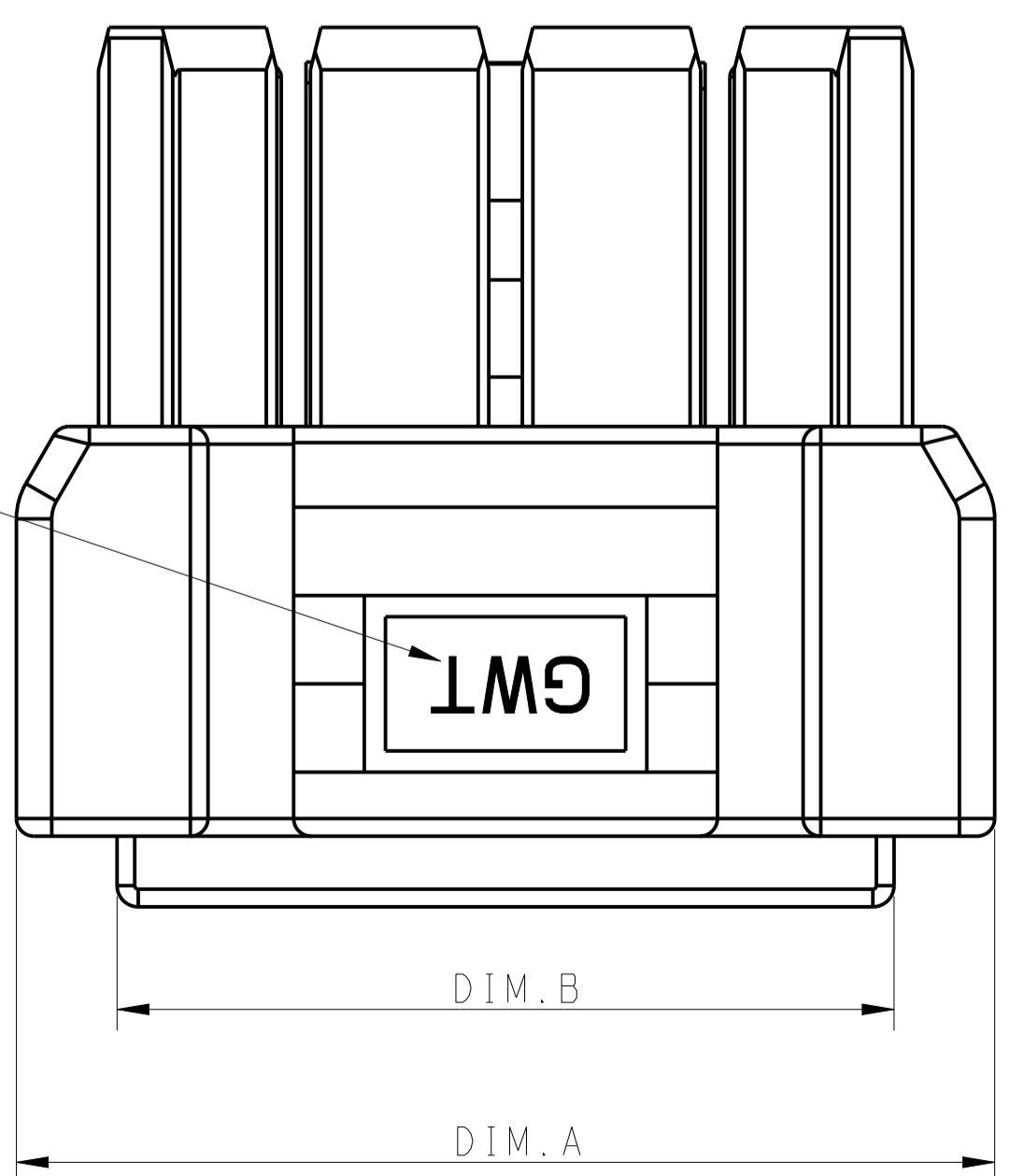
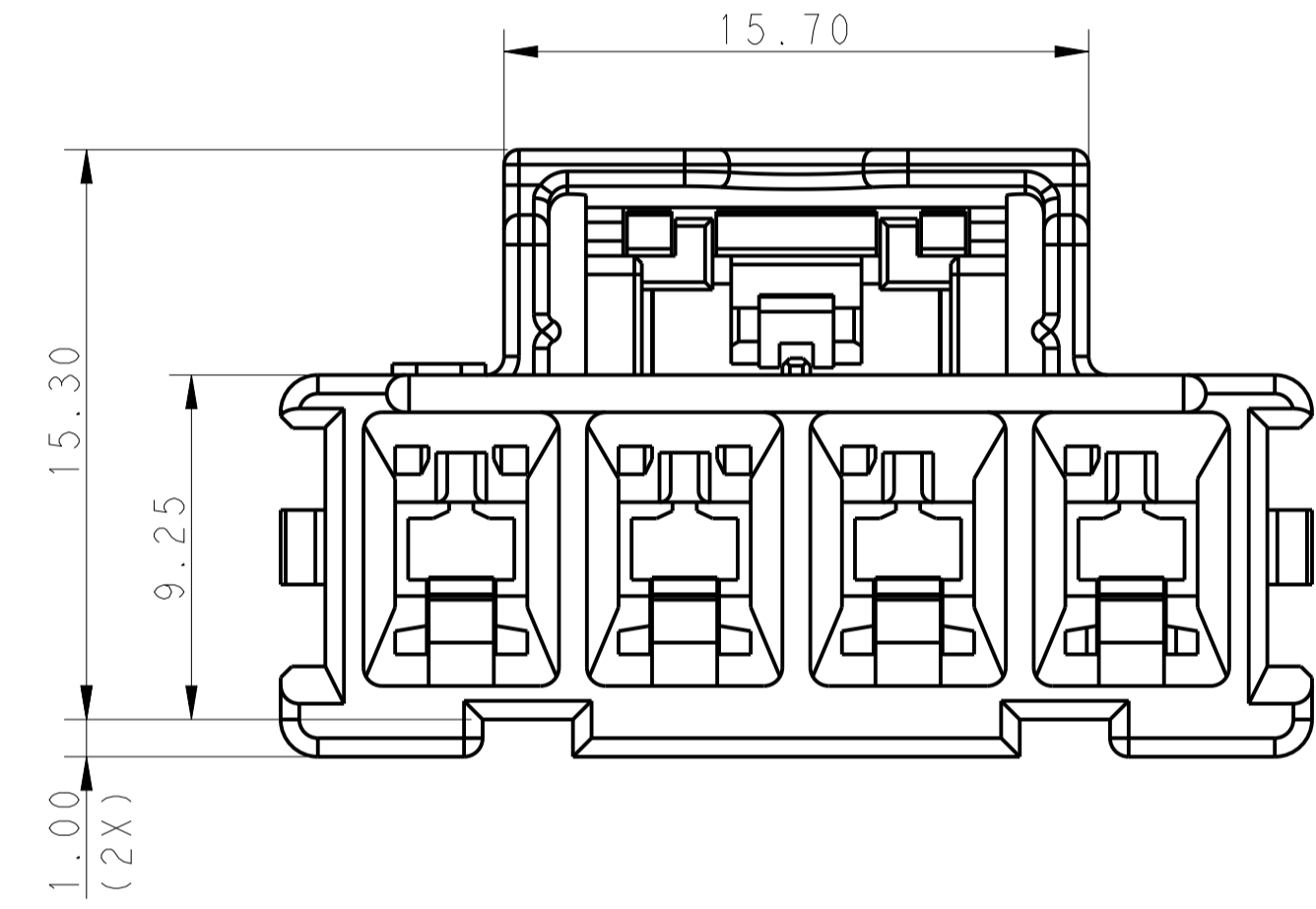
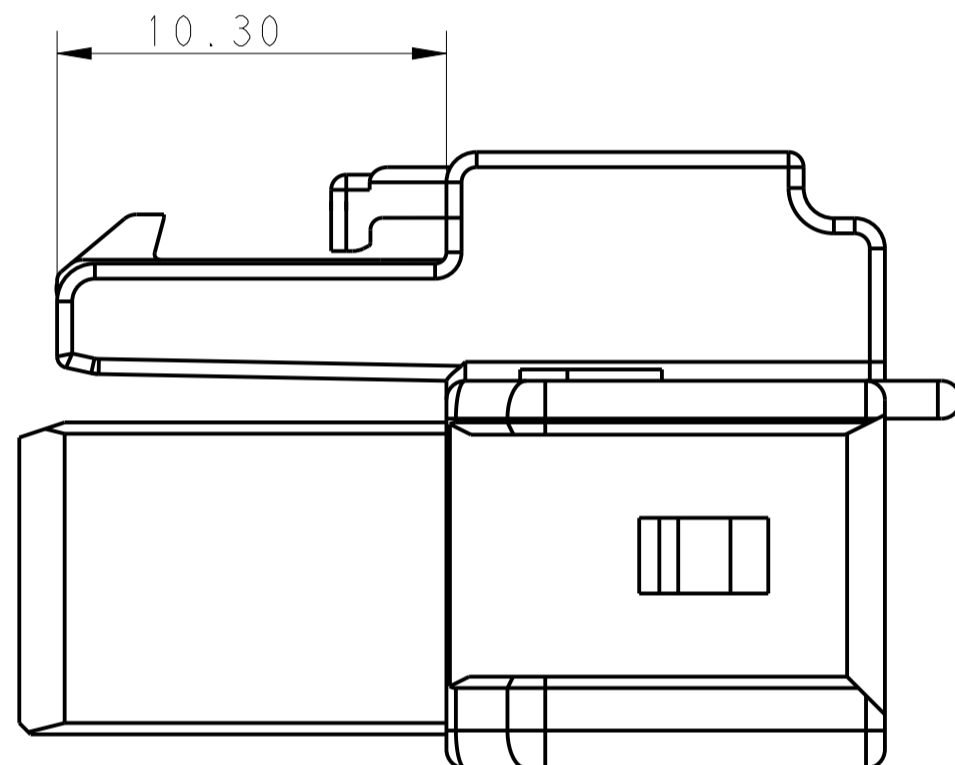
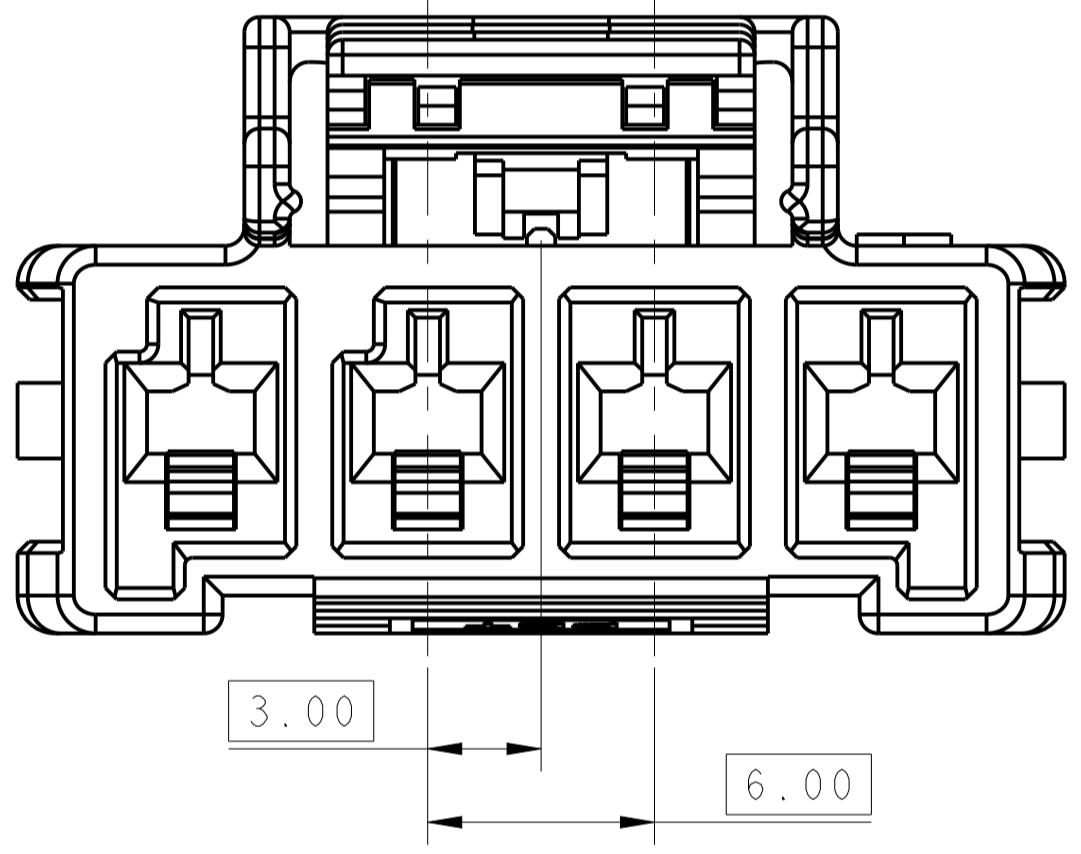


LOC		DIST		REVISIONS			
P	LTN	DESCRIPTION	DATE	DWN	APVD		
D		REVISED PER ECR-21-100678	08APR2021	SS	VS		



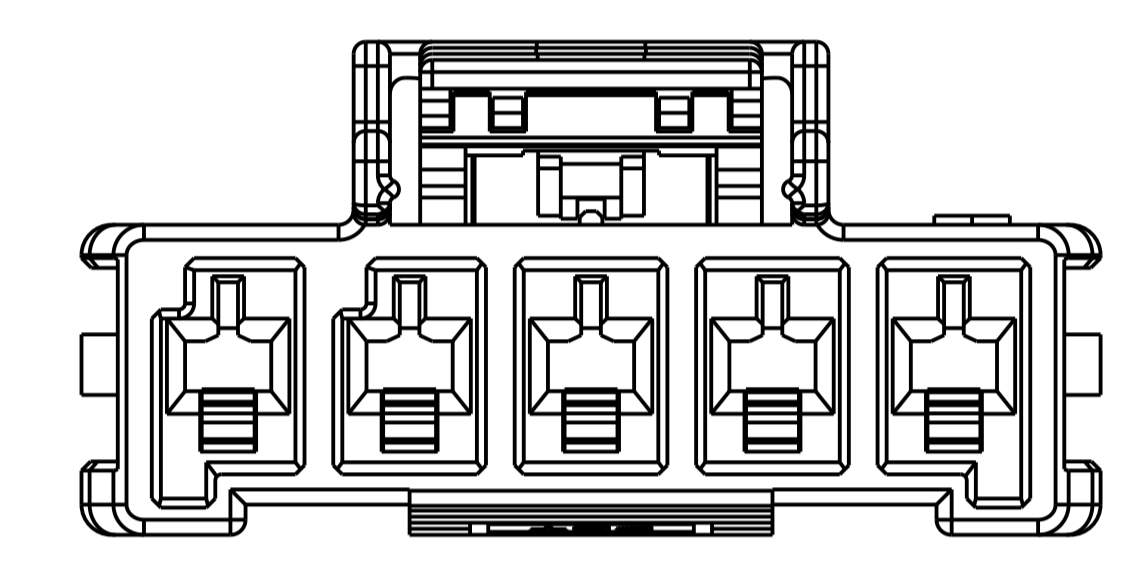
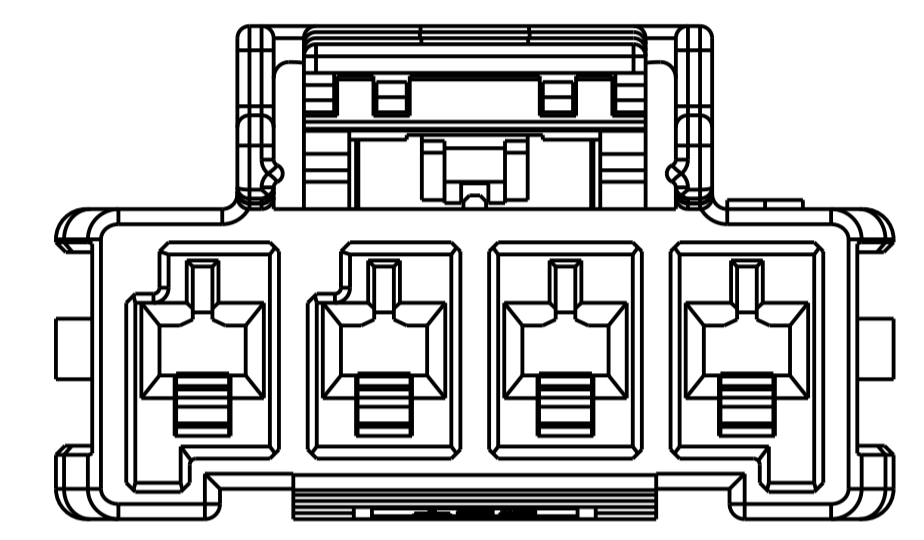
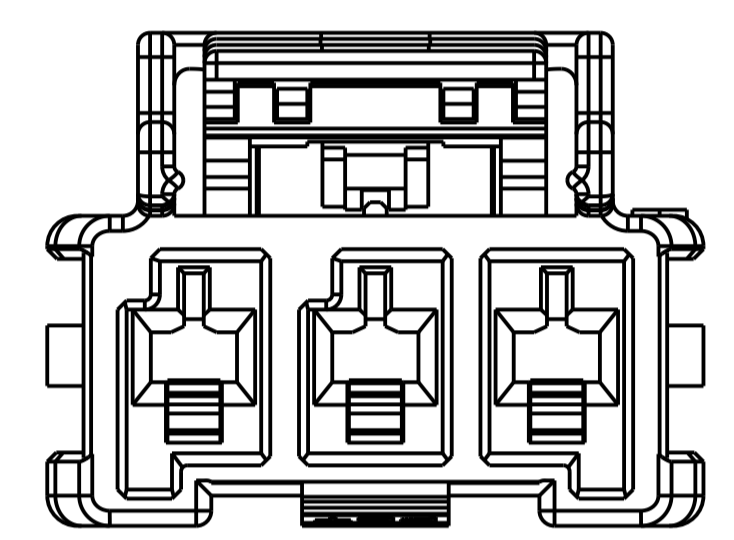
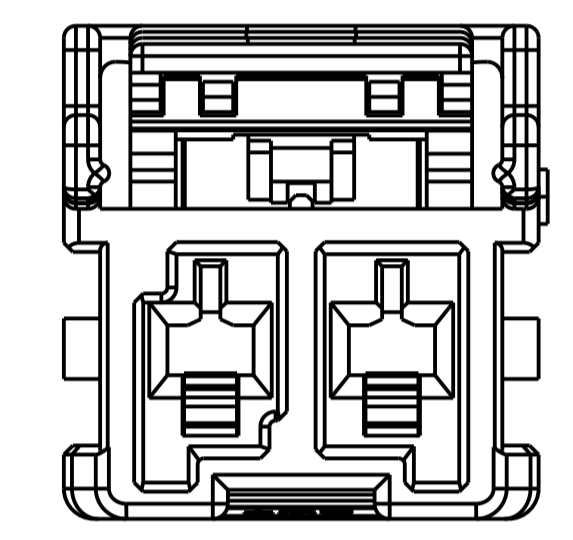
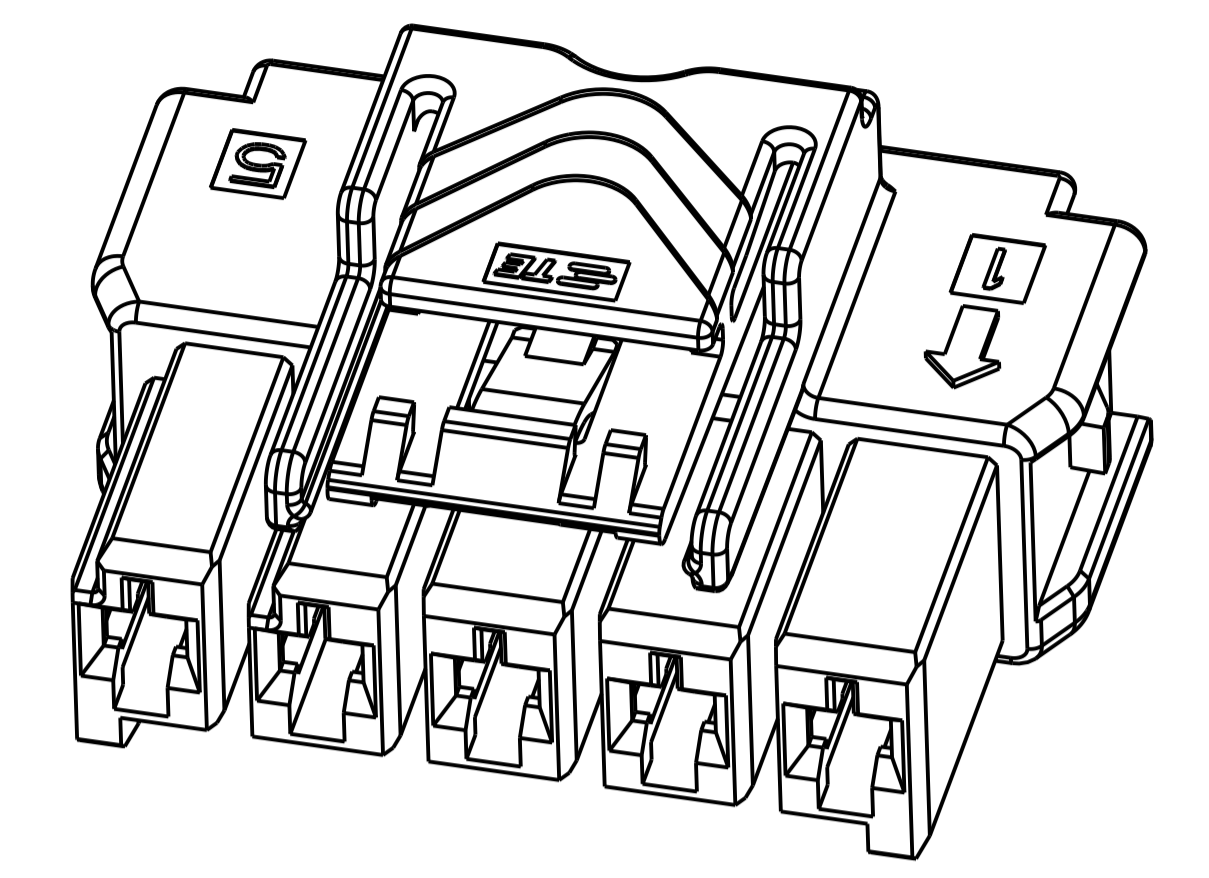
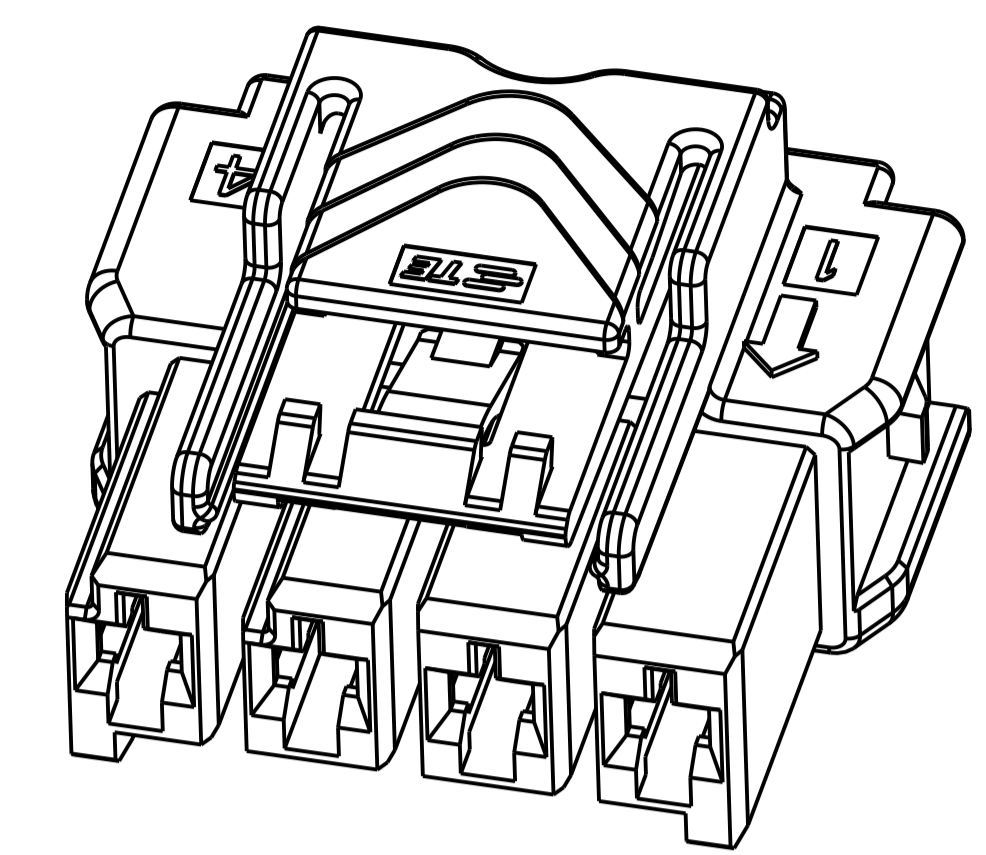
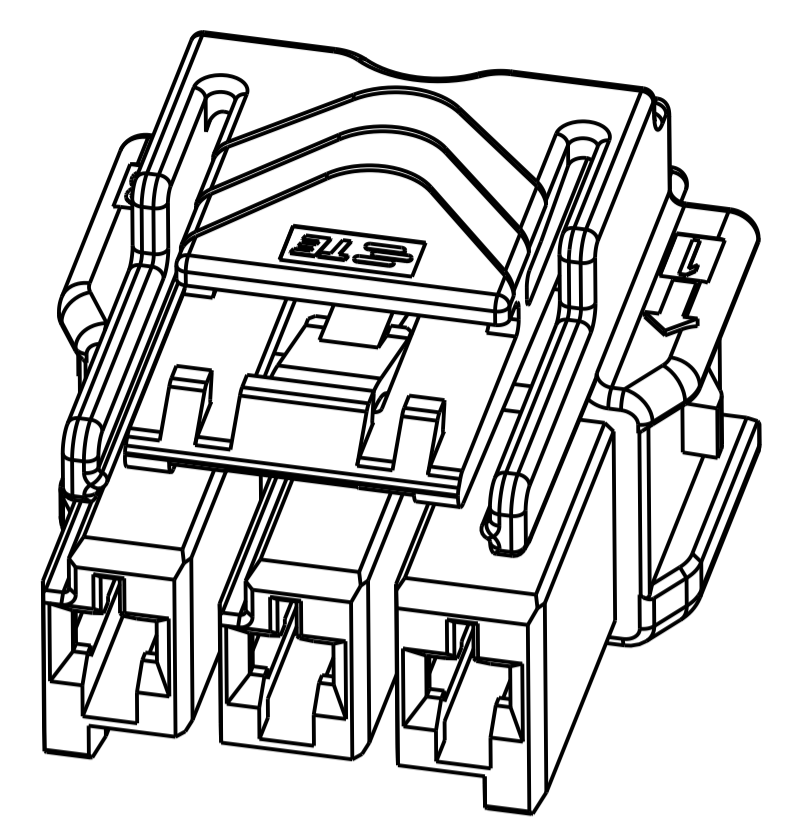
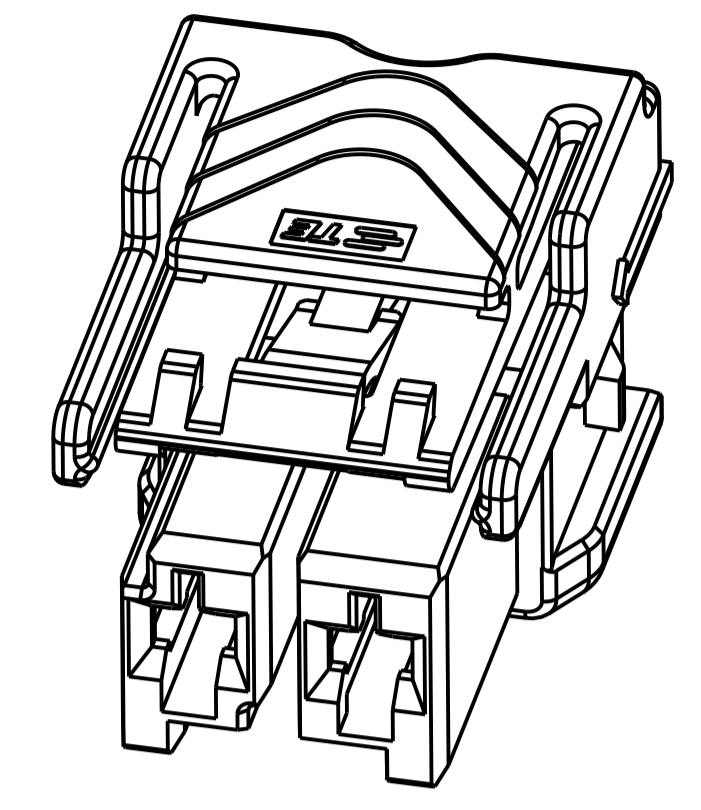
POS.	DIM. A	DIM. B
1*5	33.70	28.00
1*4	27.70	22.00
1*3	21.70	16.00
1*2	15.70	10.00



NOTE  
 1. MATERIAL:  
 LEVEL A: PA6, COMPLY WITH GLOW WIRE REQUIREMENTS FOR PARTS OF NON-METALLIC MATERIAL SUPPORTING A CURRENT-CARRYING CONNECTION DETAILED IN IEC 60335-1, SECTION 30 (GWT), UL 94V-0  
 LEVEL B: PBT, HOT WIRE IGNITION (HWI) VERSION ARE MOLDED IN A RESIN THAT COMPLIES WITH TE HOT WIRE IGNITION TEST 109-32026 AND ARE RECOMMENDED FOR USE WITH HWI HOUSINGS THAT ALSO COMPLY, UL 94V-0  
 2. MATERIAL MARK:  
 LEVEL A: GWT, LEVEL B: HWT  
 3. APPLICABLE CONTACT P/N  
 REC CONTACT: 1971237/1971779/81/83/85/87-\*  
 4. MATING CONN. P/N  
 CAP HSG: \*-2232358/263-\*  
 TPA: \*-1971777-\*

THIS DRAWING IS A CONTROLLED DOCUMENT.		DWN	26MAR2013	<b>TE</b> TE Connectivity
DIMENSIONS:		CHK	26MAR2013	
TOLERANCES UNLESS OTHERWISE SPECIFIED:		APVD	26MAR2013	
mm		NAME	YIHONG MAO	
0 PLC	±	PRODUCT SPEC	108-106118	PLUG HOUSING, SINGLE ROW POWER TRIPLE LOCK
1 PLC	±0.35	APPLICATION SPEC	114-106118	
2 PLC	±0.25	SIZE	A100779	C=2232265
3 PLC	±	WEIGHT		
4 PLC	±	RESTRICTED TO		
ANGLES	±	SCALE		
MATERIAL	SEE TABLE	SHEET	1	OF
		REV	2	

LOC		DIST		REVISIONS			
				DESCRIPTION	DATE	OWN	APVD
				SEE SHEET 1			

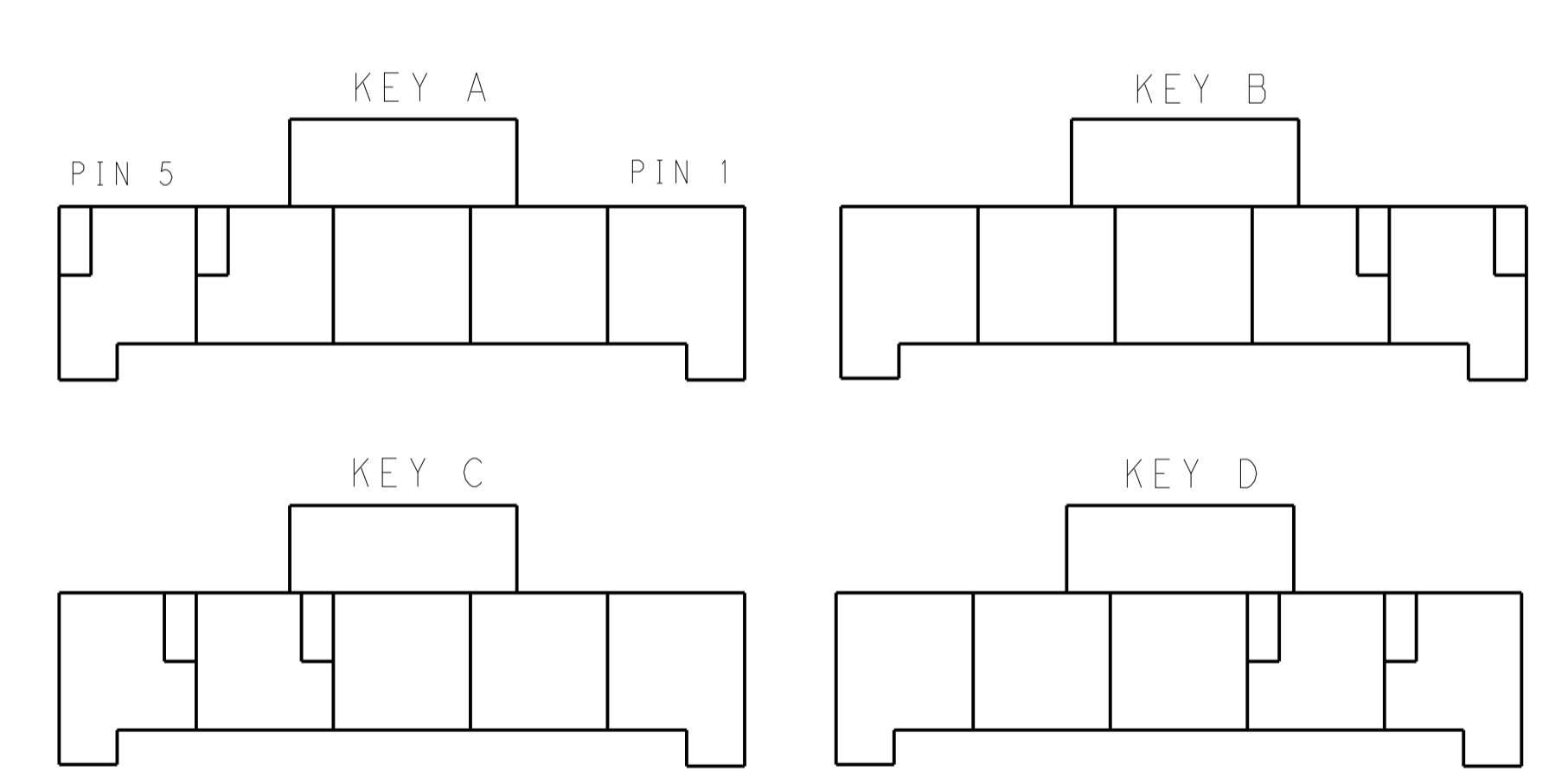
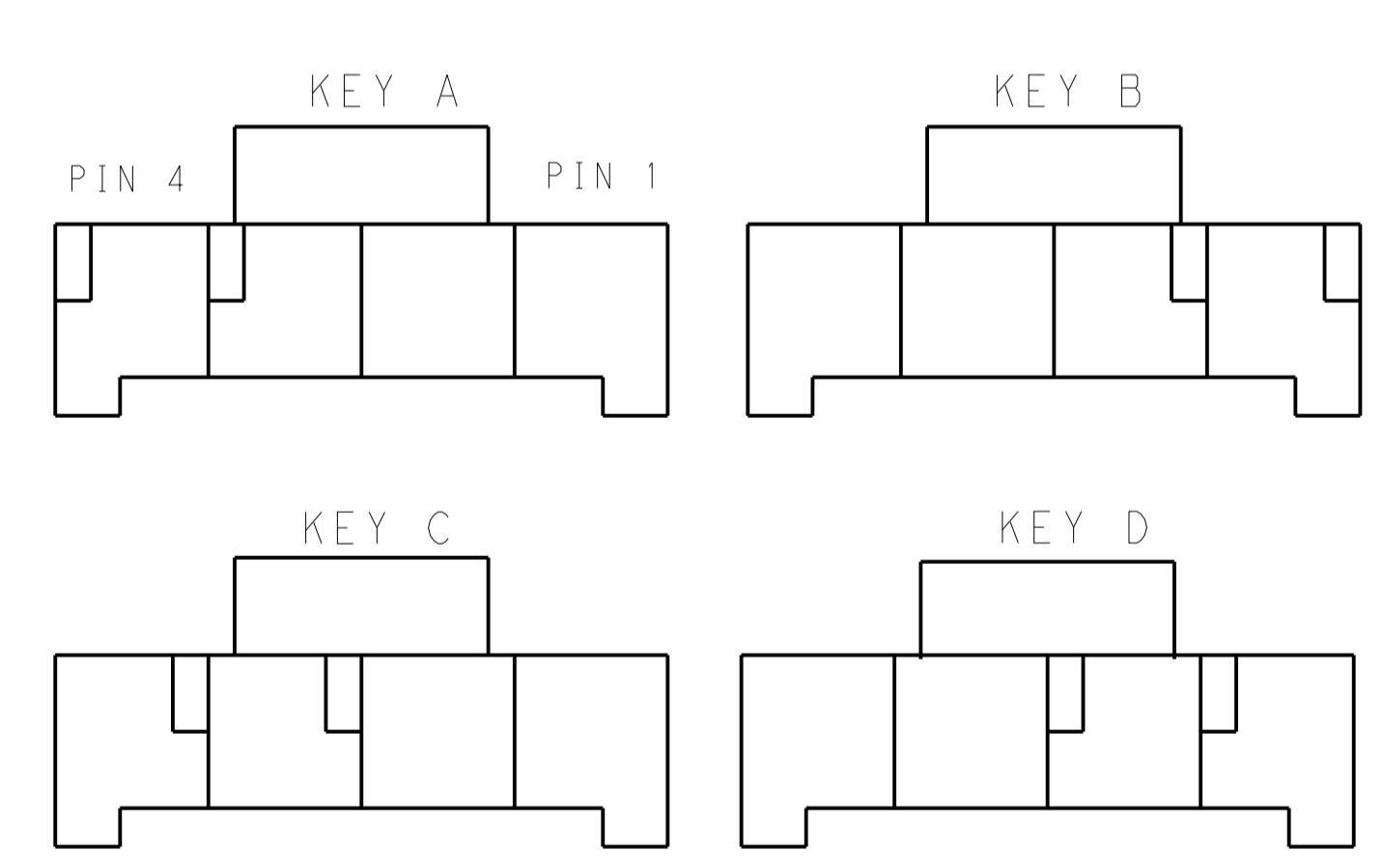
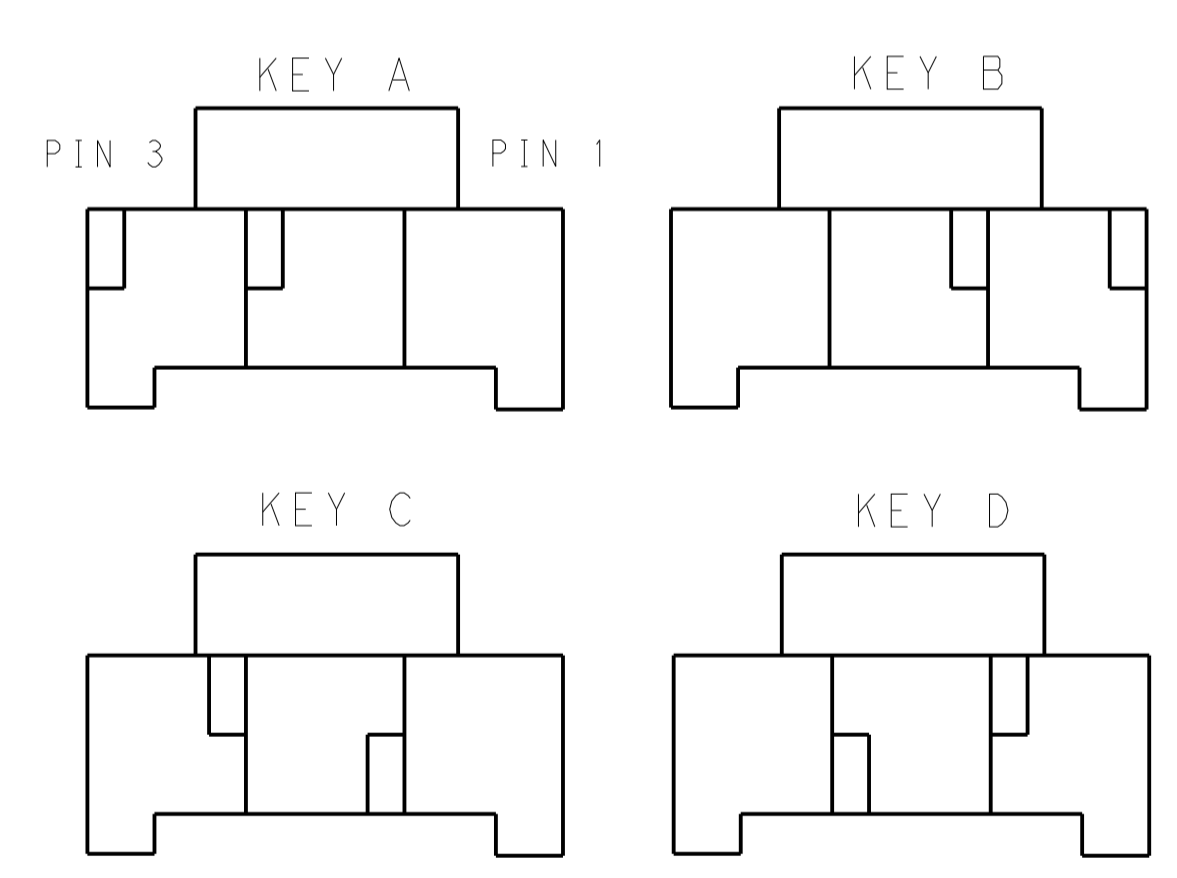
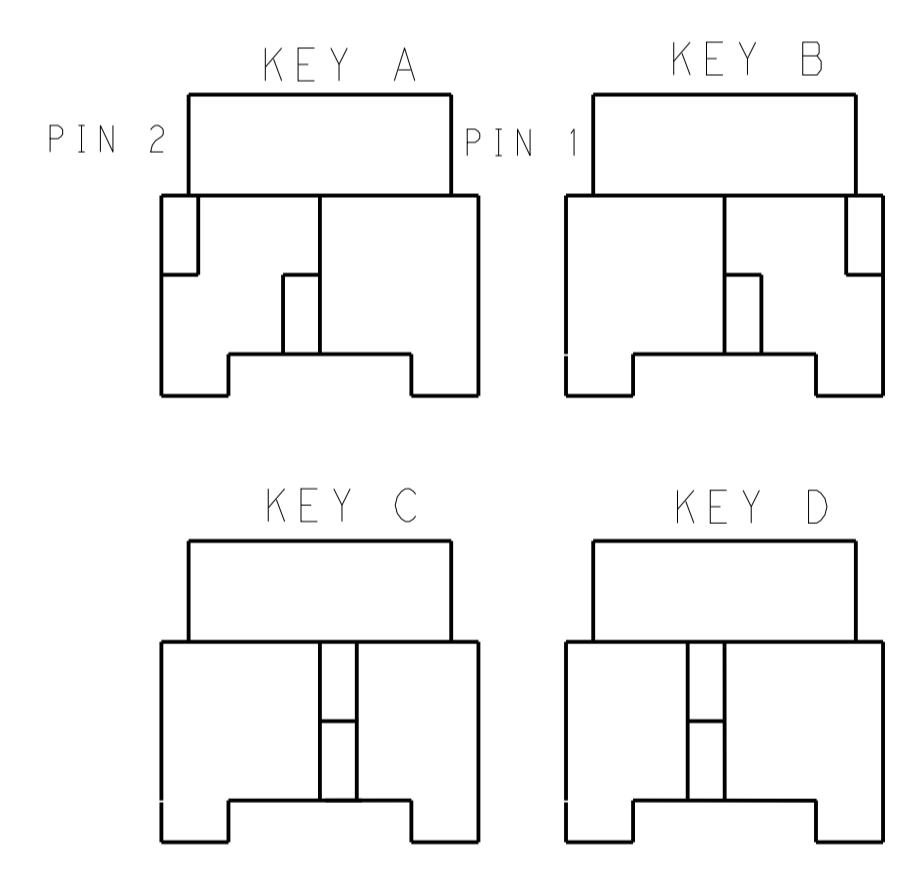


1\*2 POSITIONS

1\*3 POSITIONS

1\*4 POSITIONS

1\*5 POSITIONS



KEYING FOR 1\*2 POS.

KEYING FOR 1\*3 POS.

KEYING FOR 1\*4 POS.

KEYING FOR 1\*5 POS.

POS.	MATERIAL	COLOR	KEY	P/N
1*5	LEVEL A	DARK GREY	KEY A	5-2232265-7
		BROWN	KEY B	6-2232265-7
		GREEN	KEY C	7-2232265-7
		ORANGE	KEY D	8-2232265-7
1*4	LEVEL B	BLACK	KEY A	1-2232265-3
		DARK GREY	KEY A	5-2232265-4
		BROWN	KEY B	6-2232265-4
		GREEN	KEY C	7-2232265-4
1*3	LEVEL A	ORANGE	KEY D	8-2232265-4
		BLACK	KEY A	1-2232265-2
		DARK GREY	KEY A	5-2232265-3
		BROWN	KEY B	6-2232265-3
1*2	LEVEL A	GREEN	KEY C	7-2232265-3
		ORANGE	KEY D	8-2232265-3
		NATURAL	KEY B	2-2232265-1
		BLACK	KEY A	1-2232265-1

THIS DRAWING IS A CONTROLLED DOCUMENT.

DIMENSIONS:	TOLERANCES UNLESS OTHERWISE SPECIFIED:	OWN: TOMMY WU 26MAR2013	TE Connectivity PLUG HOUSING, SINGLE ROW POWER TRIPLE LOCK
mm	0 PLC ±0.35	CHK: HAPYE WU 26MAR2013	
	1 PLC ±0.25	APVD: YUZHONG MAO 26MAR2013	
	2 PLC ±0.15		
MATERIAL: SEE TABLE	FINISH: -	PRODUCT SPEC: 108-106118	SIZE: CAGE CODE DRAWING NO: 114-106118
		APPLICATION SPEC: -	RESTRICTED TO: -
		WEIGHT: -	A100779C=2232265
		Customer Drawing	SCALE: - SHEET 2 OF 2 REV D

# Mouser Electronics

Authorized Distributor

Click to View Pricing, Inventory, Delivery & Lifecycle Information:

[TE Connectivity:](#)

[6-2232265-4](#)