

Standard



Image for illustrative purpose only

Summary

[Request a quote](#)

BKT series

Number of contacts Low Voltage	6
Gender	Standard
Socket / Receptacle	Socket / Receptacle - Fixed Panel Rear Mounted
Locking system	Push-pull
Panel Drill Hole	M16
Size	1K
Suggested matching part	FGG.1K.306.CLAC50Z
Series	K - Outdoor keyed

https://www.lemo.com/int_en/solutions/originals/k-outdoor-keyed/eeg-1k-306-cln.html

LEMO products and services are provided "as is". LEMO makes no warranties or representations with regard to LEMO product & services or use of them, express, implied or statutory, including for accuracy, completeness, or security. The user is fully responsible for his products and applications using LEMO components.

Technical details

Electrical Configuration

Number of contacts Low Voltage	6
Contact Termination Low voltage	PCB - Straight
R (max)	6.1 mOhm
Insert configuration value	1K.306 - 6 Low Voltage
Footprint IPC Class3 compatibility	Yes
Class3 Productibility Level Compatibility	A (General Design Producibility - Preferred)
Insulator	L: PEEK (UL 94 / V-0/1.5)
Rated current	7 A
Vtest (contact-contact)	1.5 kV (DC)
Vtest (contact-shell)	1.7 kV (DC)
Contact Dia.	0.7 mm (0.028in)
Gender	Standard

Form & Material

Shell style / Model id	EE - Fixed receptacle, nut fixing, with straight contacts for printed circuit (back panel mounting)
Socket / Receptacle	Fixed Panel Rear Mounted
Housing material	Brass (chrome plated [SAE AMS 2460]) shell, collet nut and latch sleeve, nickel plated [SAE AMS QQ N 290] brass mid pieces
Locking system	Push-pull
Keying	G: 1 key (alpha=0, plug: male contacts, receptacle: female contacts)
Colour	Grey
Weight	19.16 g
Panel Drill Hole	M16

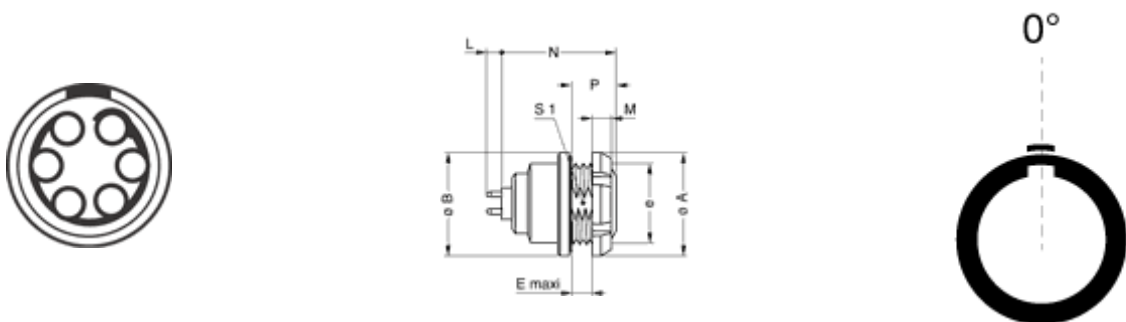
https://www.lemo.com/int_en/solutions/originals/k-outdoor-keyed/eeg-1k-306-cln.html

LEMO products and services are provided "as is". LEMO makes no warranties or representations with regard to LEMO product & services or use of them, express, implied or statutory, including for accuracy, completeness, or security. The user is fully responsible for his products and applications using LEMO components.

Environment

Technical domain	Audio Video, Energy and Industrial, Medical, Test and Measurement
Environmental sealing (IP rating)	IP68
Endurance	5000 mating cycles
Temperature range	-55°C / +200°C (max. temperature valid for short periods of use.)
Climatic Category	50/175/21
Humidity (max)	<=95% [at 60 deg C /140 F]
Shielding (min)	95 dB (10 MHz)
Shielding (min)	80 dB (1 GHz)
Shock Resistance	100 g [6 ms]
Vibration	15 g [10 Hz - 2000 Hz]
Salt Spray Corrosion	>1000 hr

Drawings



Dimensions

	N	M	P	e	B	A	S1	E
mm.	23.8	3.5	10	M16x1.0	20	20	14.5	6.2
in.	0.94	0.14	0.39		0.79	0.79	0.57	0.24

https://www.lemo.com/int_en/solutions/originals/k-outdoor-keyed/eeg-1k-306-cln.html

LEMO products and services are provided "as is". LEMO makes no warranties or representations with regard to LEMO product & services or use of them, express, implied or statutory, including for accuracy, completeness, or security. The user is fully responsible for his products and applications using LEMO components.

Recommended By Lemo

Accessories

Compatible cap [BRE.1K.200.NAS](#)

Tools

Spanner 2 [DCM.65.176.AZ6](#)

Spanner wrench [Socket for torque wrench DCM.1E.M16.6](#)

CAD

Documents

PCB [Download](#)

PCB Eagle [Download](#)

Kicad [Download](#)

PCB Altium [Download](#)

https://www.lemo.com/int_en/solutions/originals/k-outdoor-keyed/eeg-1k-306-cln.html

LEMO products and services are provided "as is". LEMO makes no warranties or representations with regard to LEMO product & services or use of them, express, implied or statutory, including for accuracy, completeness, or security. The user is fully responsible for his products and applications using LEMO components.