

SURFACE MOUNT SCHOTTKY BARRIER RECTIFIER

VOLTAGE 100Volts CURRENT 2.0 Amperes

FEATURES

- * Low power loss, high efficiency
- * Low leakage
- * Low forward voltage drop
- * High current capability
- * High speed switching
- * High surge capability
- * High reliability
- * Guard ring construction on dic

MECHANICAL DATA

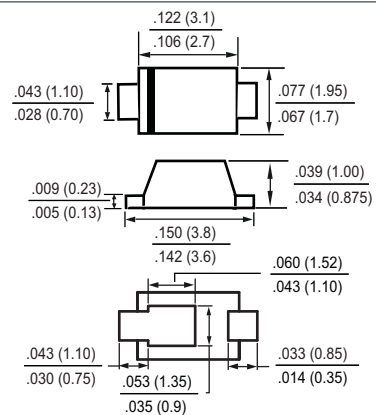
- * Epoxy: Device has UL flammability classification 94V-0
- * Mounting position: Any
- * Weight: 0.01 gram (Approx.)
- * Flat lead frame

MAXIMUM RATINGS AND ELECTRICAL CHARACTERISTICS

Ratings at 25 °C ambient temperature unless otherwise specified.
resistive or inductive load.



SOD-123FL



Dimensions in inches and (millimeters)

MAXIMUM RATINGS (@ TA=25 °C unless otherwise noted)

RATINGS	SYMBOL	2SS100L	UNITS
Maximum Recurrent Peak Reverse Voltage	V _{RRM}	100	Volts
Maximum RMS Voltage	V _{RMS}	70	Volts
Maximum DC Blocking Voltage	V _{DC}	100	Volts
Maximum Average Forward Rectified Current @ T _C =75 °C	I _O	2.0	Amps
Peak Forward Surge Current 8.3 ms single half sine-wave superimposed on rated load (JEDEC method)	I _{FSM}	60	Amps
Current Squared Time	I ² t	14.94	A ² /Sec
Typical Thermal Resistance (Note 3)	R _{θJA}	59	°C/W
	R _{θJL}	44	
Operating Temperature Range	T _J	-55 to + 150	°C
Storage Temperature Range	T _{STG}	-55 to + 150	°C
Total Capacitance (Note 1)	C _T	75	pF

ELECTRICAL CHARACTERISTICS(@TA=25 °C unless otherwise noted)

CHARACTERISTICS	SYMBOL	2SS100L	UNITS
Maximum Instantaneous Forward Voltage at 2.0A DC	V _F	0.85	Volts
Maximum Average Reverse Current at Rated DC Blocking Voltage	@TA = 25°C	2	μAmps
	@TA = 150 °C	0.2	mAmps

- NOTES : 1. Measured at 1 MHz and applied reverse voltage of 4 Volts.
2. " ROHS compliant" .
3. Thermal Resistance: Mounted on PCB.
4. Available in Halogen-free epoxy by adding suffix -HF after the part nbr.

2022-10
REV: F

RATING AND CHARACTERISTICS CURVES (2SS100L)

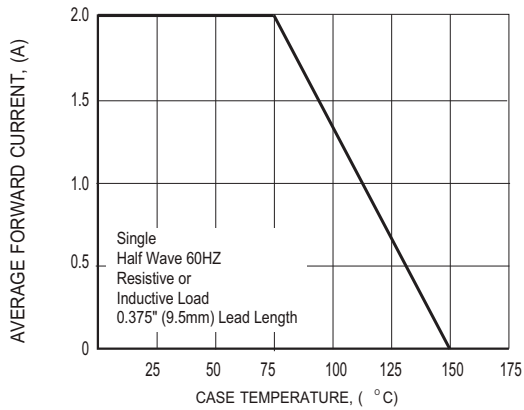


FIG.1 TYPICAL FORWARD CURRENT DERATING CURVE

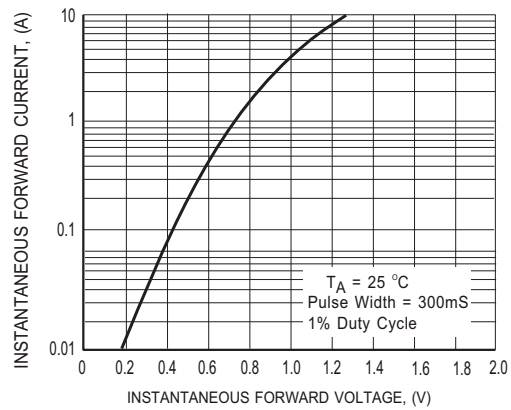


FIG.2 MAXIMUM INSTANTANEOUS FORWARD CHARACTERISTICS

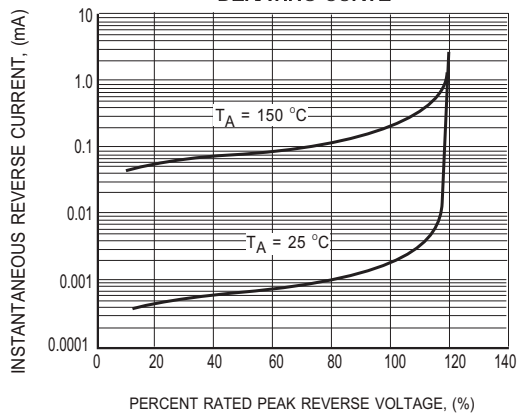


FIG.3 MAXIMUM REVERSE CHARACTERISTICS

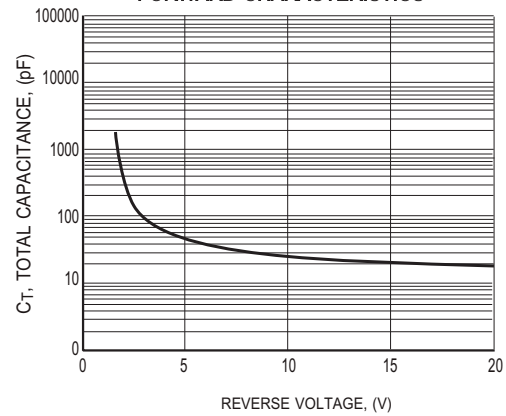


FIG.4 TYPICAL TOTAL CAPACITANCE

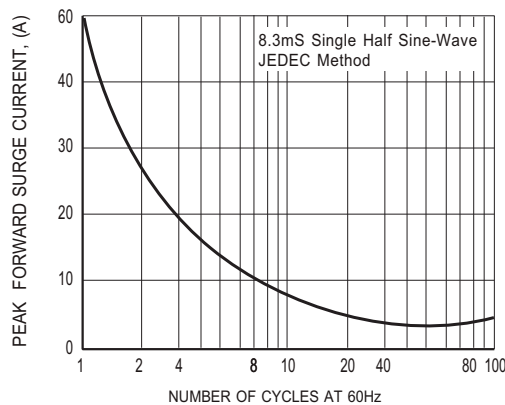
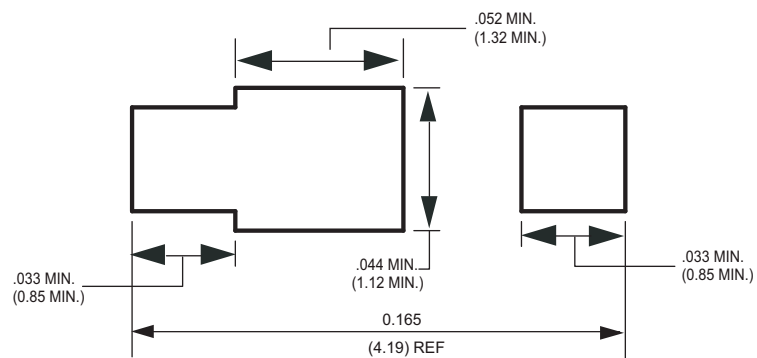


FIG.5 TYPICAL REVERSE CHARACTERISTICS



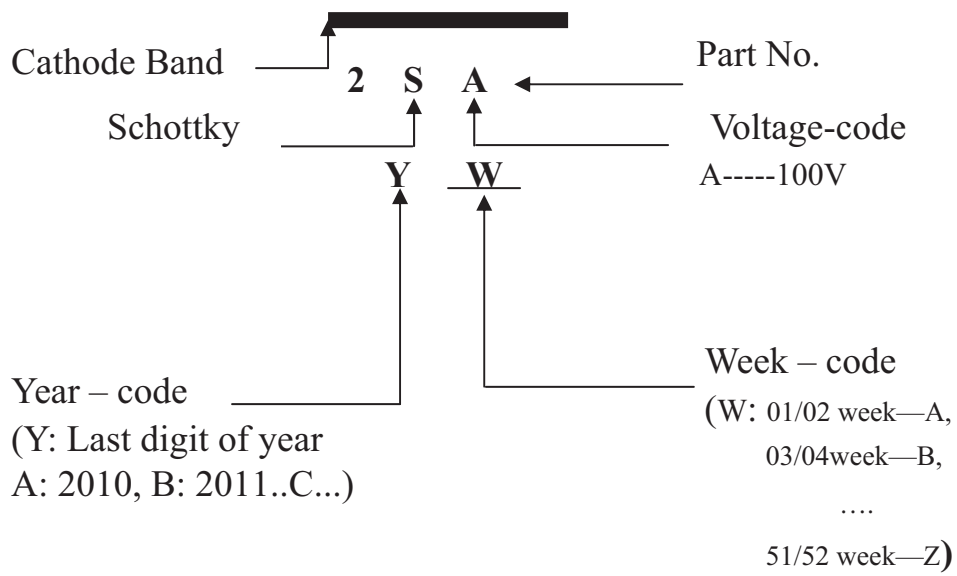
Mounting Pad Layout



Dimensions in inches and (millimeters)



Marking Description



PACKAGING OF DIODE AND BRIDGE RECTIFIERS

REEL PACK

PACKAGE	PACKING CODE	EA PER REEL	EA PER INNER BOX	COMPONENT SPACE (mm)	TAPE SPACE (mm)	REEL DIA (mm)	CARTON SIZE (mm)	EA PER CARTON	GROSS WEIGHT(Kg)
SOD-123F/ SOD-123FL	-W	3,000	15,000	---	---	178	390*205*31	120,000	6.964



DISCLAIMER NOTICE

Rectron Inc reserves the right to make changes without notice to any product specification herein, to make corrections, modifications, enhancements or other changes. Rectron Inc or anyone on its behalf assumes no responsibility or liability for any errors or inaccuracies. Data sheet specifications and its information contained are intended to provide a product description only. "Typical" parameters which may be included on RECTRON data sheets and/ or specifications can and do vary in different applications and actual performance may vary over time. Rectron Inc does not assume any liability arising out of the application or use of any product or circuit.

Rectron products are not designed, intended or authorized for use in medical, life-saving implant or other applications intended for life-sustaining or other related applications where a failure or malfunction of component or circuitry may directly or indirectly cause injury or threaten a life without expressed written approval of Rectron Inc. Customers using or selling Rectron components for use in such applications do so at their own risk and shall agree to fully indemnify Rectron Inc and its subsidiaries harmless against all claims, damages and expenditures.

