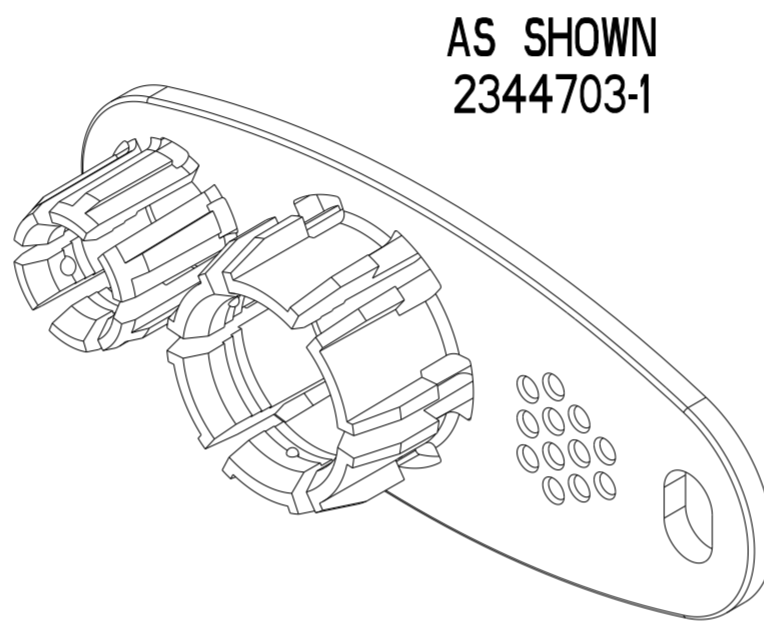
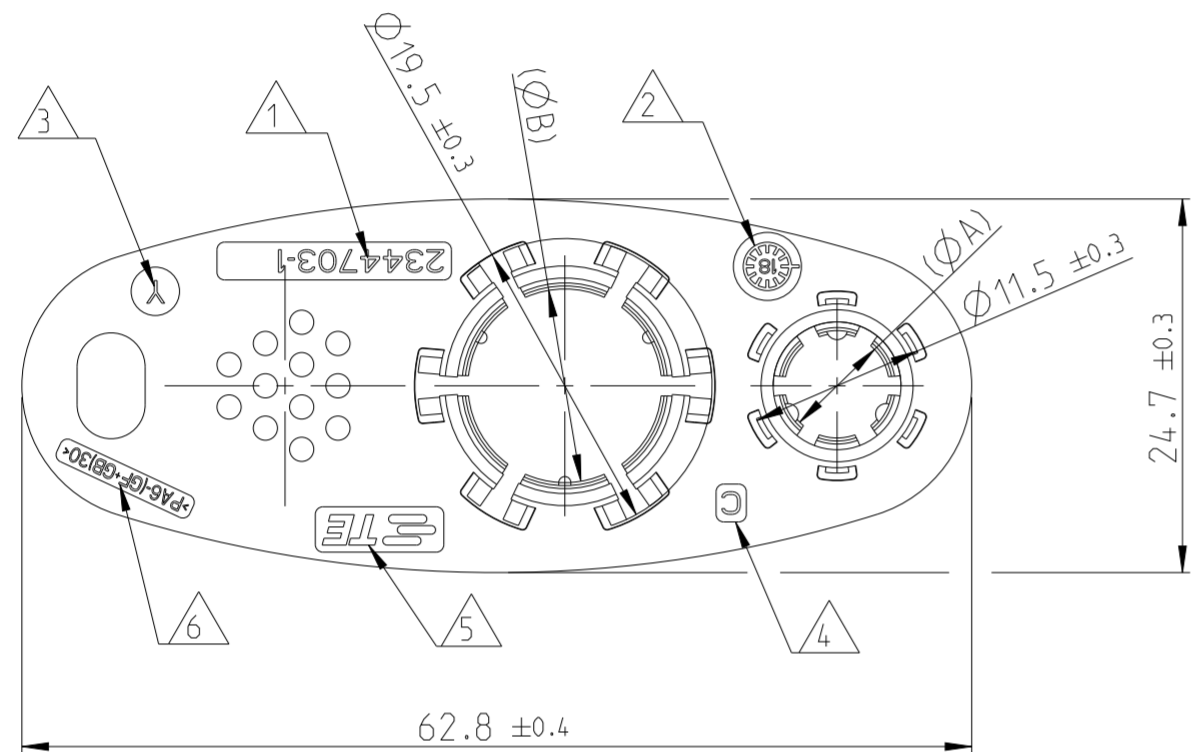
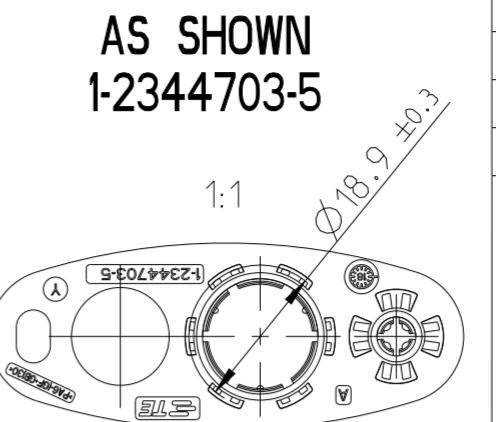
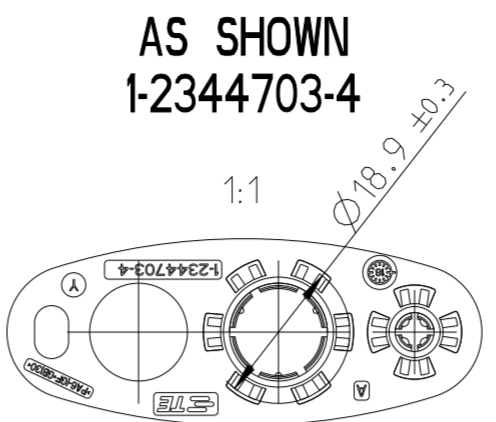
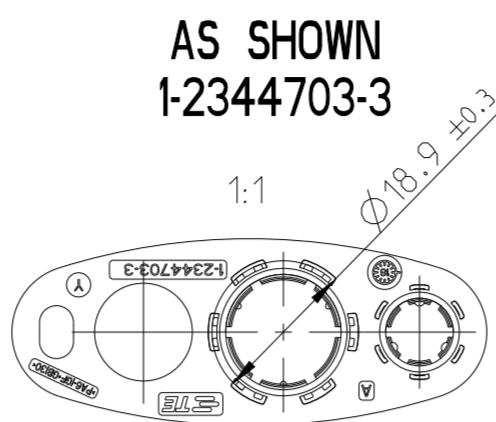
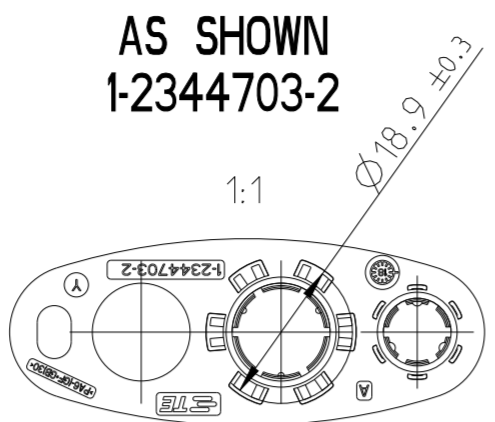
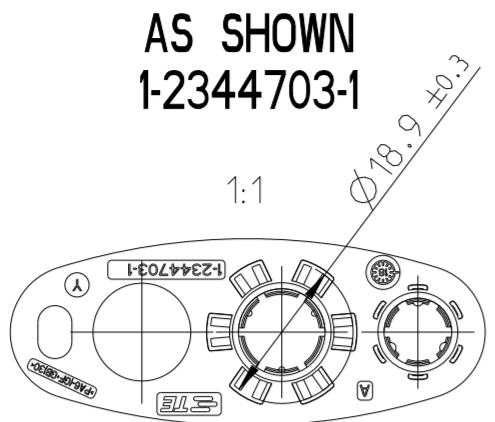
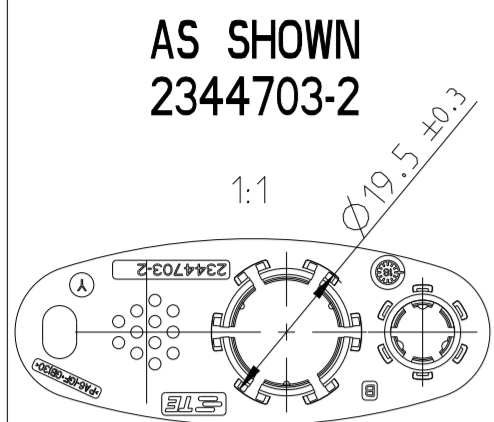


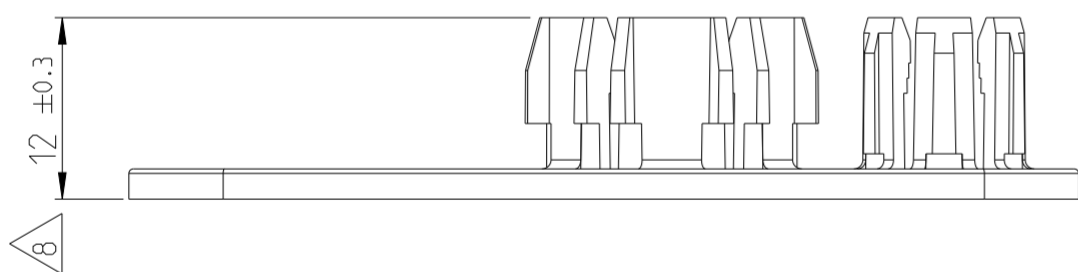
THIS DRAWING IS UNPUBLISHED. RELEASED FOR PUBLICATION
 © COPYRIGHT copyright_date BY - ALL RIGHTS RESERVED.

| P | LTR | DESCRIPTION | DATE | DWN | APVD |
|----|-----|--|------------|-----|------|
| D1 | | NEW VARIANT 1-2344703-9 ADDED | 14 JUN2022 | AN | CRI |
| | | 9-2344703-2,9-2344703-3 AND 9-2344703-5 OBSOLETE | | | |
| D2 | | 1-2344703-5 PE CABLE DETAILS UPDATED | 18 JUL2022 | AN | SK |
| D3 | | COLORANT UPDATED FOR 1-2344703-4 | 04 OCT2022 | MS | FW I |

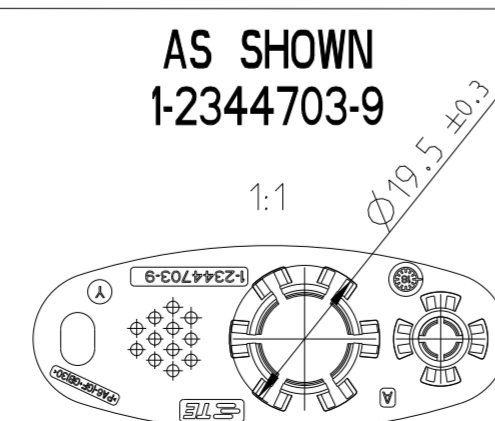
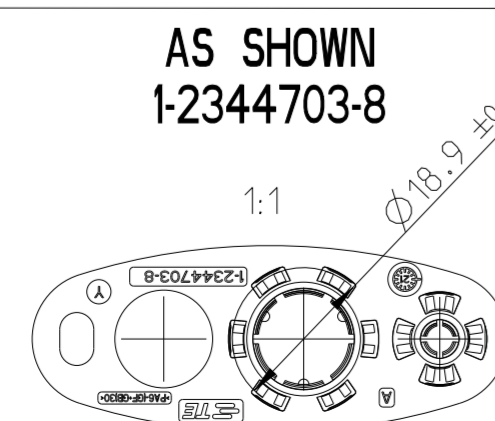
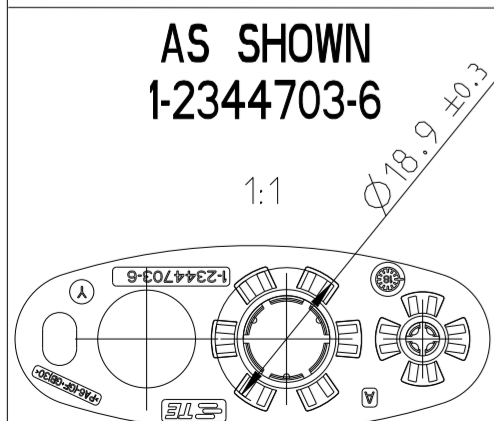


NOTES

- 1 TE PART NUMBER
- 2 PRODUCTION DATE WITH DATE INSERT MONTH/YEAR
- 3 CAVITY MARKING
- 4 PART REVISION
- 5 TE-TRADEMARK
- 6 MATERIAL MARKING
- 7 BULK PACKAGING IN PLASTIC BAG AND CORRUGATED SHIPPING BOX
- 8 FEATURE HEIGHT DIRECTLY MEASURED AT BOTH FEATURES



| TE-PART-NO. | REV | DESCRIPTION | DIM A | Ø | mm2 | DIM B | Ø | mm2 | MATERIAL | WEIGHT [g] | COLOUR |
|-------------|-----|------------------|-------|---------|-----|-------|-----------|-----|-----------------|------------|-----------------------------------|
| 1-2344703-9 | A | STRAIN RELIEF-AC | 4.2 | 4.6-5.0 | 6 | 11.5 | 12.2-12.8 | 2x6 | -PA6-(GF+GB)30< | 3.8 | BEIGE 704328-7 SIM. RAL1001 |
| 1-2344703-8 | A | STRAIN RELIEF-AC | 3.5 | 4.0-4.3 | 6 | 12.0 | 12.7-13.3 | 4x4 | | 3.52 | RED SIM. RAL 3000 |
| 1-2344703-6 | A | STRAIN RELIEF-AC | 2.9 | 3.4-3.7 | 4 | 10.0 | 10.7-11.3 | 2x4 | | 3.52 | GREEN SIM. RAL 6001 |
| 1-2344703-5 | A | STRAIN RELIEF-AC | 3.5 | 4.0-5.0 | 6 | 13.8 | 14.5-15.1 | 4x6 | | 3.45 | RED SIM. RAL 3000 |
| 1-2344703-4 | A | STRAIN RELIEF-AC | 3.5 | 4.0-4.3 | 6 | 11.5 | 12.2-12.8 | 2x6 | | 3.51 | ORANGE SIM. RAL 2000 |
| 1-2344703-3 | A | STRAIN RELIEF-AC | 7.7 | 8.2-8.8 | 25 | 13.8 | 14.5-15.1 | 4x6 | | 3.4 | CLARET VIOLET SIM. RAL 4004 |
| 1-2344703-2 | A | STRAIN RELIEF-AC | 7.7 | 8.2-8.8 | 25 | 11.5 | 12.2-12.8 | 2x6 | | 3.46 | BROWN SIM. RAL 8007 |
| 1-2344703-1 | A | STRAIN RELIEF-AC | 7.7 | 8.2-8.8 | 25 | 10.0 | 10.7-11.3 | 2x4 | | 3.49 | BLUE SIM. RAL 5012 |
| 2344703-2 | B | STRAIN RELIEF-AC | 6.9 | 7.4-8.3 | 16 | 13.8 | 14.5-15.1 | 4x6 | | 3.71 | YELLOW SIM. RAL 1018 |
| 2344703-1 | C | STRAIN RELIEF-AC | 6.9 | 7.4-8.3 | 16 | 12.8 | 13.5-14.1 | 3x6 | | 3.74 | NATURAL |



THIS DRAWING IS A CONTROLLED DOCUMENT. DIMENSIONING AND TOLERANCING PER GPS (ISO STANDARDS).

DIMENSIONS: mm

TOLERANCES UNLESS OTHERWISE SPECIFIED: DIN 16742 TG5

0-PLC ±
1-PLC ±
2-PLC ±
3-PLC ±
4-PLC ±
ANGLES ±

MATERIAL: SEE TABLE

| | | |
|------------------|-------------------|-----------|
| DWN | M. Ruehle | 19MAR2019 |
| CHK | P. Kowarsch | 19MAR2019 |
| APVD | S. Beau | 19MAR2019 |
| NAME | STRAIN RELIEF, AC | |
| PRODUCT SPEC | - | |
| APPLICATION SPEC | - | |
| WEIGHT | SEE TABLE | A2 |
| CUSTOMER DRAWING | SCALE | 5:1 |
| SHEET | 1 | OF 1 |
| REV | D3 | |

