

Standard



Image for illustrative purpose only

Summary

[Request a quote](#)

BKT series

Number of contacts Low Voltage	6
Wire Size/AWG	30 - 22
Gender	Standard
Socket / Receptacle	Socket / Receptacle - Fixed Panel Rear Mounted
Locking system	Push-pull
Panel Drill Hole	M16
Jacket cable outside diameter [mm]	1.00 - 14.60 mm
Size	1K
Suggested matching part	FGG.1K.306.CLAC50Z
Series	K - Outdoor keyed

https://www.lemo.com/int_en/solutions/originals/k-outdoor-keyed/heg-1k-306-cllpv.html

LEMO products and services are provided "as is". LEMO makes no warranties or representations with regard to LEMO product & services or use of them, express, implied or statutory, including for accuracy, completeness, or security. The user is fully responsible for his products and applications using LEMO components.

Technical details

Electrical Configuration

Number of contacts Low Voltage	6
Contact Termination Low voltage	Solder
R (max)	6.1 mOhm
Insert configuration value	1K.306 - 6 Low Voltage
Insulator	L: PEEK (UL 94 / V-0/1.5)
Rated current	7 A
Vtest (contact-contact)	1.5 kV (DC)
Vtest (contact-shell)	1.7 kV (DC)
Max. Solid Conductor	0.34 mm ² (AWG 22)
Max. Stranded Conductor	0.34 mm ² (AWG 22)
Bucket Dia.	0.8 mm (0.031in)
Contact Dia.	0.7 mm (0.028in)
Wire Size/AWG	30 - 22
Gender	Standard

Form & Material

Shell style / Model id	HE - Fixed receptacle, nut fixing, watertight or vacuum-tight (back panel mounting)
Socket / Receptacle	Fixed Panel Rear Mounted
Housing material	Brass (chrome plated [SAE AMS 2460]) shell, collet nut and latch sleeve, nickel plated [SAE AMS QQ N 290] brass mid pieces
Locking system	Push-pull
Keying	G: 1 key (alpha=0, plug: male contacts, receptacle: female contacts)
Colour	Grey
Variant	Watertight / Vacuum-tested unmated (connector to device)
Weight	22.18 g
Panel Drill Hole	M16

https://www.lemo.com/int_en/solutions/originals/k-outdoor-keyed/heg-1k-306-clpv.html

LEMO products and services are provided "as is". LEMO makes no warranties or representations with regard to LEMO product & services or use of them, express, implied or statutory, including for accuracy, completeness, or security. The user is fully responsible for his products and applications using LEMO components.

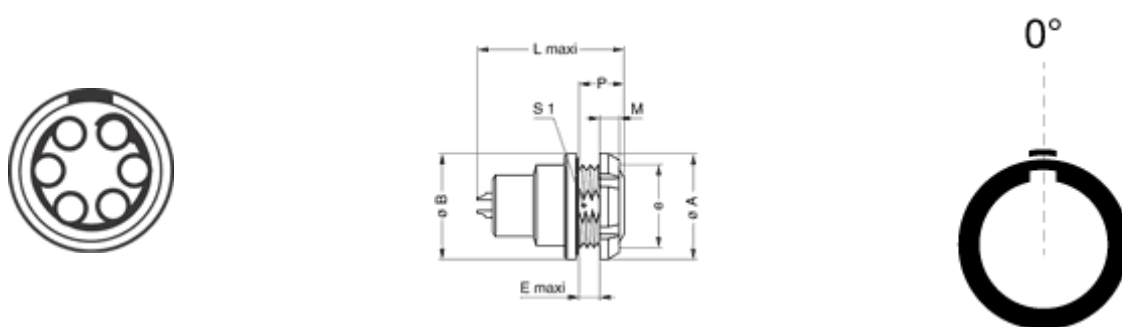
Environment

Technical domain	Audio Video, Energy and Industrial, Medical, Test and Measurement
Environmental sealing (IP rating)	Hermetic unmated
Endurance	5000 mating cycles
Temperature range	-20°C / +100°C
Climatic Category	20/80/21
Humidity (max)	<=95% [at 60 deg C /140 F]
Shielding (min)	95 dB (10 MHz)
Shielding (min)	80 dB (1 GHz)
Shock Resistance	100 g [6 ms]
Vibration	15 g [10 Hz - 2000 Hz]
Pressure	60 bars
R leak (He) (max)	10 ⁻⁷ mbar·l/s (if vacuum-tested)
Salt Spray Corrosion	>1000 hr

Cable fixation

Jacket cable outside diameter [mm]	1.00 - 14.60 mm
------------------------------------	-----------------

Drawings



Dimensions

	A	E	L	M	P	S1	B	e
mm.	20	6.2	30.6	3.5	10	14.5	20	M16x1.0
in.	0.79	0.24	1.2	0.14	0.39	0.57	0.79	

https://www.lemo.com/int_en/solutions/originals/k-outdoor-keyed/heg-1k-306-cllpv.html

LEMO products and services are provided "as is". LEMO makes no warranties or representations with regard to LEMO product & services or use of them, express, implied or statutory, including for accuracy, completeness, or security. The user is fully responsible for his products and applications using LEMO components.

Recommended By Lemo

Accessories

Compatible cap

[BRE.1K.200.NAS](#)

Tools

Spanner 2

[DCM.65.176.AZ6](#)

Spanner wrench

[Socket for torque wrench DCM.1E.M16.6](#)

Cables

Cable PartNumber	Material	Colour	Cable image
CMN.06.T26.037QGZE	TPR (medical)	Grey	
CMN.06.T28.031PGCE	PVC	GREY	
CMN.06.T28.031PGZE		grey	
CMN.06.T28.031PNCE	PVC	Black	
CMN.06.T28.031PNZE			
CMN.06.T28.042QBCE	TPR (medical)		
CMN.06.T28.044PGZE		grey	
CMN.06.T28.044PNZE			
106220	PVC	Black	
106240	PTFE	White	
12080	PVC	Grey	
160140	PVC	Grey	
160240	PVC	Black	
160260	PVC	Black	
260250	PVC	Grey	
60260	PTFE	White	
6280	PVC	Black	

https://www.lemo.com/int_en/solutions/originals/k-outdoor-keyed/heg-1k-306-cllpv.html

LEMO products and services are provided "as is". LEMO makes no warranties or representations with regard to LEMO product & services or use of them, express, implied or statutory, including for accuracy, completeness, or security. The user is fully responsible for his products and applications using LEMO components.