

### General Description

The SY21195I high-efficiency 500kHz synchronous step-down DC/DC regulator operates over a wide input voltage range of 4.5V to 18V, and can deliver an output current up to 5A. It integrates a main switch and a synchronous switch with very low  $R_{DS(ON)}$  to minimize conduction loss. The 500kHz pseudoconstant switching frequency enables using small external inductor and capacitor values.

The SY21195I uses constant-on-time and ripple-based control to achieve high efficiency at light loads and fast transient response for applications with high step-down ratios. It also provides cycle-by-cycle current limiting and overtemperature protection.

The SY21195I is available in a compact TSOT23-6 package.

### Features

- 4.5V to 18V Input Voltage Range
- Up to 5A Output Current
- Low  $R_{DS(ON)}$  for Internal Switches: 41m $\Omega$  Top, 27m $\Omega$  Bottom
- 500kHz Switching Frequency Minimizes Required External Components
- Constant-On-Time and Ripple-Based Control to Achieve Fast Transient Responses
- Stable with 22 $\mu$ F  $C_{OUT}$  and 0.68 $\mu$ H Inductor
- Cycle-by-Cycle Top/Bottom Current Limits
- Internal Soft-Start Limits Inrush Current
- Hiccup Mode for Short-Circuit Protection
- Overtemperature Protection with Auto-Recovery
- Output Auto-Discharge Function
- RoHS-Compliant and Halogen-Free
- Compact Package: TSOT23-6

### Applications

- Set-Top Box
- Portable TV
- DSL Modem
- LCD TV
- IP Camera
- Networking

### Typical Application

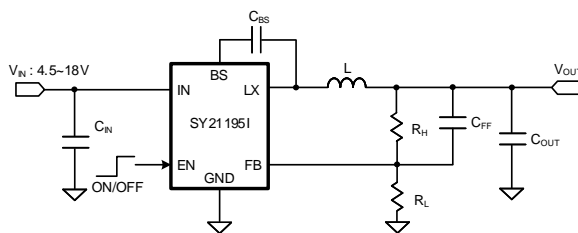


Figure1. Schematic Diagram

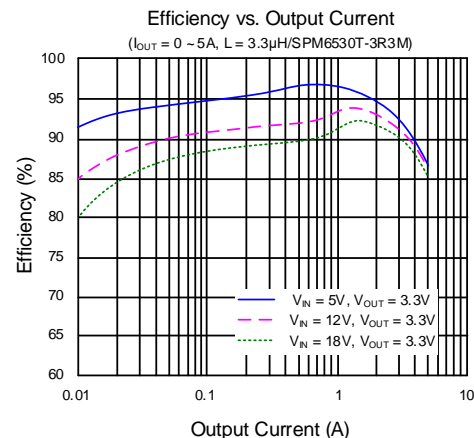


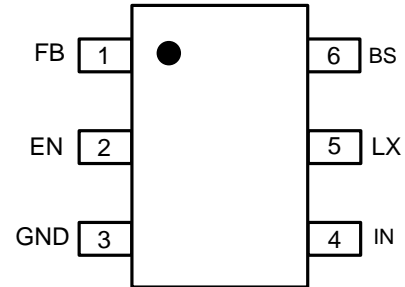
Figure2. Efficiency vs. Output Current

## Ordering Information

Ordering Part Number	Package type	Top Mark
SY21195IADC	TSOT23-6 RoHS-Compliant and Halogen-Free	<b>dMxyz</b>

*x = year code, y = week code, z = lot number code*

## Pinout (top view)



## Pin Description

Pin No	Pin Name	Pin Description
1	FB	Output feedback pin. Connect this pin to the center point of the output resistor-divider as shown in Figure 1. $V_{OUT} = 0.6 \times (1 + R_H/R_L)$ .
2	EN	Enable pin. Pull low to disable the device, pull high to enable. Do not leave this pin floating.
3	GND	Ground pin.
4	IN	Power input. Decouple from the GND pin with at least a 10 $\mu$ F ceramic capacitor.
5	LX	Inductor pin. Connect to the switching node of the inductor.
6	BS	Bootstrap pin. Supply for the high-side gate driver. Connect a 0.1 $\mu$ F ceramic capacitor between the BS and LX pins.

## Block Diagram

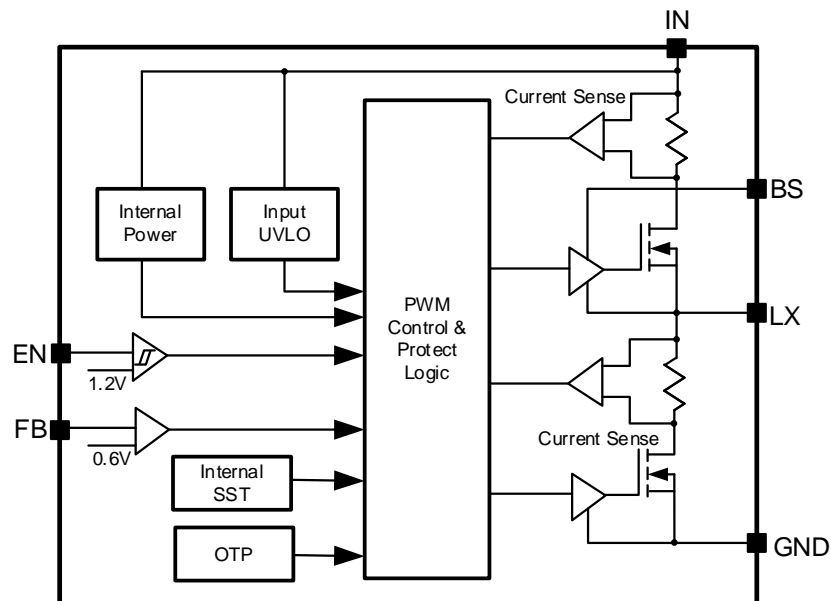


Figure 3. Block Diagram



### Absolute Maximum Ratings

Parameter (Note 1)	Min	Max	Unit
IN	-0.3	19	V
LX, EN	-0.3	IN + 0.3	
LX, 20ns duration	-5	IN + 3	
BS	LX - 0.3	LX + 4	
FB	-0.3	4	
Junction Temperature, Operating	-40	150	°C
Lead Temperature (Soldering, 10s)		260	
Storage Temperature	-65	150	

### Thermal Information

Parameter (Note 2)	Typ	Unit
$\theta_{JA}$ Junction-to-Ambient Thermal Resistance	46	°C/W
$\theta_{JC}$ Junction-to-Case Thermal Resistance	6	
$P_D$ Power Dissipation $T_A = 25^\circ\text{C}$	2.1	W

### Recommended Operating Conditions

Parameter (Note 3)	Min	Max	Unit
Supply Input Voltage	4.5	18	V
Output Current		5	A
Junction Temperature	-40	125	°C
Ambient Temperature	-40	85	

## Electrical Characteristics

( $V_{IN} = 12V$ ,  $V_{OUT} = 3.3V$ ,  $L = 3.3\mu H$ ,  $C_{OUT} = 22\mu F + 10\mu F$ ,  $T_A = 25^\circ C$ ,  $I_{OUT} = 1A$  unless otherwise specified)

Parameter	Symbol	Test Conditions	Min	Typ	Max	Unit	
Input	Voltage Range	$V_{IN}$	4.5		18	V	
	UVLO Rising Threshold	$V_{IN,UVLO}$			4.35	V	
	UVLO Hysteresis	$V_{IN,HYS}$		0.5		V	
	Quiescent Current	$I_Q$	$I_{OUT} = 0$ , $V_{FB} = V_{REF} \times 105\%$		250	$\mu A$	
	Shutdown Current	$I_{SHDN}$	$V_{EN} = 0V$		5	10	$\mu A$
Output	FB Reference Voltage	$V_{REF}$	591	600	609	mV	
	FB Input Current	$I_{FB}$	$V_{EN} = 2V$ , $V_{FB} = 1V$	-50	0	50	nA
	Turn-On Delay	$t_{ON,DLY}$	From EN high to LX start switching		0.5		ms
	Soft-Start Time	$t_{SS}$	$V_{OUT}$ from 0 to 100%		1.7		ms
	Discharge FET Resistance	$R_{DIS}$			50		$\Omega$
	UVP Threshold	$V_{UVP}$			0.33		$V_{REF}$
	UVP Delay	$t_{UVP,DLY}$			100		$\mu s$
	UVP Hiccup On-Time	$t_{HICCUP,ON}$			2.5		ms
	UVP Hiccup Off-Time	$t_{HICCUP,OFF}$			9		ms
Enable(EN)	Rising Threshold	$V_{EN,R}$	1.08	1.2	1.32	V	
	Falling Threshold	$V_{EN,F}$	0.9	1.0	1.1	V	
	Input Current	$I_{EN}$	$V_{EN} = 2V$		0		$\mu A$
MOSFET	Top FET On-Resistance	$R_{DS(ON),TOP}$	$V_{BS-LX} = 3.3V$		41		m $\Omega$
	Bottom FET On-Resistance	$R_{DS(ON),BOT}$			27		m $\Omega$
	Top FET Current Limit	$I_{LMT,TOP}$		7			A
	Bottom FET Current Limit	$I_{LMT,BOT}$		5			A
Frequency	Switching Frequency	$f_{SW}$	CCM		500		kHz
	Min On-Time	$t_{ON,MIN}$			50		ns
	Min Off-Time	$t_{OFF,MIN}$			100		ns
OTP	Temperature	$T_{OTP}$	(Note 4)		150		$^\circ C$
	Temperature Hysteresis	$T_{HYS}$	(Note 4)		15		$^\circ C$

**Note 1:** Stresses beyond the “Absolute Maximum Ratings” may cause permanent damage to the device. These are stress ratings only. Functional operation of the device at these or any other conditions beyond those indicated in the operational sections of the specification is not implied. Exposure to absolute maximum rating conditions for extended periods may affect device reliability.

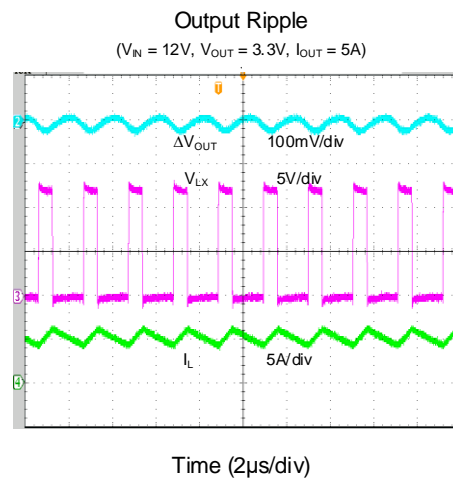
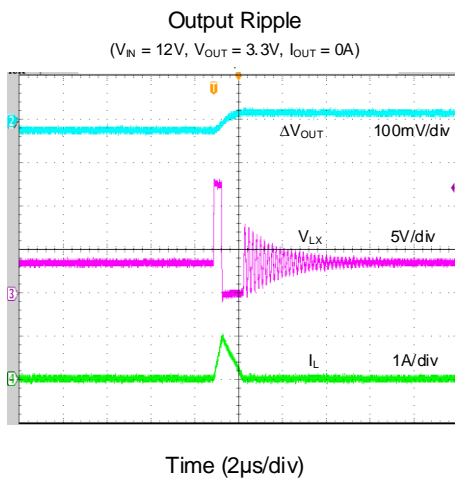
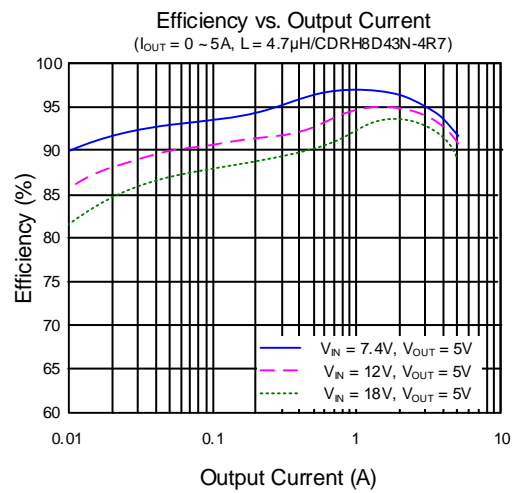
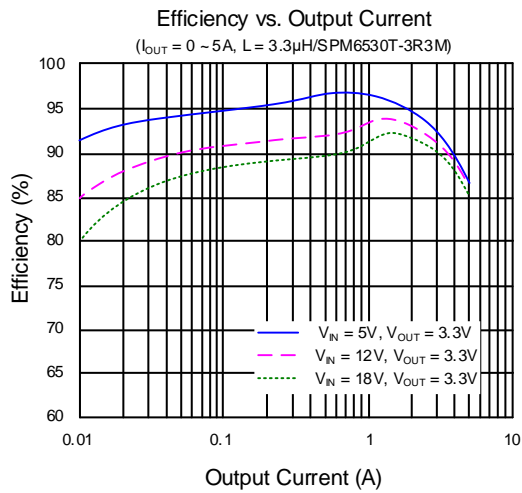
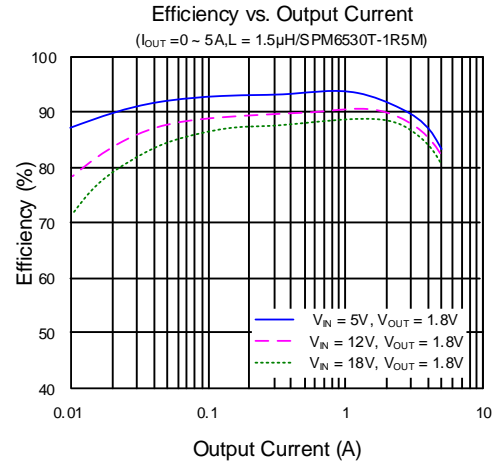
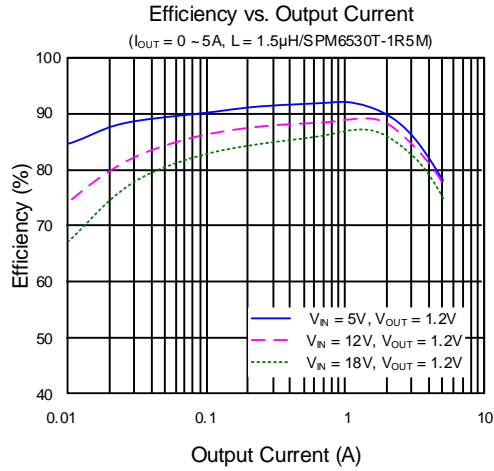
**Note 2:**  $\theta_{JA}$  of SY21195I is measured in the natural convection at  $T_A = 25^\circ C$  on a 2oz four-layer Silergy evaluation board. Paddle of TSOT23-6 package is the case position for SY21195I  $\theta_{JC}$  measurement.

**Note 3:** The device is not guaranteed to function outside its operating conditions.

**Note 4:** Guaranteed by design.

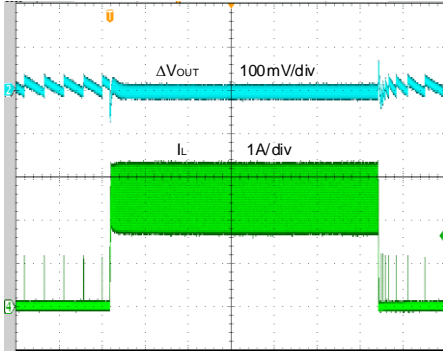
## Typical Performance Characteristics

(SY21195I,  $T_A = 25^\circ\text{C}$ ,  $V_{IN} = 12\text{V}$ ,  $V_{OUT} = 3.3\text{V}$ ,  $L = 3.3\mu\text{H}$ ,  $C_{OUT} = 22\mu\text{F} + 10\mu\text{F}$ , unless otherwise noted)



Load Transient

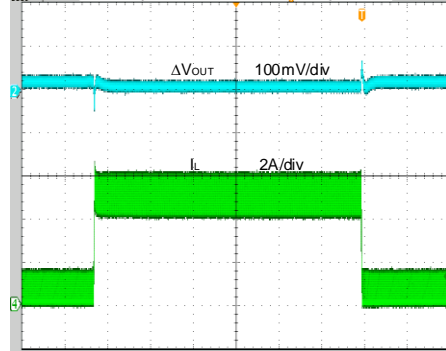
( $V_{IN} = 12V$ ,  $V_{OUT} = 3.3V$ ,  $I_{OUT} = 0A \sim 2.5A$ )



Time (800μs/div)

Load Transient

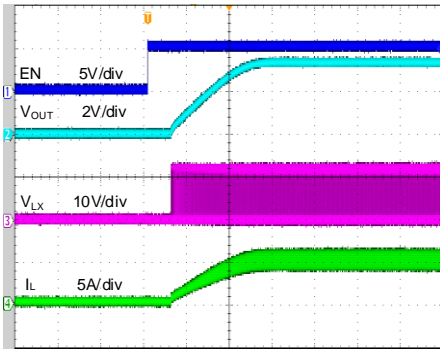
( $V_{IN} = 12V$ ,  $V_{OUT} = 3.3V$ ,  $I_{OUT} = 0.5A \sim 5A$ )



Time (800μs/div)

Startup from Enable

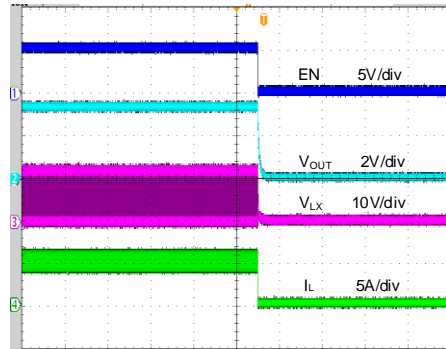
( $V_{IN} = 12V$ ,  $V_{OUT} = 3.3V$ ,  $I_{OUT} = 5A$ )



Time (800μs/div)

Shutdown from Enable

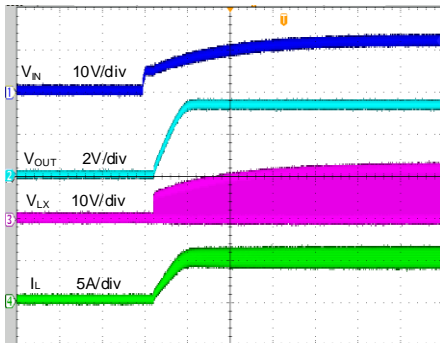
( $V_{IN} = 12V$ ,  $V_{OUT} = 3.3V$ ,  $I_{OUT} = 5A$ )



Time (800μs/div)

Startup from  $V_{IN}$

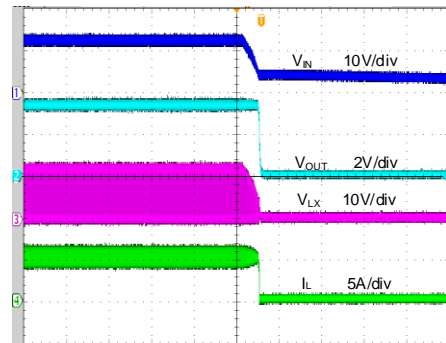
( $V_{IN} = 12V$ ,  $V_{OUT} = 3.3V$ ,  $I_{OUT} = 5A$ )



Time (2ms/div)

Shutdown from  $V_{IN}$

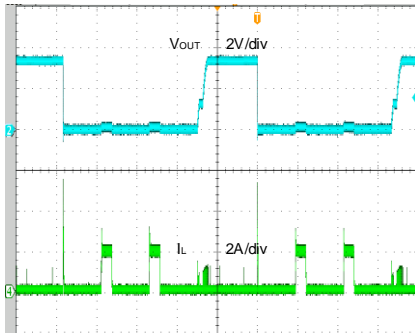
( $V_{IN} = 12V$ ,  $V_{OUT} = 3.3V$ ,  $I_{OUT} = 5A$ )



Time (2ms/div)

### Short Circuit Protection

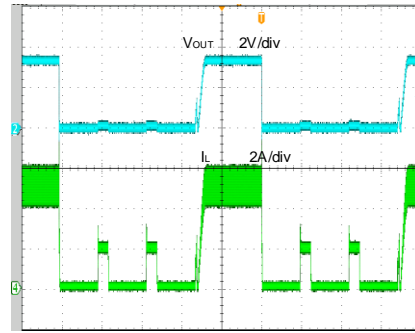
( $V_{IN} = 12V$ ,  $V_{OUT} = 3.3V$ ,  $I_{OUT} = 0A \sim \text{short}$ )



Time (10ms/div)

### Short Circuit Protection

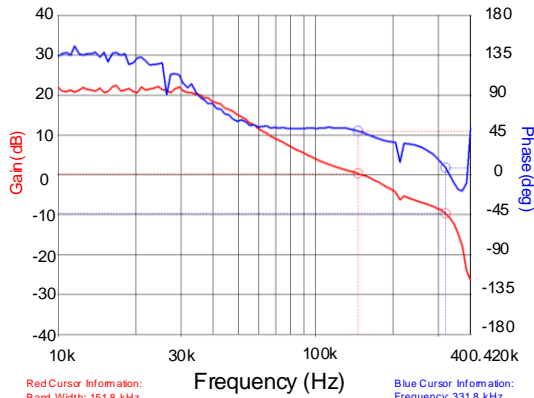
( $V_{IN} = 12V$ ,  $V_{OUT} = 3.3V$ ,  $I_{OUT} = 5A \sim \text{short}$ )



Time (10ms/div)

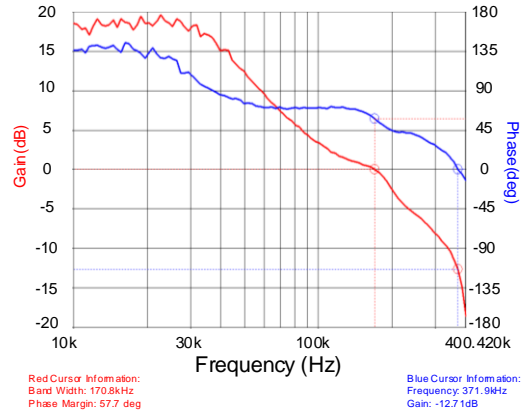
### Bode Plot

( $V_{IN} = 12V$ ,  $V_{OUT} = 1.2V$ ,  $I_{OUT} = 5A$ )



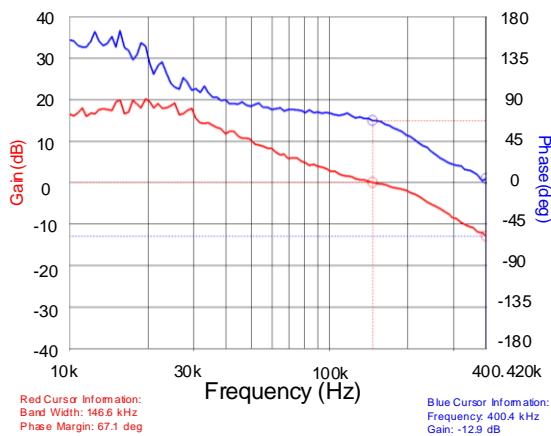
### Bode Plot

( $V_{IN} = 12V$ ,  $V_{OUT} = 1.8V$ ,  $I_{OUT} = 5A$ )



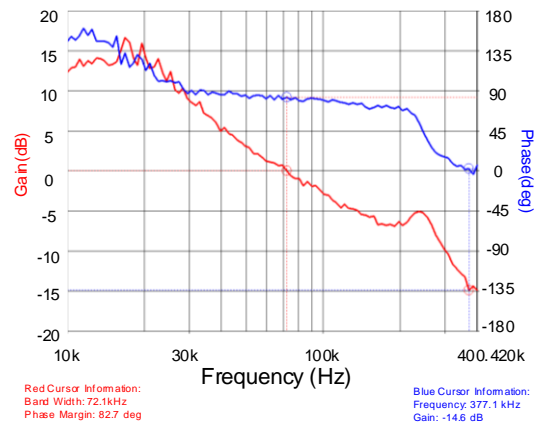
### Bode Plot

( $V_{IN} = 12V$ ,  $V_{OUT} = 3.3V$ ,  $I_{OUT} = 5A$ )



### Bode Plot

( $V_{IN} = 12V$ ,  $V_{OUT} = 5V$ ,  $I_{OUT} = 5A$ )



## Operation

The SY21195I high-efficiency 500kHz synchronous step-down DC/DC regulator operates over a wide input voltage range of 4.5V to 18V, and can deliver an output current up to 5A. It integrates a main switch and a synchronous switch with very low  $R_{DS(ON)}$  to minimize conduction loss. The 500kHz pseudoconstant switching frequency permits the use of small external inductor and capacitor values.

The SY21195I provides cycle-by-cycle current limiting and overtemperature protection.

### Constant-On-Time and Ripple-Based Control

The SY21195I uses Instant-PWM™ architecture to achieve high efficiency at light loads and fast transient response for applications with high step-down ratios. It uses a constant-on-time and ripple-based control strategy in which a virtual replica of the inductor current signal is synthesized internally and combined with the feedback voltage. When the sum of the above voltages is lower than the reference voltage, the bottom FET turns off and the top FET turns on for a fixed period of time (constant  $t_{ON}$ ).  $t_{ON}$  is internally calculated according to the input voltage, output voltage, and desired switching frequency ( $f_{SW}$ ):

$$t_{ON} = \frac{V_{OUT}/V_{IN}}{f_{SW}}$$

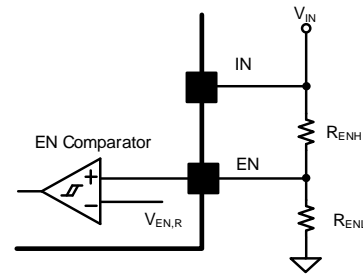
The top FET turns off after a period of  $t_{ON}$ .

### Input Undervoltage Lockout (UVLO)

The SY21195I incorporates input undervoltage lockout (UVLO) protection to prevent operation before all internal circuitry is ready, and to ensure that the top FET and bottom FET are properly biased. The SY21195I remains in a low-current state and all switching actions are inhibited until  $V_{IN}$  exceeds its rising threshold. At that time, if EN is enabled, the device will start up. If  $V_{IN}$  falls below  $V_{IN,UVLO}$  by more than the input UVLO hysteresis, switching actions are again suppressed.

### Enable and Adjusting Input Undervoltage Lockout

The EN pin provides programmable ON/OFF control using an external resistor-divider, and has accurate rising and falling thresholds. The SY21195I will operate while the EN pin voltage exceeds the rising threshold. If the EN pin voltage is pulled below the falling threshold, the regulator will stop switching and enter shutdown state.



It is not recommended to connect EN to the IN node directly. A resistor with a value between 1kΩ and 1MΩ is recommended if the EN pin is pulled high to the IN node.

### Soft-Start

The SY21195I has a built-in soft-start to control the rise rate of the output voltage and limit the input current surge during IC start-up. The typical soft-start time is 1.7ms.

### Output Auto-Discharge Function

The SY21195I discharges the output voltage when the regulator shuts down from  $V_{IN}$  UVLO, EN, or overtemperature protection, so that the output voltage can be discharged in a minimal time, even when the output load current is zero.

## Fault-Protection Modes

### Overcurrent and Short-Circuit Protection

If the top FET current exceeds the top current-limit threshold, the top FET will turn off and the bottom FET will turn on. If the bottom FET current exceeds the bottom current-limit threshold, the bottom FET will remain on until the bottom FET current decreases below the bottom current-limit threshold. As a result, both inductor peak and valley currents are limited. If the output current continues to increase, the output voltage will drop. If the output voltage falls below 33% of the regulation level, an output-short condition is detected and the SY21195I will operate in hiccup mode. The hiccup on-time is 2.5ms and the hiccup off-time is 9ms. If the hard short is removed, the SY21195I will return to normal operation.

### Overtemperature Protection (OTP)

The device includes overtemperature protection (OTP) circuitry to prevent overheating due to excessive power

dissipation. This will shut down the device when the junction temperature exceeds 150°C. Once the junction temperature cools by approximately 15°C, the device will resume normal operation after a complete soft-start cycle. For continuous operation, provide adequate cooling so that the junction temperature will not exceed the OTP threshold.

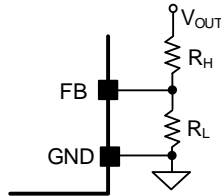
## Application Information

The selection process for the input capacitor  $C_{IN}$ , output capacitor  $C_{OUT}$ , output inductor  $L$ , and feedback resistors  $R_H$  and  $R_L$  is described in the following sections.

### Feedback Resistor-Divider $R_H$ and $R_L$

Choose  $R_H$  and  $R_L$  to program the proper output voltage. A value between 1kΩ and 1MΩ is recommended for both resistors to minimize power consumption under light loads. If  $V_{OUT} = 3.3V$  and  $R_H$  is chosen as 100kΩ, for example, then  $R_L$  can be calculated as follows:

$$R_L = \frac{0.6}{V_{OUT} - 0.6V} \times R_H$$



With a calculated value of 22.2kΩ for  $R_L$ , a standard 1% 22.1kΩ resistor is selected.

### Input Capacitor $C_{IN}$

For the best performance, select a typical X5R or better grade ceramic capacitor with a 10V rating, and at least 10μF capacitance. The capacitor should be placed as close as possible to the device, while also minimizing the loop area formed by  $C_{IN}$  and the IN/GND pins.

When selecting an input capacitor, ensure that its voltage rating is at least 20% greater than the maximum voltage of the input supply. X5R or X7R dielectric types are the most often selected due to their small size, low cost, surge current capability, and high RMS current rating over a wide temperature and voltage range.

In situations where the input rail is supplied through long wires, it is recommended to add some bulk capacitance like electrolytic-, tantalum-, or polymer-type capacitors to reduce the overshoot and ringing caused by the added parasitic inductance.

Consider the RMS current rating of the input capacitor, paralleling additional capacitors if required to meet the calculated RMS ripple current.

$$I_{CIN\_RMS} = I_{OUT} \times \sqrt{D \times (1 - D)}$$

The worst-case condition occurs at  $D = 0.5$ , then

$$I_{CIN\_RMS,MAX} = \frac{I_{OUT}}{2}$$

For simplicity, use an input capacitor with an RMS current rating greater than 50% of the maximum load current.

The input capacitor value determines the input voltage ripple of the converter. If there is a voltage ripple requirement in the system, choose an appropriate input capacitor that meets the specification.

Given the very low ESR and ESL of ceramic capacitors, the input voltage ripple can be estimated using the formula:

$$V_{CIN\_RIPPLE,CAP} = \frac{I_{OUT}}{f_{SW} \times C_{IN}} \times D \times (1 - D)$$

The worst-case condition occurs at  $D = 0.5$ , then

$$V_{CIN\_RIPPLE,CAP,MAX} = \frac{I_{OUT}}{4 \times f_{SW} \times C_{IN}}$$

The capacitance value is less important than the RMS current rating. A single 10μF X5R capacitor is sufficient in most applications.

### Output Inductor $L$

Consider the following when choosing this inductor:

- 1) Choose the inductance to provide a ripple current that is approximately 40% of the maximum output current. The recommended inductance is calculated as:

$$L = \frac{V_{OUT}(1 - V_{OUT} / V_{IN,MAX})}{f_{SW} \times I_{OUT,MAX} \times 0.4}$$

where  $f_{SW}$  is the switching frequency and  $I_{OUT,MAX}$  is the maximum load current.

The SY1195I has high tolerance for ripple current amplitude variation. As a result, the final choice of inductance can vary slightly from the calculated value with no significant performance impact.

- 2) The inductor's saturation current rating must be greater than the peak inductor current under full load:

$$I_{SAT,MIN} > I_{OUT,MAX} + \frac{V_{OUT}(1 - V_{OUT}/V_{IN,MAX})}{2 \times f_{SW} \times L}$$

- 3) The DCR of the inductor and the core loss at the switching frequency must be low enough to achieve the desired efficiency requirement. Use an inductor with DCR less than 20mΩ to achieve good overall efficiency.

### Output Capacitor C<sub>OUT</sub>

Select the output capacitor C<sub>OUT</sub> to handle the output ripple requirements. Both steady-state ripple and transient requirements must be taken into consideration when selecting C<sub>OUT</sub>. For the best performance, use an X5R or better grade ceramic capacitor with a 16V rating, and capacitance of at least 22μF.

For applications where the design must meet stringent ripple requirements, the following considerations must be followed.

The output voltage ripple at the switching frequency is caused by the inductor-current ripple (ΔI<sub>L</sub>) on the output capacitor's ESR (ESR ripple), as well as the stored charge (capacitive ripple). When calculating total ripple, consider both.

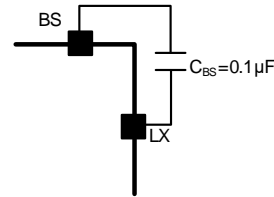
$$V_{RIPPLE,ESR} = \Delta I_L \times ESR$$

$$V_{RIPPLE,CAP} = \frac{\Delta I_L}{8 \times C_{OUT} \times f_{SW}}$$

The capacitive ripple might be higher because the effective capacitance for ceramic capacitors decreases with the voltage across the terminals. The voltage derating is usually included as a chart in the capacitor datasheet, and the ripple can be recalculated after taking the target output voltage into account.

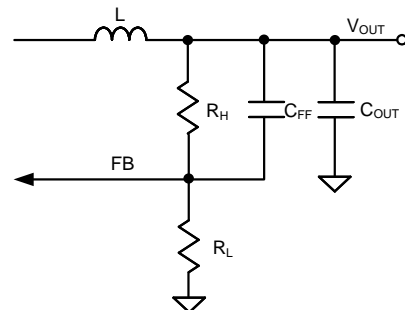
### External Bootstrap Capacitor

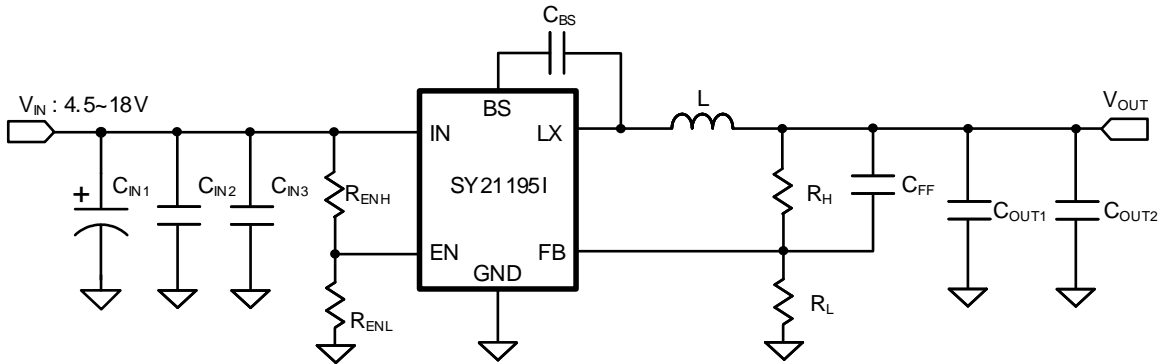
The external bootstrap capacitor provides the gate driver voltage for the N-channel top FET. A 0.1μF low-ESR ceramic capacitor connected between the BS pin and the LX pin is recommended.



### Load-Transient Considerations

The SY21195I integrates compensation components to achieve fast transient response and improved stability. In some applications, adding a ceramic capacitor (feed-forward capacitor C<sub>FF</sub>) in parallel with R<sub>H</sub> may further speed up the load-transient response, and is therefore recommended for applications with large load-transient step requirements.



**Application Schematic ( $V_{OUT} = 3.3V$ )**

**BOM List**

Reference Designator	Description	Part Number	Manufacturer
C <sub>IN1</sub>	47μF/50V Electrolytic Capacitor		
C <sub>IN2</sub>	10μF/25V/X7R,1206	C3216X7R1E106K	TDK
C <sub>IN3</sub>	0.1μF/50V/X5R,0603	C1608X5R1H104K	TDK
C <sub>OUT1</sub>	22μF/16V/X5R,1206	C3216X5R1C226K	TDK
C <sub>OUT2</sub>	10μF/16V/X5R,1206	C3216X5R1C106K	TDK
C <sub>BS</sub>	0.1μF/50V/X5R,0603	C1608X5R1H104K	TDK
C <sub>FF</sub>	100pF/50V/C0G,0603	C1608C0G1H101J	TDK
L	3.3μH/inductor, 6.8A	SPM6530T-3R3M	TDK
R <sub>H</sub>	100kΩ, 1%, 0603		
R <sub>L</sub>	22.1kΩ, 1%, 0603		
R <sub>ENH</sub>	10kΩ, 1%, 0603		
R <sub>ENL</sub>	1MΩ, 1%, 0603		

**Recommend Component Values for Typical Applications**

V <sub>OUT</sub> (V)	R <sub>H</sub> (kΩ)	R <sub>L</sub> (kΩ)	C <sub>FF</sub> (pF)	L/Part Number	C <sub>OUT1</sub>	C <sub>OUT2</sub>
1.2	100	100	10	1.5μH/SPM6530T-1R5M	22μF/16V/X5R,1206	10μF/16V/X5R,1206
1.8	100	49.9	22	1.5μH/SPM6530T-1R5M	22μF/16V/X5R,1206	10μF/16V/X5R,1206
3.3	100	22.1	100	3.3μH/SPM6530T-3R3M	22μF/16V/X5R,1206	10μF/16V/X5R,1206
5	100	13.7	100	4.7μH/CDRH8D43N-4R7	22μF/16V/X5R,1206	10μF/16V/X5R,1206



## Layout Design

Follow these PCB layout guidelines for optimal performance and thermal dissipation:

- **Input Capacitors:** Place the input capacitors as close as possible to the IN and GND pins, minimizing the loop formed by these connections. The input capacitor should be connected to IN and GND by wide copper areas.
- **Output Capacitors:** Connect the  $C_{OUT}$  negative terminal to the GND pin using wide copper traces instead of vias, in order to achieve better accuracy and stability of output voltage.
- **Feedback Network:** Place the feedback components ( $R_H$ ,  $R_L$ , and  $C_{FF}$ ) as close to the FB pin as possible. Avoid routing the feedback line near LX or other high-frequency signals, as it is noise-sensitive. Use a Kelvin connection to connect with  $C_{OUT}$  rather than the inductor output terminal.

**LX Connection:** Keep the LX area small to prevent excessive EMI, while providing a wide copper area to minimize parasitic resistance and inductance.

- **EN Signal:** It is not recommended to connect the EN signal directly to  $V_{IN}$ . A resistor in the range of  $1k\Omega$  to  $1M\Omega$  should be used if the lines are pulled high to  $V_{IN}$ .
- **GND Vias:** Place an adequate number of vias on the GND layer around the device for better thermal performance. The exposed GND pad should be connected to a copper area larger than its size. Place multiple GND vias on it for heat dissipation.
- **PCB Board:** To achieve the best thermal and noise performance, maximize the PCB copper area connecting to the GND pin. A ground plane is highly recommended if board space allows. Connect the ground pad to a large copper area to enhance thermal performance.

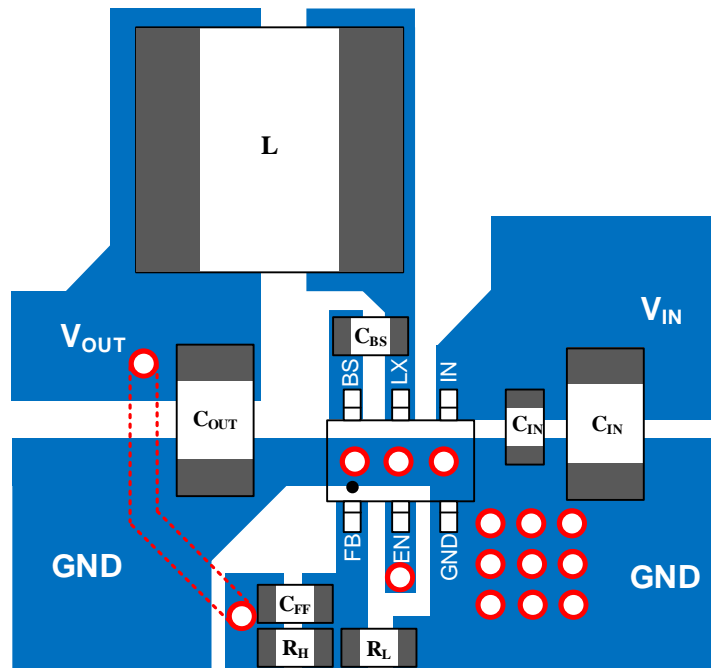
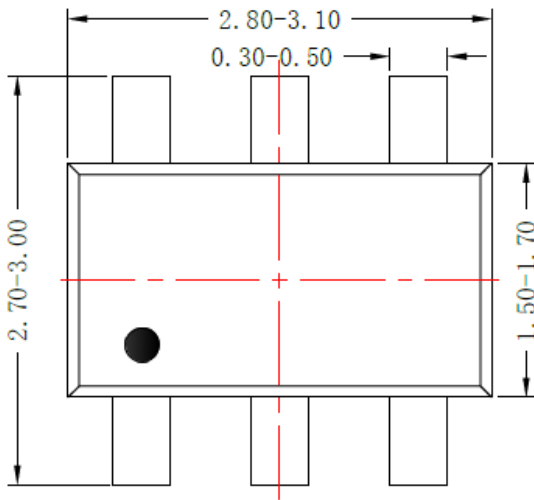
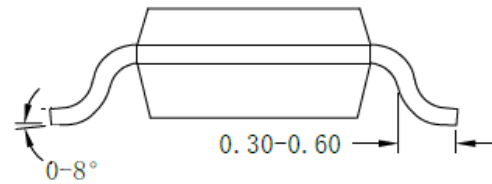


Figure 4. PCB Layout Suggestion

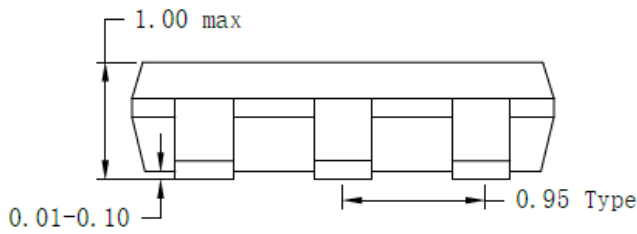
# TSOT23-6 Package Outline and PCB Layout



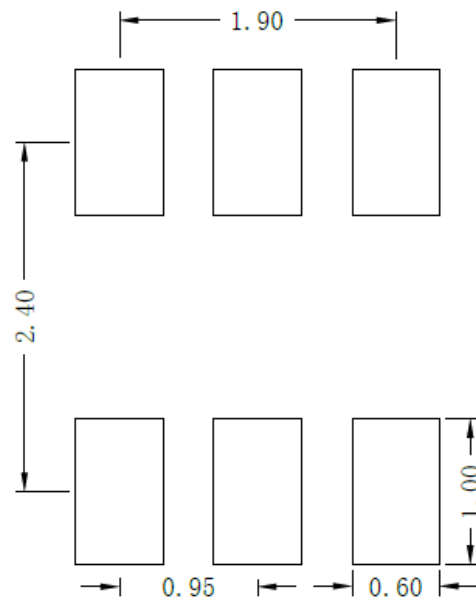
**Top view**



**Side view**



**Front view**

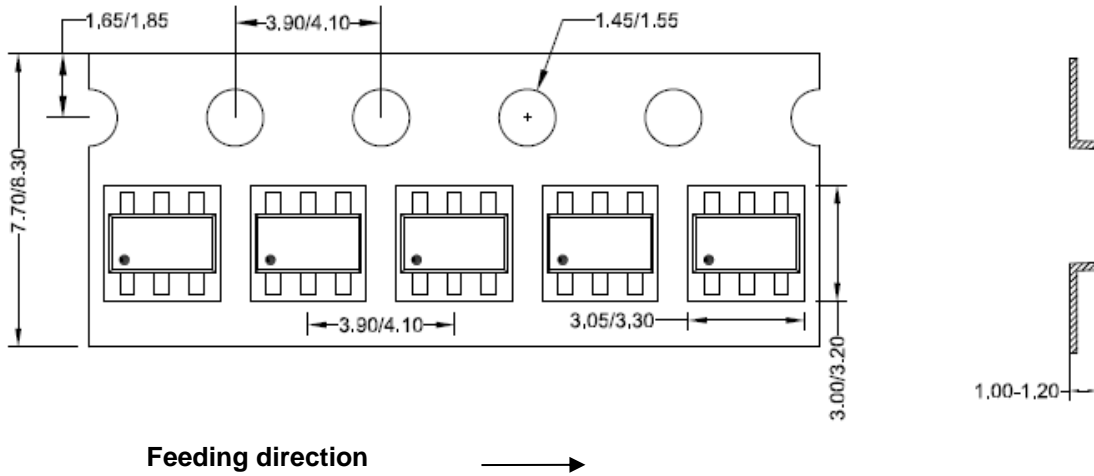


**Recommended Pad Layout**

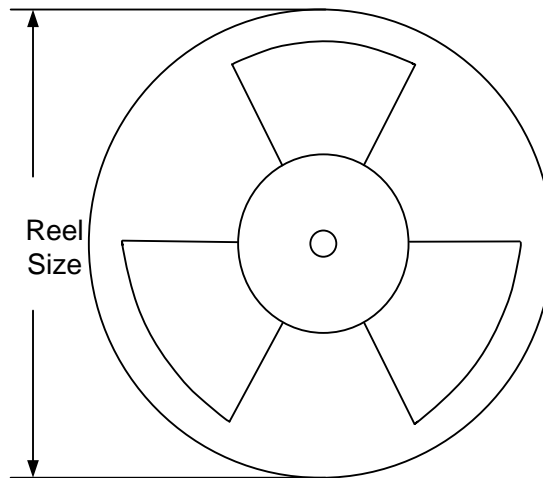
**Note:** All dimensions are in millimeters and exclude mold flash and metal burr.

## Taping and Reel Specification

### Taping orientation



### Carrier tape and reel specification for packages



Package types	Tape width (mm)	Pocket pitch(mm)	Reel size (Inch)	Trailer length(mm)	Leader length (mm)	Qty per reel
TSOT23-6	8	4	7	400	160	3000

Others: NA

## Revision History

The revision history provided is for informational purposes only and is believed to be accurate, however, not warranted. Please make sure that you have the latest revision.

Date	Revision	Change
Nov.10, 2022	Revision 0.9A	Updated the lead width of package (Page 11)
Jan.02, 2019	Revision 0.9	Initial Release

## IMPORTANT NOTICE

- 1. Right to make changes.** Silergy and its subsidiaries (hereafter Silergy) reserve the right to change any information published in this document, including but not limited to circuitry, specification and/or product design, manufacturing or descriptions, at any time and without notice. This document supersedes and replaces all information supplied prior to the publication hereof. Buyers should obtain the latest relevant information before placing orders and should verify that such information is current and complete. All semiconductor products are sold subject to Silergy's standard terms and conditions of sale.
- 2. Applications.** Application examples that are described herein for any of these products are for illustrative purposes only. Silergy makes no representation or warranty that such applications will be suitable for the specified use without further testing or modification. Buyers are responsible for the design and operation of their applications and products using Silergy products. Silergy or its subsidiaries assume no liability for any application assistance or designs of customer products. It is customer's sole responsibility to determine whether the Silergy product is suitable and fit for the customer's applications and products planned. To minimize the risks associated with customer's products and applications, customer should provide adequate design and operating safeguards. Customer represents and agrees that it has all the necessary expertise to create and implement safeguards which anticipate dangerous consequences of failures, monitor failures and their consequences, lessen the likelihood of failures that might cause harm and take appropriate remedial actions. Silergy assumes no liability related to any default, damage, costs or problem in the customer's applications or products, or the application or use by customer's third-party buyers. Customer will fully indemnify Silergy, its subsidiaries, and their representatives against any damages arising out of the use of any Silergy components in safety-critical applications. It is also buyers' sole responsibility to warrant and guarantee that any intellectual property rights of a third party are not infringed upon when integrating Silergy products into any application. Silergy assumes no responsibility for any said applications or for any use of any circuitry other than circuitry entirely embodied in a Silergy product.
- 3. Limited warranty and liability.** Information furnished by Silergy in this document is believed to be accurate and reliable. However, Silergy makes no representation or warranty, expressed or implied, as to the accuracy or completeness of such information and shall have no liability for the consequences of use of such information. In no event shall Silergy be liable for any indirect, incidental, punitive, special or consequential damages, including but not limited to lost profits, lost savings, business interruption, costs related to the removal or replacement of any products or rework charges, whether or not such damages are based on tort or negligence, warranty, breach of contract or any other legal theory. Notwithstanding any damages that customer might incur for any reason whatsoever, Silergy' aggregate and cumulative liability towards customer for the products described herein shall be limited in accordance with the Standard Terms and Conditions of Sale of Silergy.
- 4. Suitability for use.** Customer acknowledges and agrees that it is solely responsible for compliance with all legal, regulatory and safety-related requirements concerning its products, and any use of Silergy components in its applications, notwithstanding any applications-related information or support that may be provided by Silergy. Silergy products are not designed, authorized or warranted to be suitable for use in life support, life-critical or safety-critical systems or equipment, nor in applications where failure or malfunction of an Silergy product can reasonably be expected to result in personal injury, death or severe property or environmental damage. Silergy assumes no liability for inclusion and/or use of Silergy products in such equipment or applications and therefore such inclusion and/or use is at the customer's own risk.
- 5. Terms and conditions of commercial sale.** Silergy products are sold subject to the standard terms and conditions of commercial sale, as published at <http://www.silergy.com/stdterms>, unless otherwise agreed in a valid written individual agreement specifically agreed to in writing by an authorized officer of Silergy. In case an individual agreement is concluded only the terms and conditions of the respective agreement shall apply. Silergy hereby expressly objects to and denies the application of any customer's general terms and conditions with regard to the purchase of Silergy products by the customer.
- 6. No offer to sell or license.** Nothing in this document may be interpreted or construed as an offer to sell products that is open for acceptance or the grant, conveyance or implication of any license under any copyrights, patents or other industrial or intellectual property rights. Silergy makes no representation or warranty that any license, either express or implied, is granted under any patent right, copyright, mask work right, or other intellectual property right. Information published by Silergy regarding third-party products or services does not constitute a license to use such products or services or a warranty or endorsement thereof. Use of such information may require a license from a third party under the patents or other intellectual property of the third party, or a license from Silergy under the patents or other intellectual property of Silergy.

For more information, please visit: [www.silergy.com](http://www.silergy.com)

©2018 Silergy Corp.

All Rights Reserved.

# Mouser Electronics

Authorized Distributor

Click to View Pricing, Inventory, Delivery & Lifecycle Information:

[Silergy:](#)

[SY21195IADC](#)