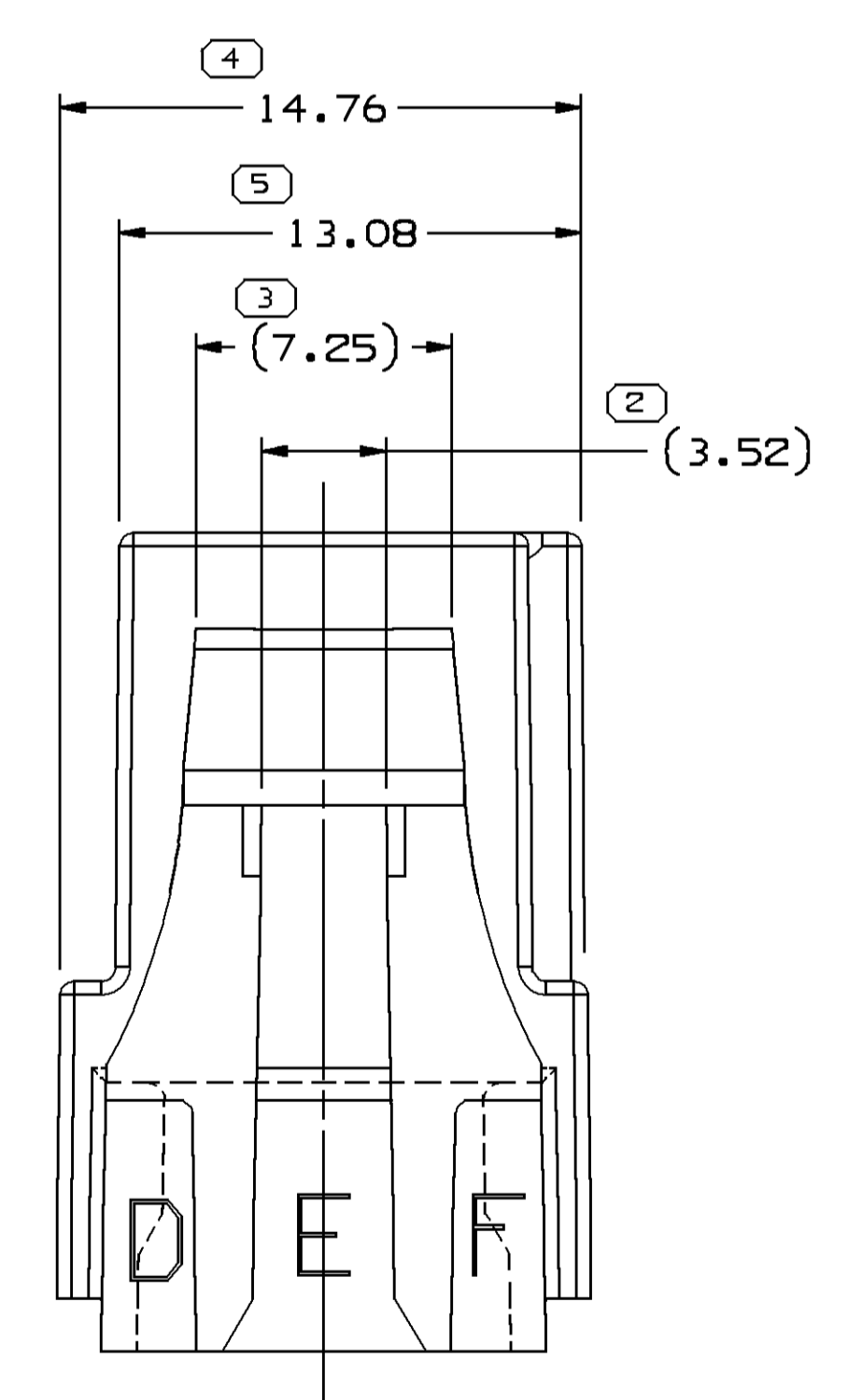
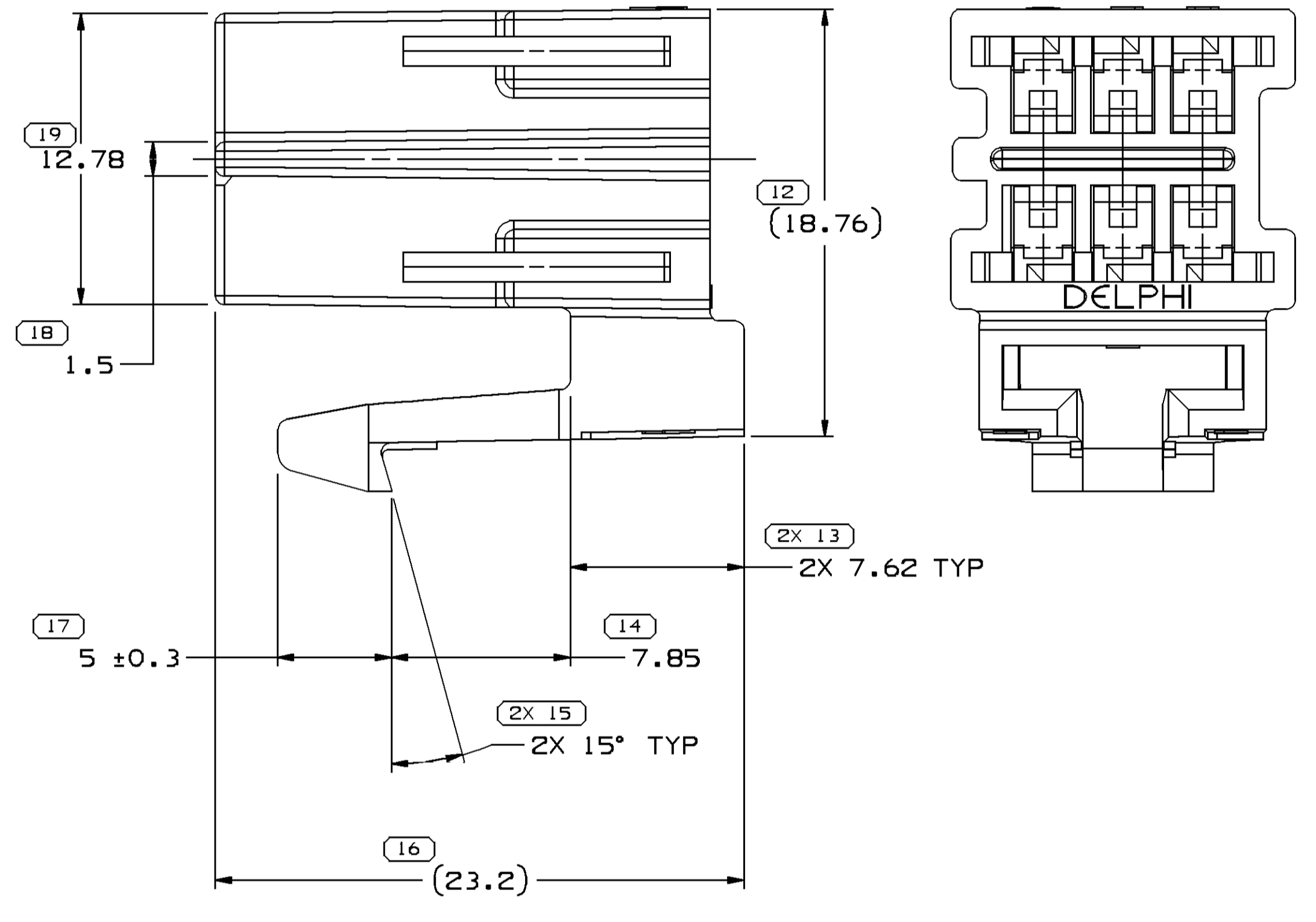
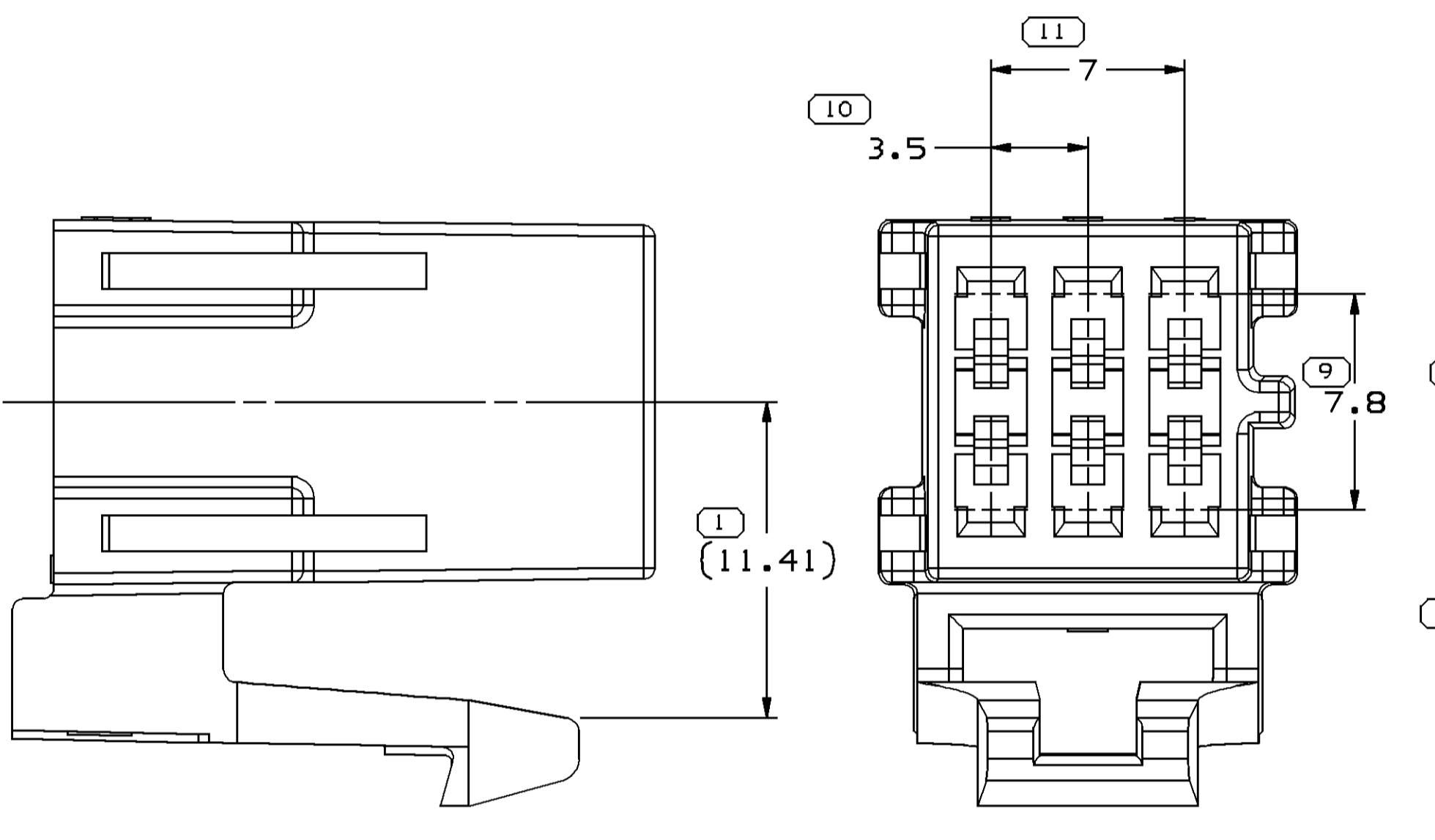
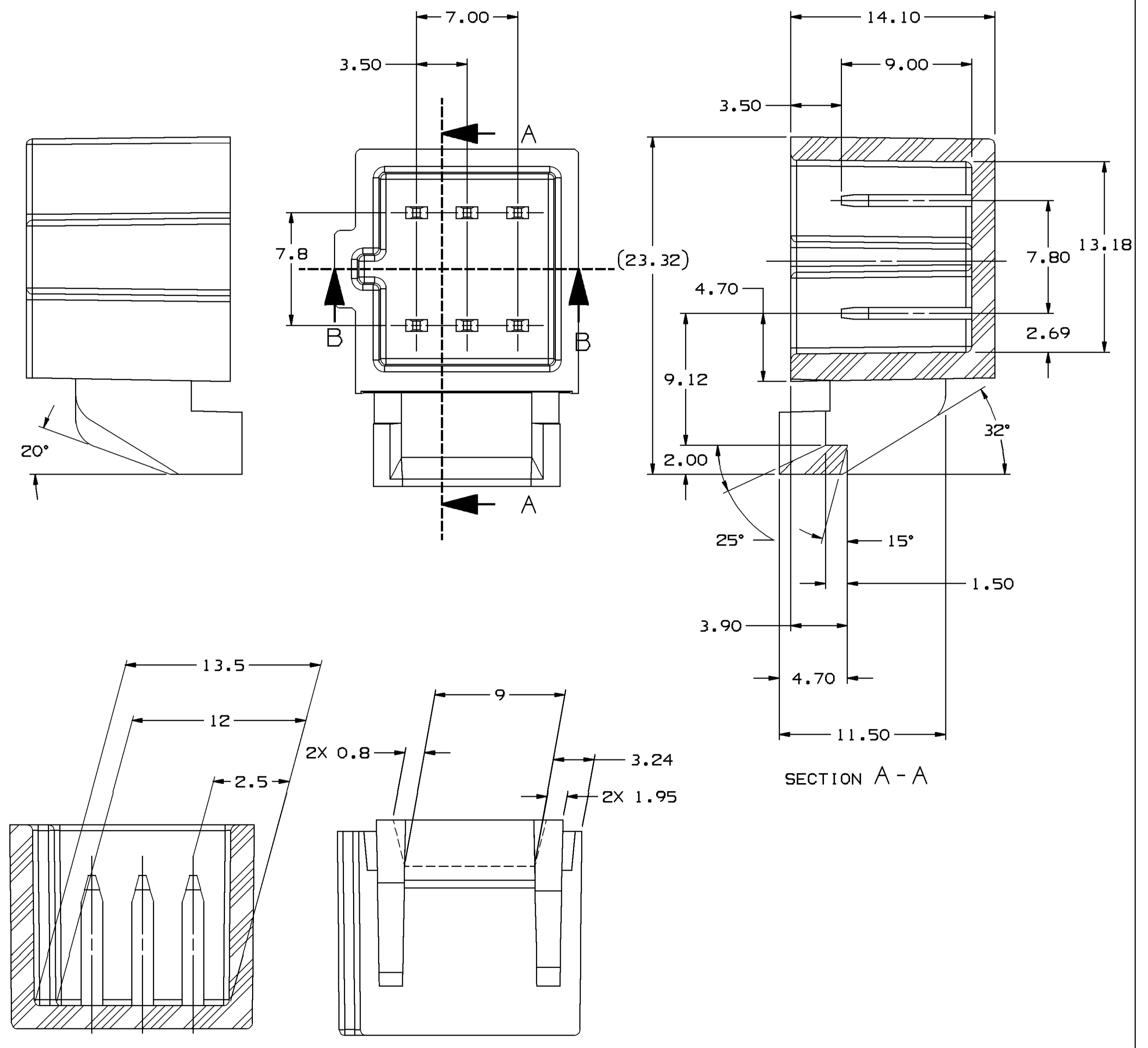
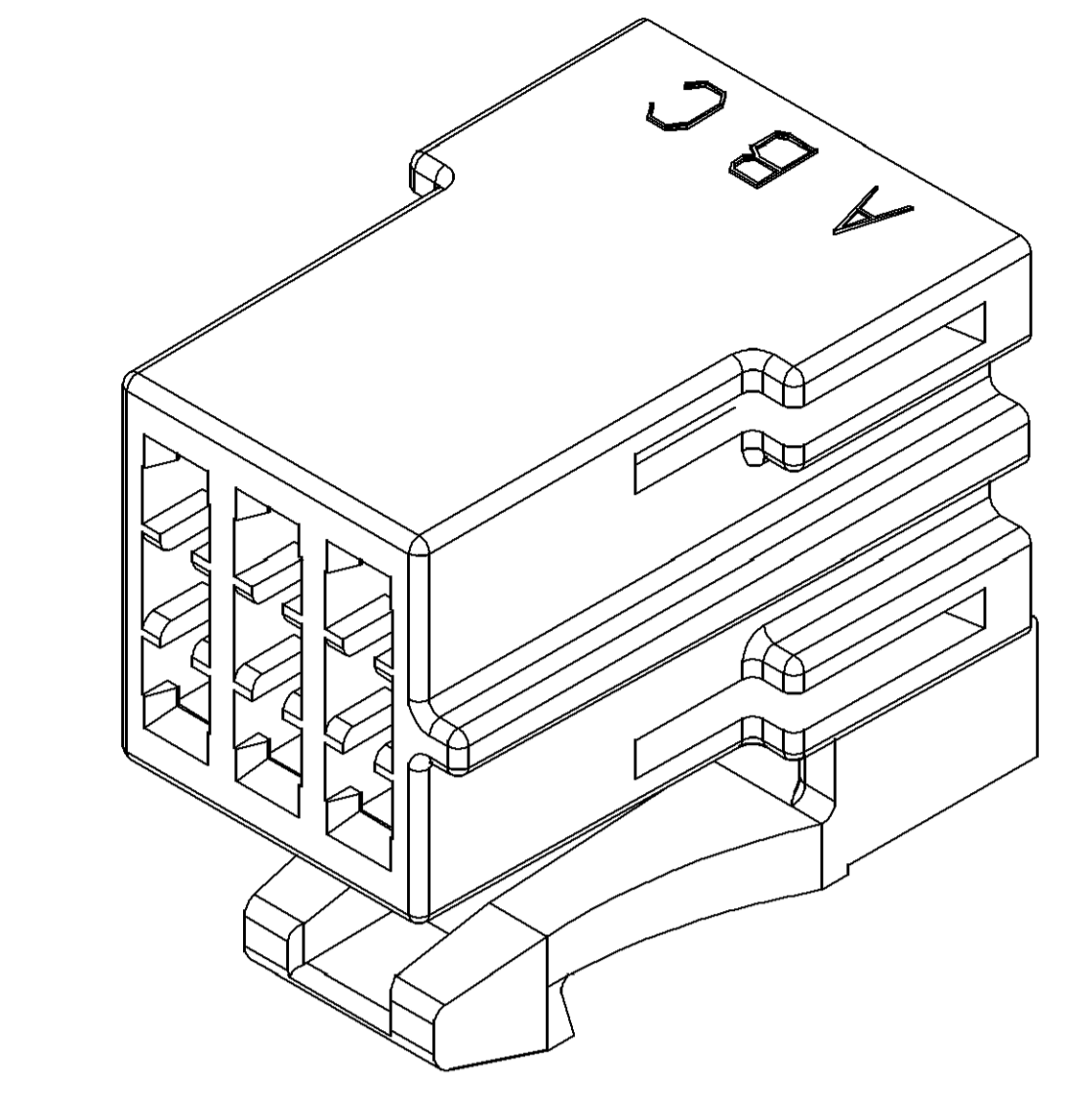
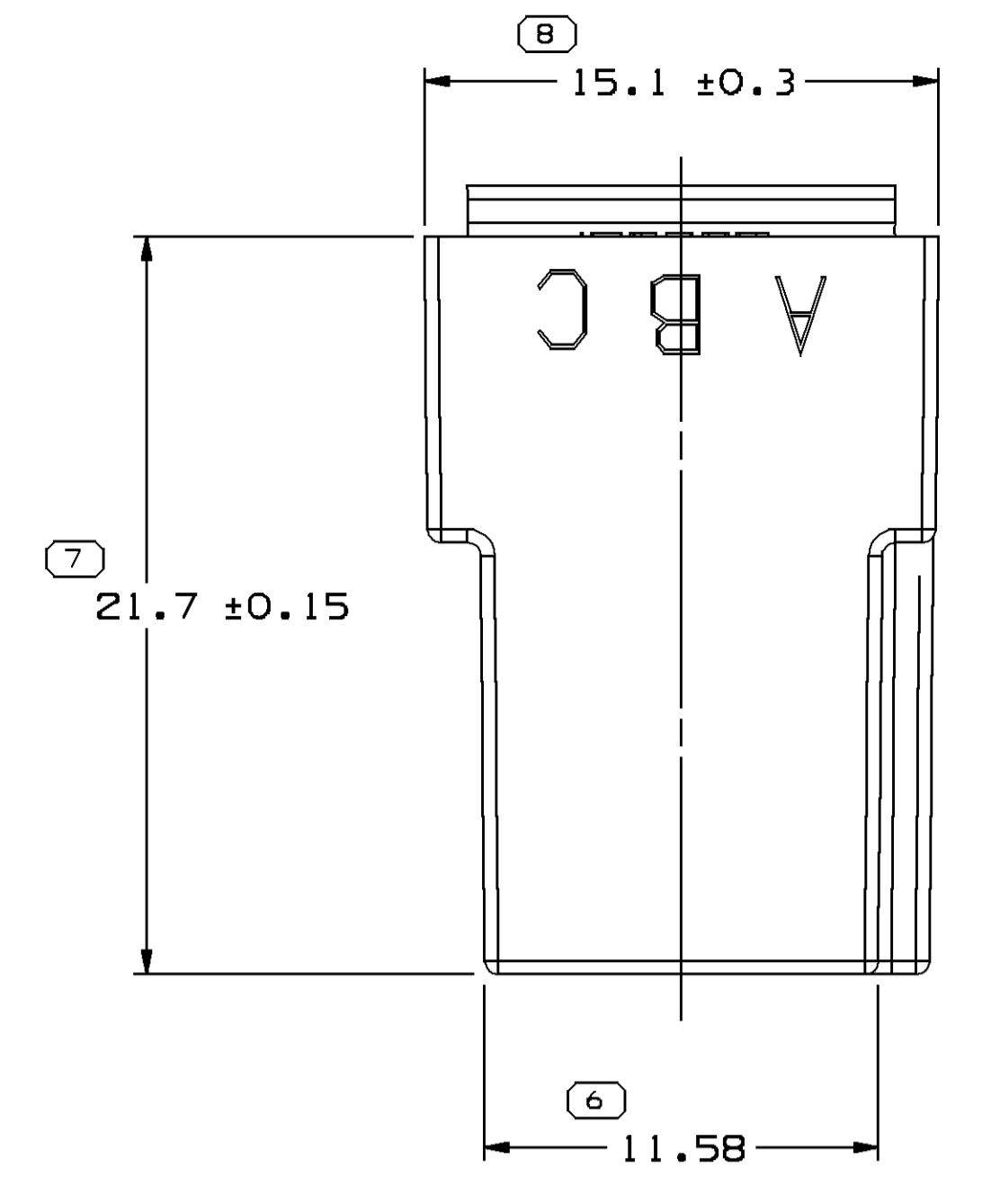


SYMBOL DEFINITION		TOTAL NO OF INSPECTIONS REQUIRED	MISSING SYMBOLS
A DIMENSION WITHOUT AN INSPECTION REPORT SYMBOL DOES NOT REQUIRE INSPECTION. IT MAY BE CONTROLLED ON THE INDIVIDUAL COMPONENT DRAWING.		21	NO MISSING SYMBOL NUMBER
LAST NO. USED		19	

DWG STATUS				REVISION HISTORY		AUTH	
DATE	STG	REV	N/P	CHG	ZONE	DATE	BY
03AU96	R	A	-	-	-	179413	JBS/MVA
14AP97	R	A1	-	-	-	179413	JBS/FRV
18FE09	R	A2	-	-	-	407227	TBR/DGL/PTG



MATING CONNECTOR INFORMATION

- NOTES:
- UNLESS OTHERWISE SPECIFIED AND/OR INDICATED: DIMENSIONS ARE TO FACE OF VIEW SHOWN AND AUTOMATICALLY ROUNDED BY COMPUTER FOR INSPECTION. (SEE MATH MODEL FOR PRECISE DIMENSION) FOR ALL OTHER DIMENSIONS NOT SHOWN BUT REQUIRED FOR TOOL BUILD, SEE MATH MODEL FOR PRECISE TOOL PATH DATA. ALL RADII 0.40 DRAFT IS 0°30' ON ALL OUTSIDE SURFACES

- NOTES
- UNLESS OTHERWISE SPECIFIED AND/OR INDICATED: DIMENSIONS ARE TO FACE OF VIEW SHOWN AND AUTOMATICALLY ROUNDED BY COMPUTER FOR INSPECTION (SEE MATH MODEL FOR PRECISE DIMENSIONS). FOR ALL OTHER DIMENSIONS NOT SHOWN BUT REQUIRED FOR TOOL BUILD, SEE MATH MODEL FOR PRECISE TOOL PATH DATA.
  - MATERIAL RECYCLING CODE PER ISO 11469, (2.3)X(0.1) CHARACTERS AS SHOWN TO BE LOCATED ON ANY EXTERIOR SURFACE. OPTIONAL CONSTRUCTION TO BE NO MATERIAL RECYCLING CODE.
  - THIS PRODUCT IS NOT CATEGORIZED AS AN APPEARANCE ITEM, MINOR IMPERFECTIONS INCLUDING, BUT NOT LIMITED TO, FLOW MARKS, COLOR BLEMISHES, GATE VESTIGE, AND SOFT FLASH THAT DO NOT AFFECT THE FIT, FORM, OR FUNCTION OF THE PART ARE PERMISSIBLE PER NAP 4.10-18.
  - THIS PART IS NOT CONTROLLED FOR AUTOMATIC FEEDING.
  - (1.0)X(0.1) DELPHI CORPORATE BRAND TO BE LOCATED ON ANY EXTERIOR SURFACE, PREFERABLY VISIBLE AT FINAL ASSEMBLY. OPTIONAL CONSTRUCTION FOR EXISTING TOOLING MAY BE "PED" OR NO LOGO.
  - FOR APPLICATION DATA SEE THE APPLICATION DRAWING.

DIMENSIONAL RANGE (MM)	TOLERANCE UNLESS OTHERWISE SPECIFIED	ANGLE OR TOLERANCE 2°
FROM > 0 TO > 20	±0.2	
> 20 TO > 30	±0.3	
> 30 TO > 70	±0.4	
> 70 TO > 100	±0.5	
> 100 TO > 150	±0.6	
> 150 TO > 200	±0.7	
> 200 TO > 250	±0.8	
> 250 TO > 300	±1.0	
> 300 TO > 400	±1.2	

PART DRAWING	
STYLE	
VOLUME 10/1	2,240
DISTR CODE	D
UNLESS OTHERWISE SPECIFIED	
THIS DOCUMENT IS IN ACCORDANCE WITH ASME Y14.5M-1994 AS MODIFIED BY THE IN-SUPPLY DIMENSIONING AND TOLERANCE ADDENDUM-2009. SEPARATE WRITINGS OF FEATURES MAY BE BASED SEPARATELY PER-ROLEE OF DRAWING REFERENCES.	
ALL DIMENSIONS ARE IN MILLIMETERS	
THIRD ANGLE PROJECTION	
DO NOT SCALE	
USE MATH DATA	

**DELPHI**  
DELPHI PACKARD ELECTRICAL/ELECTRONIC ARCHITECTURE  
WVREN, OH

DR	DATE
APV01 J. BARQUIN	03AU96
APV02 MANUEL VEGA	12AU96
APV03 V. KUMAR	16AU96
APV04	

SUBSTANCES OF CONCERN AND RECYCLED CONTENT PER DELPHI 10949001

MATERIAL: POLYAMIDE COMPOUND YELLOW

DRAWING NAME: CONN 6 F M/P 150

DRAWING NUMBER: 15305286

SIZE	SCALE	FRAME NO	SHEET NO	REV	N/P
A0	5:1	1	1	1	A2