



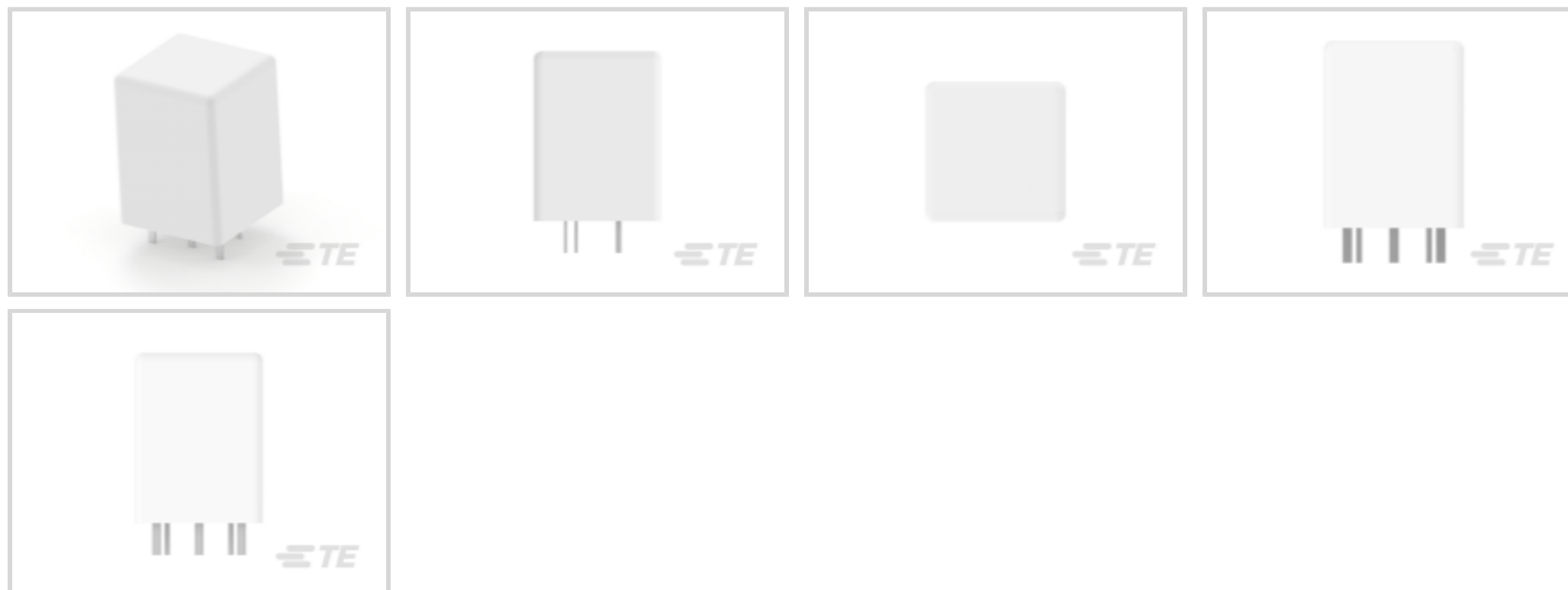
SCHRACK | SCHRACK Miniature Power PCB Relay PB

TE Internal #: 7-1415029-1

Power Relays, Standard, Monostable, DC, 360 mW Coil Power Rating DC, 100 Ω Coil Resistance, SCHRACK Miniature Power PCB Relay PB

[View on TE.com >](#)

Relays, Contactors & Switches > Relays > Power Relays



- Power Relay Type: **Standard**
- Coil Magnetic System: **Monostable, DC**
- Coil Power Rating DC: **360 mW**
- Coil Resistance: **100 Ω**
- Coil Special Features: **UL Coil Insulation Class F**

Features

Product Type Features

Power Relay Type	Standard
------------------	----------

Electrical Characteristics

Insulation Initial Dielectric Between Coil & Contact Class	1500 – 2500 V
Insulation Initial Dielectric Between Open Contacts	1000 Vrms
Contact Limiting Making Current	15 A
Contact Limiting Short-Time Current	10 A
Contact Limiting Continuous Current	10 A
Insulation Creepage Class	3 – 5.5 mm
Coil Power Rating Class	300 – 400 mW
Insulation Initial Dielectric Between Contacts & Coil	2500 Vrms
Insulation Creepage Between Contact & Coil	4 mm [.157 in]
Contact Limiting Breaking Current	10 A
Coil Magnetic System	Monostable, DC
Coil Power Rating DC	360 mW

Coil Resistance	100 Ω
Coil Special Features	UL Coil Insulation Class F
Coil Voltage Rating	6 VDC
Contact Switching Voltage (Max)	400 VAC
Contact Voltage Rating	250 VAC

Body Features

Insulation Special Features	Tracking Index of Relay Base PTI250
Product Weight	5.4 g[.19 oz]

Contact Features

Contact Arrangement	1 Form C (CO)
Contact Current Class	5 – 10 A, 16 A
Contact Current Rating (Max)	10 A
Contact Material	AgNi90/10
Contact Number of Poles	1
Relay Terminal Type	PCB-THT

Mechanical Attachment

Relay Mounting Type	Printed Circuit Board
---------------------	-----------------------

Dimensions

Length Class (Mechanical)	14 – 16 mm
Insulation Clearance Class	2.5 – 4 mm
Height Class (Mechanical)	16 – 20 mm
Insulation Clearance Between Contact & Coil	3 mm[.118 in]
Width Class (Mechanical)	12 – 16 mm
Product Width	15 mm[.591 in]
Product Length	15 mm[.591 in]
Product Height	20 mm[.787 in]

Usage Conditions

Environmental Ambient Temperature Class	70 – 85 $^{\circ}$ C
Environmental Ambient Temperature (Max)	85 $^{\circ}$ C[185 $^{\circ}$ F]

Packaging Features

Packaging Method	Tube
------------------	------



Product Compliance

[For compliance documentation, visit the product page on TE.com>](#)

EU RoHS Directive 2011/65/EU	Compliant
EU ELV Directive 2000/53/EC	Compliant
China RoHS 2 Directive MIIT Order No 32, 2016	No Restricted Materials Above Threshold
EU REACH Regulation (EC) No. 1907/2006	Current ECHA Candidate List: JUNE 2023 (235) Candidate List Declared Against: JUNE 2023 (235) Does not contain REACH SVHC
Halogen Content	Not Low Halogen - contains Br or Cl > 900 ppm.
Solder Process Capability	Wave solder capable to 265°C

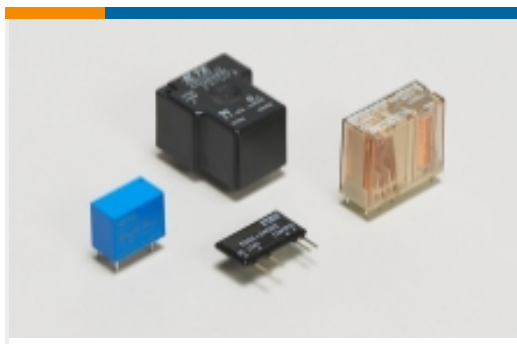
Product Compliance Disclaimer

This information is provided based on reasonable inquiry of our suppliers and represents our current actual knowledge based on the information they provided. This information is subject to change. The part numbers that TE has identified as EU RoHS compliant have a maximum concentration of 0.1% by weight in homogenous materials for lead, hexavalent chromium, mercury, PBB, PBDE, DBP, BBP, DEHP, DIBP, and 0.01% for cadmium, or qualify for an exemption to these limits as defined in the Annexes of Directive 2011/65/EU (RoHS2). Finished electrical and electronic equipment products will be CE marked as required by Directive 2011/65/EU. Components may not be CE marked. Additionally, the part numbers that TE has identified as EU ELV compliant have a maximum concentration of 0.1% by weight in homogenous materials for lead, hexavalent chromium, and mercury, and 0.01% for cadmium, or qualify for an exemption to these limits as defined in the Annexes of Directive 2000/53/EC (ELV). Regarding the REACH Regulation, the information TE provides on SVHC in articles for this part number is based on the latest European Chemicals Agency (ECHA) 'Guidance on requirements for substances in articles' posted at this URL: <https://echa.europa.eu/guidance-documents/guidance-on-reach>

Compatible Parts

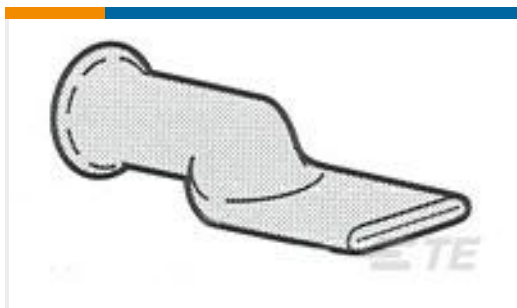
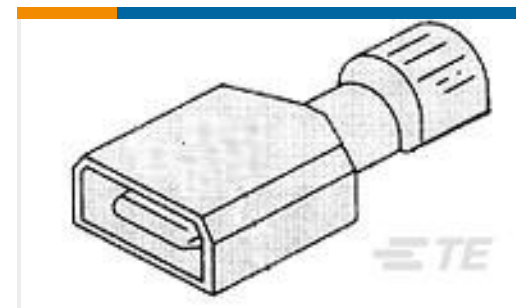
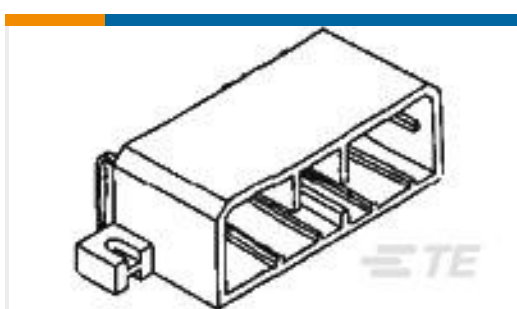


Also in the Series | [SCHRACK Miniature Power PCB Relay PB](#)



Power Relays(38)

Customers Also Bought

TE Part #325614
TERMINAL,AMPOWER 4/0 0TE Part #87133-1
04 LOCKING CLIP HSG DR .100CLTE Part #34140
PG R 22-16 COMM 22-18 MIL 2TE Part #4-521097-2
ULTRA-FAST 250 ASY TAB 12-10 AWG
TPBRTE Part #61761-2
187 FASTON TAB TPBRTE Part #1676474-2
RN 0805 9K53 0.1% 10PPM 1KRLTE Part #2-2176092-3
RP 2A 0.25W 1K15 0.1% 25PPM 1K RLTE Part #2351449-1
UMINSA SW RLEV0.74N 0.1A/30VDC
SC PCBTE Part #173862-1
070 MULTILOCK CAP ASSY 18PTE Part #2-34150-1
PG R 22-16 COMM 22-18 MIL 1/4

Documents

CAD Files

Customer View Model

[ENG_CVM_CVM_7-1415029-1_B1.3d_igs.zip](#)

English

Customer View Model

[ENG_CVM_CVM_7-1415029-1_B1.3d_stp.zip](#)

English

Customer View Model

[ENG_CVM_CVM_7-1415029-1_B1.2d_dxf.zip](#)



English

[3D PDF](#)

[3D](#)

By downloading the CAD file I accept and agree to the [Terms and Conditions](#) of use.

[Datasheets & Catalog Pages](#)

[Miniature Power PCB Relay PB](#)

English

[Product Specifications](#)

[Definitions General Purpose Relays](#)

English

[Agency Approvals](#)

[VDE Certificate](#)

English