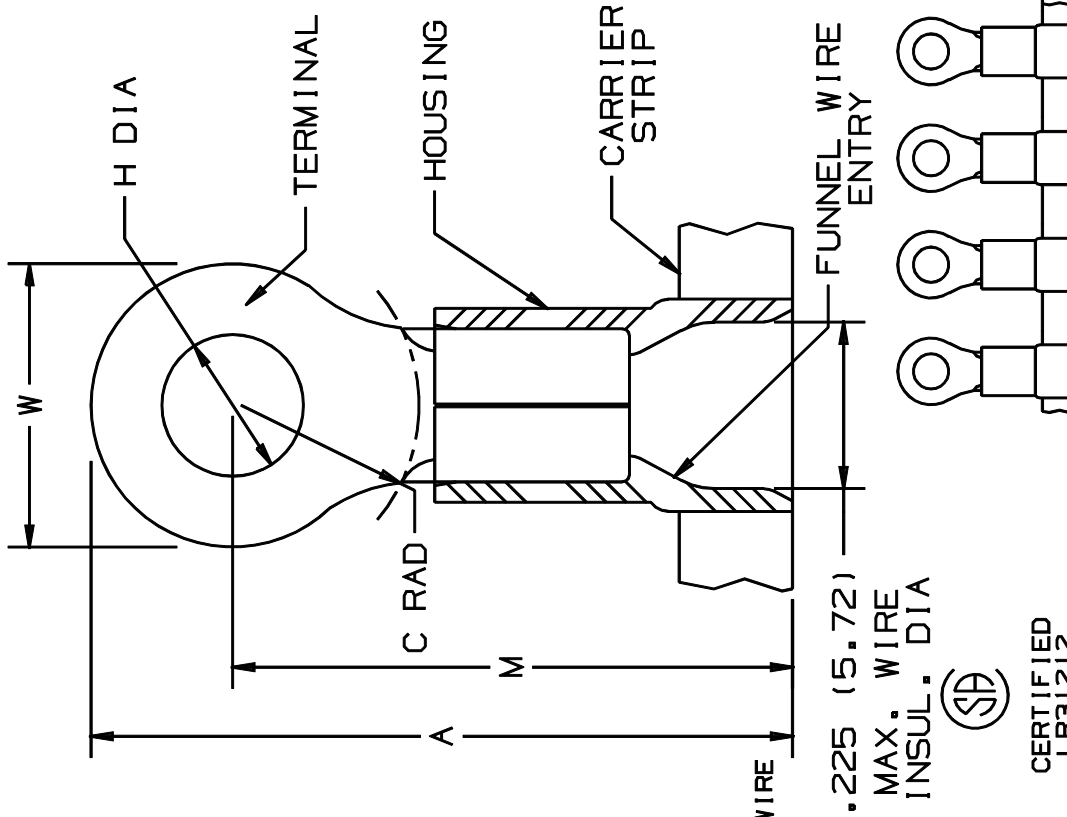


THIS COPY IS PROVIDED ON A RESTRICTED BASIS AND IS NOT TO BE USED IN ANY WAY DETRIMENTAL TO THE INTERESTS OF PANDUIT CORP.

PANDUIT PART NUMBER	STUD SIZE	DIMENSIONS in.				
		A ±.03	W ±.01	C ±.02	M ±.01	H ±.01
PV10-6RB-2K	#6	1.02 (25.91)	.31 (7.87)	.31 (7.87)	.86 (21.84)	.15 (3.81)
PV10-8RB-2K	#8	1.02 (25.91)	.31 (7.87)	.31 (7.87)	.86 (21.84)	.17 (4.32)
PV10-10RB-2K	#10	1.02 (25.91)	.31 (7.87)	.31 (7.87)	.86 (21.84)	.20 (5.08)
PV10-14RB-2K	1/4"	1.20 (30.48)	.52 (13.21)	.38 (9.65)	.94 (23.88)	.27 (6.86)
PV10-56RB-2K	5/16"	1.20 (30.48)	.52 (13.21)	.38 (9.65)	.94 (23.88)	.33 (8.38)
PV10-38RB-2K	3/8"	1.23 (31.24)	.58 (14.73)	.38 (9.65)	.94 (23.88)	.39 (9.91)

NOTES :

- UL LISTED AND CSA CERTIFIED FOR :
 A. 600 V MAX. VOLTAGE RATING
 B. 221°F (105°C) MAX. TEMP. RATING
 C. #12-10 AWG (2.5-6.0 mm²) SOLID OR STRANDED, COPPER WIRE
- PACKAGE QTY. : 2K = 2000 PCS.
CONTINUOUS MOLDED CARRIER STRIP
- MATERIAL :
 A. STAMPING - .04" THK COPPER, TIN PLATED
 B. HOUSING - YELLOW VINYL
- DIMENSIONS IN BRACKETS ARE IN MILLIMETERS
- INSTALLATION TOOLS :
 A. PRESSES - CP-851, CP-860, CP-861
 B. APPLICATOR - CA-800
 C. DIE INSERTS - CD-800-3
- WIRE STRIP LENGTH: 11/32 +1/32 -0 (8.7 +.8 -0)



A41067_03

PANDUIT CORP.

TINLEY PARK, ILLINOIS

TERMO 2PC. CONTINUOUSLY MOLDED VINYL INSULATED, #12-10 BARREL, RINGS

SCALE NONE DRAWING NO. A41067

REV	DATE	BY	CHK	DESCRIPTION	ECN #	CUST	PM
03	1/98	TM		UPDATED "M" DIMENSIONS			
02	3/95	MS	RLS	UPDATED NOTES AND DIMENSIONS	03114	TJP	KS
01	3/88	CK		REDRAWN ON CAD		LA	KS