

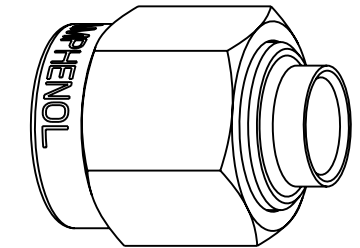
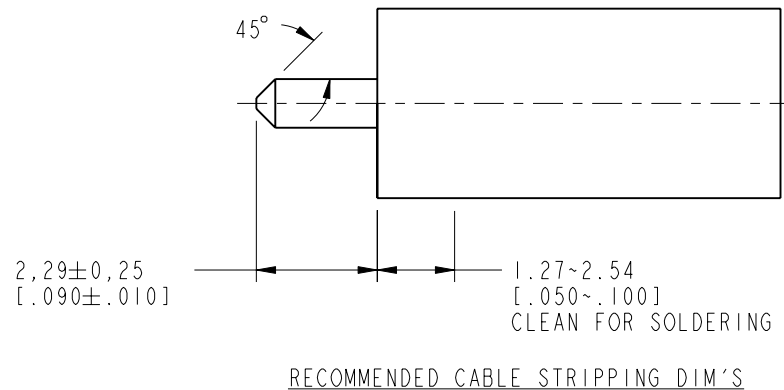
NOTES:

- MATERIALS AND FINISHES(PLATING THICKNESS IN MICRO-INCHES):
 BODY - STAINLESS STEEL, GOLD PLATED (.000030 MIN) OVER NICKEL (.000100 MIN).
 COUPLING NUT - STAINLESS STEEL, PASSIVATED
 CONTACT - BERYLLIUM COPPER, GOLD PLATED (.000030 MIN) OVER NICKEL (.000080 MIN).
 INSULATOR - PTFE, NATURAL
 GASKET - SILICONE RUBBER, RED
 RETAINING RING - BERYLLIUM COPPER or SUS 304
- ELECTRICAL:
 A. IMPEDANCE: 50 OHM
 B. FREQUENCY RANGE: DC - 18 GHz
 C. VSWR(RETURN LOSS): 1.05 +.005f (GHz), MAX.
 D. DIELECTRIC WITHSTANDING VOLTAGE: 1000 VRMS, MIN.
- MECHANICAL:
 A. DURABILITY: 500 CYCLES MIN.
 B. TEMPERATURE RANGE: -65°C TO +165°C
- PACKAGE CONNECTOR IN ANTI-STATIC BAG 999-284.
 MARK BAG: AMPHENOL, 901-9808, DATE CODE, AND WORK ORDER NUMBER

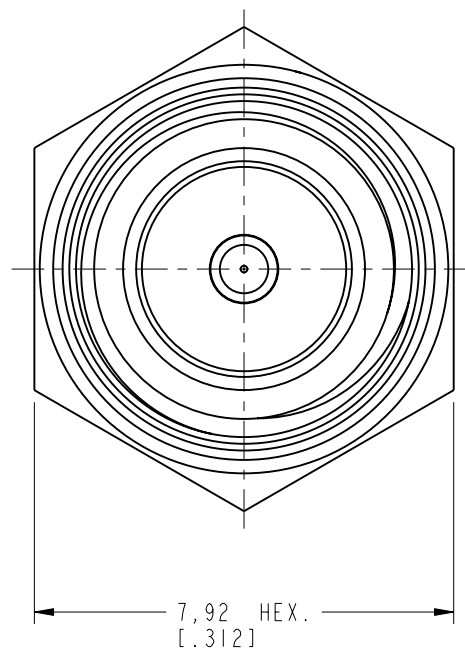
THIRD ANGLE PROJ.

REVISIONS

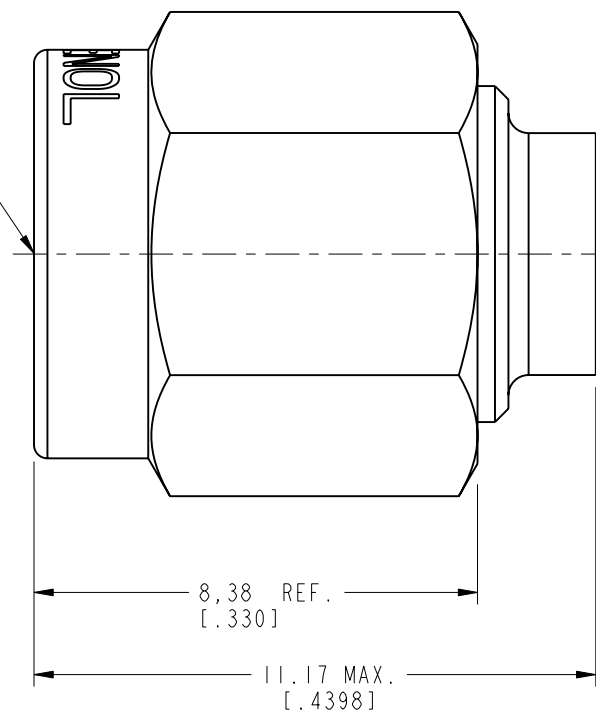
REV	DESCRIPTION	DATE	ECO	APPR
--	RELEASE TO MFG.	--	--	--
G	SEE SHEET I	10-Jul-06	46149	CPM
H	THE DRAWING'S FORMAT WAS CHANGED	27-Sep-07	-	SH
I	11.17 MAX. WAS 10.62 MAX. PER RD-DM08102201B	03-Nov-08	-	SH
J	SEE SHEET I	28-Sep-09	-	SH
K	SYNCH THE DRAWING WITH DANBURY	19-Jun-12	48810	SH



SCALE 3.500



INTERFACE PER
AMPHENOL SPEC.
349-50623



CUSTOMER OUTLINE DRAWING

ALL OTHER SHEETS ARE FOR INTERNAL USE ONLY

UNLESS OTHERWISE SPECIFIED, DIMENSIONS ARE IN METRIC AND TOLERANCES ARE: <0.5mm ±0.05mm 0.5 - 6mm ±0.1mm 6 - 30mm ±0.2mm 30 - 120mm ±0.3mm ANGLES ±1°	MATERIAL	DRAWN R. MAO	DATE 14-May-12	TITLE SMA MALE STRAIGHT (FOR .141 SEMI-RIGID)		Amphenol RF www.amphenolrf.com	
	NOTICE - These drawings, specifications, or other data (1) are, and remain the property of Amphenol corp. (2) must be returned upon request; and (3) are confidential and not to be disclosed to any person other than those to whom they are given by Amphenol Corp. the furnishing of these drawings, specifications, or other data by Amphenol Corp., or to any other person to anyone for any purpose is not to be regarded by implication or otherwise in any manner licensing, granting rights to permitting such holder or any other person to manufacture, use or sell any product, process or design, patented or otherwise, that may in any way be related to or disclosed by said drawings, specifications, or other data.	REFERENCE EAR 961995-1 ROCKWELL, 357-0142-010; 615X-1116-100 GEN# ASSYM4_SMA	ENGINEER O. BARTHELMES				
FINISH		APPROVED S. HSIEH	DATE 14-May-12	ITEM NO. 901-9808			
		CAD FILE I:\SMA\901-9808	SCALE: 7.0:1.0	SHEET 2 OF 2	PART NO. 901-9808		
		DWG SIZE B	REV K				

Mouser Electronics

Authorized Distributor

Click to View Pricing, Inventory, Delivery & Lifecycle Information:

[Amphenol:](#)

[901-9808](#)