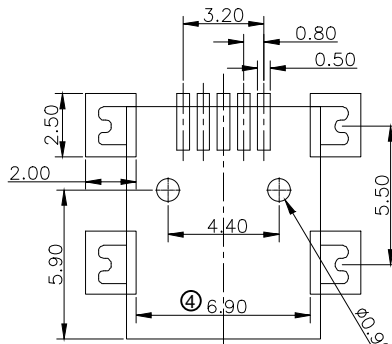
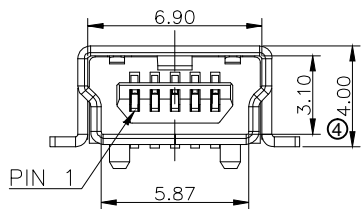
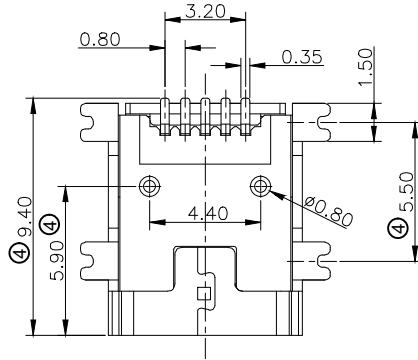
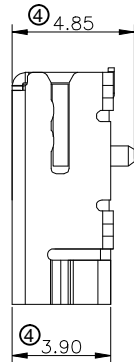
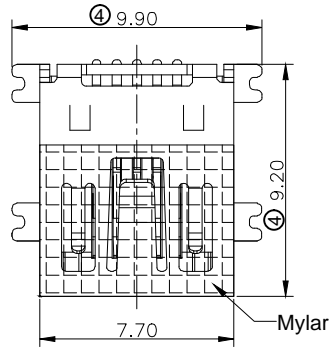


### ③ USB 2.0 COMPLIANT



Recommended P.C.Board Layout  
(Tolerance:±0.05)

#### ④ NOTES:

##### ④1. MATERIAL:

- 1.1 Housing: LCP+30%GF UL94V-0, Color Black
- 1.2 Contact : C5191-EH, T=0.25mm
- 1.3 Shell: C2680R-H, T=0.40mm

##### 2. FINISH:

##### 2.1 Contact:

- Contact Area: Selective 30u" Au
- Solder Area: 100u" MIN Tin Plated
- Under Plate: 50u" MIN Ni Plated

##### 2.2 Shell: Ni Plated

##### ④ 3. MECHANICAL:

- 3.1 Mating Force: 3.57 kgf MAX
- 3.2 Unmating Force: 0.3 kgf MIN
- 3.3 Durability: 5000 Cycles MIN

##### ④ 4. ELECTRICAL:

- ⑥ 4.1 Current Rating: 1.8A Max
- 4.2 Dielectric Strength: 100V AC For 1 Minute
- 4.3 Contact Resistance: 50mΩ MAX
- 4.4 Insulation Resistance: 100MΩ MIN

##### ⑤ 4.5 Voltage Rating: 30VAC

##### ④ 5. OPERATING TEMPERATURE: -55°C To +85°C.

##### ⑤④ 6. SOLDERING TEMPERATURE: +255°C±5°C for 3~5 S PACKING: Tape&Reel+mylar

**RoHS compliant**  
Unit: mm

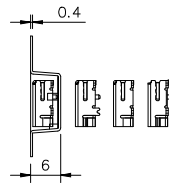
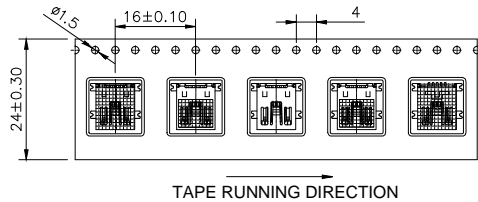
Scale	Free	⑥	Update current rating	12.05.2020	Luca		Date	Name	Customer-No.
<b>TOLERANCE</b>		⑤	Update	31.10.2019	Carson	Drawn	25.03.2006	Alex	ASSMANN WSW-No. <b>A-USB B-M5-SMD-C</b>
.X	±0.30	④	Update	23.05.2018	Segal	Approved	12.05.2020	Luca	
.XX	±0.20	③	Add "USB 2.0 COMPLIANT"	19.08.2013	Amy				
.XXX	±0.10	②	Update	07.07.2009	Dean				Drawing-No.
DIM	TOL	①	Drawn	25.03.2006	Alex				<b>ASS 1456D CO</b>
X.°	±5°								rev06
.X°	±3°								
Angle	TOL	Id.	Modification	Date	Name			Replace	SHEET



**ASS 1456D CO** rev06

Replace SHEET

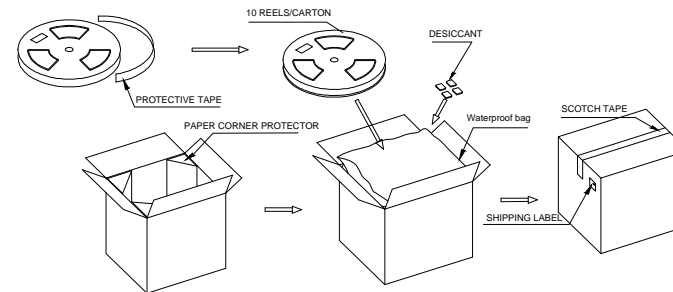
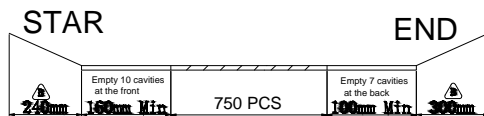
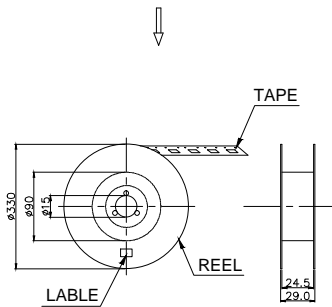
# USB 2.0 COMPLIANT



6	WATERPROOF BAG	1	PCS
5	PAPER CORNER PROTECTOR	4	PCS
4	SHIPPING LABEL	1	PCS
3	CARTON	1	PCS
2	DESCCANT	4	PCS
1	REEL	10	SET
ITEM	DESCRIPTION	QTY	UNIT

### Notes:

- Quantity: 750 PCS/Reel/10 Reels/7.5K PCS/Carton. If the order or mantissa less than 5pcs, can reasonable select carton size.
- 4 bags desiccant/Carton.
- The carton sealed with scotch tape, and attach shipping label on the side.
- Carton size: A=A 35.5X35X33.5 cm, Reel size: Ø330X29 mm.



## RoHS compliant

Unit: mm

Scale	Free	⑥	Update current rating	12.05.2020	Luca		Date	Name	Customer-No.	
TOLERANCE		⑤	Update	31.10.2019	Carson	Drawn	25.03.2006	Alex	ASSMANN WSW-No. <b>A-USB B-M5-SMD-C</b>	
.X	±0.30	④	Update	23.05.2018	Segal	Approved	12.05.2020	Luca		
.XX	±0.20	③	Add "USB 2.0 COMPLIANT"	19.08.2013	Amy					
.XXX	±0.10	②	Update	07.07.2009	Dean				Drawing-No.	
DIM	TOL	①	Drawn	25.03.2006	Alex				<b>ASS 1456D CO</b>	rev06
X.°	±5°									
.X°	±3°									
Angle	TOL	Id.	Modification	Date	Name					

