

5787082-9 ✓ ACTIVE

AMPLIMITE | AMPLIMITE 0.50 Series

TE Internal #: 5787082-9

PCB D-Sub Connectors, Receptacle, Cable-to-Board, 100 Position,
1.27 mm [.05 in] Centerline, 4 Row, Standard Profile, AMPLIMITE
0.50 Series

[View on TE.com >](#)



Connectors > D-Shaped Connectors > D-Sub Connectors > PCB D-Sub Connectors > D-Sub Receptacle Assembly: Right Angle, 1.27mm



Connector & Housing Type: **Receptacle**

Connector System: **Cable-to-Board**

Number of Positions: **100**

Centerline (Pitch): **1.27 mm [.05 in]**

Number of Rows: **4**

[All D-Sub Receptacle Assembly: Right Angle, 1.27mm \(74\)](#)

Features

Product Type Features

Shell Material Configuration	Full Metal Shell
Connector & Housing Type	Receptacle
Connector System	Cable-to-Board
Connector & Contact Terminates To	Printed Circuit Board

Configuration Features

Number of Positions	100
Number of Rows	4
PCB Mount Orientation	Right Angle

Body Features

Assembly Process Feature Material	Copper Alloy
Shell Plating Finish	Bright
Shell Plating Material	Nickel over Copper



Primary Product Color	Black
-----------------------	-------

Connector Profile	Standard
-------------------	----------

Contact Features

	30 μ m
--	------------

Contact Mating Area Plating Material	Gold, Gold Flash over Palladium Nickel
--------------------------------------	--

Contact Underplating Material	Nickel, Palladium Nickel
-------------------------------	--------------------------

PCB Contact Termination Area Plating Material	Tin, Tin over Nickel
---	----------------------

Contact Base Material	Phosphor Bronze
-----------------------	-----------------

Contact Current Rating (Max)	1 A
------------------------------	-----

Termination Features

Rectangular Termination Post & Tail Thickness	.3 mm[.011 in]
---	----------------

Rectangular Termination Post & Tail Width	.41 mm[.016 in]
---	-----------------

Termination Post & Tail Length	2.54 mm[.1 in]
--------------------------------	----------------

Termination Method to Printed Circuit Board	Through Hole - Solder
---	-----------------------

Mechanical Attachment

Assembly Process Feature Plating Material	Tin over Nickel
---	-----------------

Mounting Feature Plating Material	Nickel over Copper
-----------------------------------	--------------------

Mounting Feature Material	Zinc
---------------------------	------

Mounting Hole Diameter	2.77 mm[.109 in]
------------------------	------------------

Mating Alignment	Without
------------------	---------

PCB Mount Alignment	Without
---------------------	---------

PCB Mount Retention	With
---------------------	------

PCB Mount Retention Type	Boardlock
--------------------------	-----------

Mating Retention	With
------------------	------

Mating Retention Type	Latch
-----------------------	-------

Connector Mounting Type	Board Mount
-------------------------	-------------

Housing Features

Shell Material	Carbon Steel
----------------	--------------

Housing Material	Thermoplastic
------------------	---------------

Centerline (Pitch)	1.27 mm[.05 in]
--------------------	-----------------

Dimensions

PCB Thickness (Recommended)	1.57 mm[.062 in]
-----------------------------	------------------

Row-to-Row Spacing	2.54 mm[.1 in]
--------------------	----------------

Usage Conditions

Operating Temperature Range	-55 – 105 °C[-67 – 221 °F]
-----------------------------	----------------------------

Operation/Application

Shielded	Yes
Circuit Application	Signal

Industry Standards

Approved Standards	LR-86179-1, UL E28476
UL Flammability Rating	UL 94V-0

Packaging Features

Packaging Quantity	6
Packaging Method	Tube

Product Compliance

[For compliance documentation, visit the product page on TE.com>](#)

EU RoHS Directive 2011/65/EU	Compliant
EU ELV Directive 2000/53/EC	Compliant
China RoHS 2 Directive MIIT Order No 32, 2016	No Restricted Materials Above Threshold
EU REACH Regulation (EC) No. 1907/2006	Current ECHA Candidate List: JUNE 2023 (235) Candidate List Declared Against: JAN 2023 (233) Does not contain REACH SVHC
Halogen Content	Not Low Halogen - contains Br or Cl > 900 ppm.
Solder Process Capability	Reflow solder capable to 260°C

Product Compliance Disclaimer

This information is provided based on reasonable inquiry of our suppliers and represents our current actual knowledge based on the information they provided. This information is subject to change. The part numbers that TE has identified as EU RoHS compliant have a maximum concentration of 0.1% by weight in homogenous materials for lead, hexavalent chromium, mercury, PBB, PBDE, DBP, BBP, DEHP, DIBP, and 0.01% for cadmium, or qualify for an exemption to these limits as defined in the Annexes of Directive 2011/65/EU (RoHS2). Finished electrical and electronic equipment products will be CE marked as required by Directive 2011/65/EU. Components may not be CE marked. Additionally, the part numbers that TE has identified as EU ELV compliant have a maximum concentration of 0.1% by weight in homogenous materials for lead, hexavalent chromium, and mercury, and 0.01% for cadmium, or qualify for an exemption to these limits as defined in the Annexes of Directive 2000/53/EC (ELV). Regarding the REACH Regulation, the information TE provides on SVHC in articles for this part number is based on the latest European Chemicals Agency (ECHA) 'Guidance on requirements for substances in articles' posted at this URL: <https://echa.europa.eu/guidance-documents/guidance-on-reach>

Compatible Parts



TE Part # CAT-AM7-22507
IDC D-Sub: Connector Kit, Plug, Signal, 1.27 mm



TE Part # 5749111-8
100 50SR CABLE PLUG ASSY



TE Part # 786585-2
50SR SCREWLOCK KIT, FEMALE



TE Part # 749087-1
50SR SCREWLOCK KIT, FEMALE



TE Part # 749087-2
50SR SCREWLOCK KIT, FEMALE



TE Part # 749087-3
50SR SCREWLOCK KIT, FEMALE



TE Part # 786585-3
50SR SCREWLOCK KIT, BULK, FEMALE




TE Part # 5-749611-9
100 50SR PANEL MOUNT RCPT, ROHS



TE Part # 749087-4
50SR SCREWLOCK KIT, FEMALE


Also in the Series | AMPLIMITE 0.50 Series



Connector Backshells(31)



D-Sub Covers(20)



D-Sub Locking & Mounting(8)



IDC D-Sub Connectors(67)



Insertion & Extraction Tools(1)



PCB D-Sub Connectors(172)

Customers Also Bought



TE Part #5352332-1
Hard Metric Male Connector:
Traditional Backplane, Mezzanine,
2mm



TE Part #2-5748003-0
09 PLUG SP/FMS BRDLK



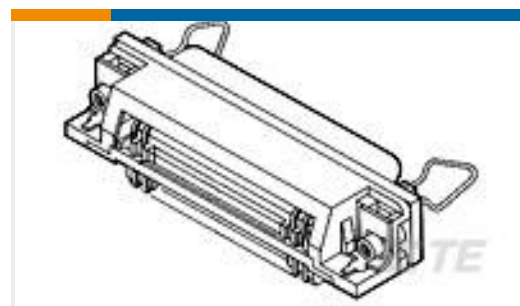
TE Part #5646547-1
Z-PACK A-B 25 COLUMN SHLD ASSY



TE Part #2065883-1
Zd Plus, 3 pair receptacle ass



TE Part #3-6318490-6
.5FHR04H,220,S,GIG,08/Sn,HT,NSYes



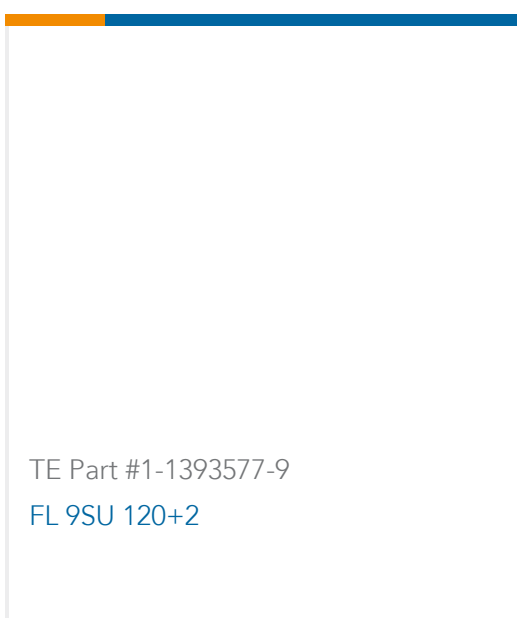
TE Part #5555139-1
RCPT, ASSY, LPF, 24 POSN,RTANG



TE Part #2309412-3
DDR4 SODIMM 260P 8.0H RVS



TE Part #2357739-1
16G,05FH,REC,220PIN,4H,Hard Tray



TE Part #1-1393577-9
FL 9SU 120+2

Documents

CAD Files

Customer View Model

[ENG_CVM_CVM_5787082-9_A.2d_dxf.zip](#)

English

3D PDF

3D

Customer View Model

[ENG_CVM_CVM_5787082-9_A.3d_igs.zip](#)



English

Customer View Model

[ENG_CVM_CVM_5787082-9_A.3d_stp.zip](#)

English

By downloading the CAD file I accept and agree to the [Terms and Conditions](#) of use.

Datasheets & Catalog Pages

[AMPLIMITE Subminiature D Connectors - .050 Series Connector](#)

English

[AMPLIMITE .050 Series D-sub Connectors QRG](#)

English

Product Specifications

[Application Specification](#)

English

Product Environmental Compliance

[TE Material Declaration](#)

English

Agency Approvals

[UL](#)

English