

# LQG15HSR27J02#

"#" indicates a package specification code.

Designed under Industrial Global Standard



## < List of part numbers with package codes >

LQG15HSR27J02B      LQG15HSR27J02D      LQG15HSR27J02J

## Applications

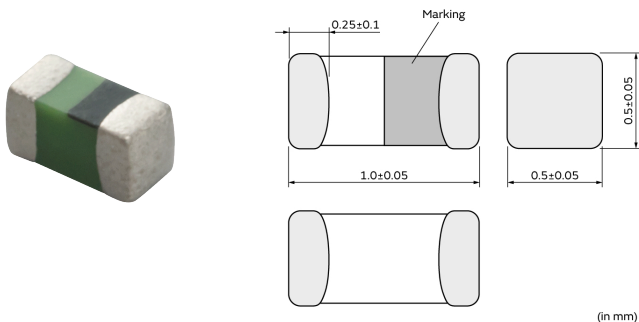
Unsuitable Applications	Please be sure to read and comply with these "Precautions for use."
Specific Applications	Consumer equipment, Medical equipment [GHTF A/B/C] except for implant & operation & auto-dispenser equipment, Industrial equipment except for transportation & facility & energy equipment Please refer to Our Website and specifications, etc. for information about the performance, functions, quality, management, and safety required for the above applications, and use Products after confirming the performance and reliability of the actual Product.

## References

Packaging	Specifications	Standard Packing Quantity
B	Bulk(Bag)	1000
D	180mm Paper Tape	10000
J	330mm Paper Tape	50000

Mass (typ.)	
1 piece	0.001g

## Appearance & Shape



**Attention**  
 1. This datasheet is downloaded from the website of Murata Manufacturing Co., Ltd. Therefore, its specifications are subject to change or our products in it may be discontinued without advance notice. Please check with our sales representatives or product engineers before ordering.  
 2. This datasheet has only typical specifications because there is no space for detailed specifications.  
 Therefore, please review our product specifications or consult the approval sheet for product specifications before ordering.

# LQG15HSR27J02#

“#” indicates a package specification code.



## Specifications

L size	1.0±0.05mm
W size	0.5±0.05mm
T size	0.5±0.05mm
Size code inch (mm)	0402 (1005)
Inductance	270nH±5%
Inductance Test Frequency	100MHz
Rated current (Itemp) (Based on Temperature rise)	110mA
Max. of DC resistance	4.94Ω
Q(min.)	8
Q Test Frequency	100MHz
Self resonance frequency (min.)	400MHz
Operating Temperature Range(Self-temperature rise is not included)	-55°C to 125°C
Brand	Murata
Series	LQG15HS_02

### Attention

1.This datasheet is downloaded from the website of Murata Manufacturing Co., Ltd. Therefore, it's specifications are subject to change or our products in it may be discontinued without advance notice. Please check with our sales representatives or product engineers before ordering.

2.This datasheet has only typical specifications because there is no space for detailed specifications.

Therefore, please review our product specifications or consult the approval sheet for product specifications before ordering.

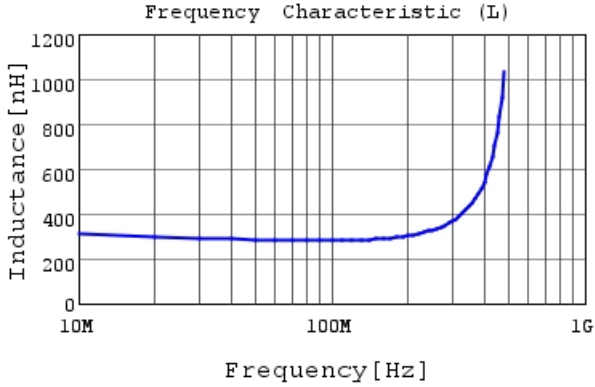
# LQG15HSR27J02#

"#" indicates a package specification code.

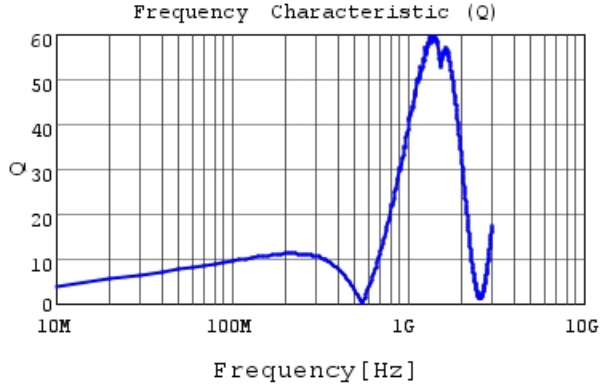


## Characteristic Data

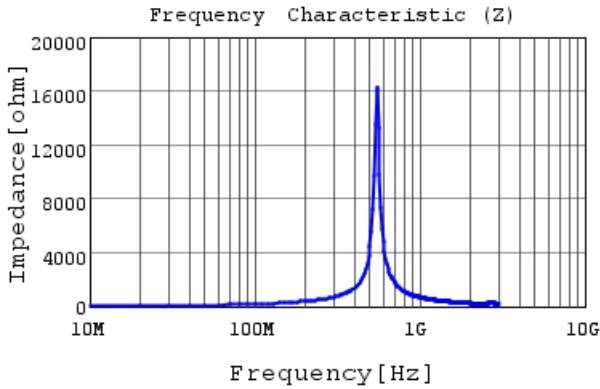
The charts below may show another part number which shares its characteristics.



LQG15HSR27J02 L



LQG15HSR27J02 Q



LQG15HSR27J02 |Z|

**Attention**

- 1.This datasheet is downloaded from the website of Murata Manufacturing Co., Ltd. Therefore, it's specifications are subject to change or our products in it may be discontinued without advance notice. Please check with our sales representatives or product engineers before ordering.
- 2.This datasheet has only typical specifications because there is no space for detailed specifications. Therefore, please review our product specifications or consult the approval sheet for product specifications before ordering.