

Printed Circuit Board Headers

**Technical Features**

**No. of Positions:**

16 Positions Assembly (2 × 8)

**Housing Material:**

PBT GF15

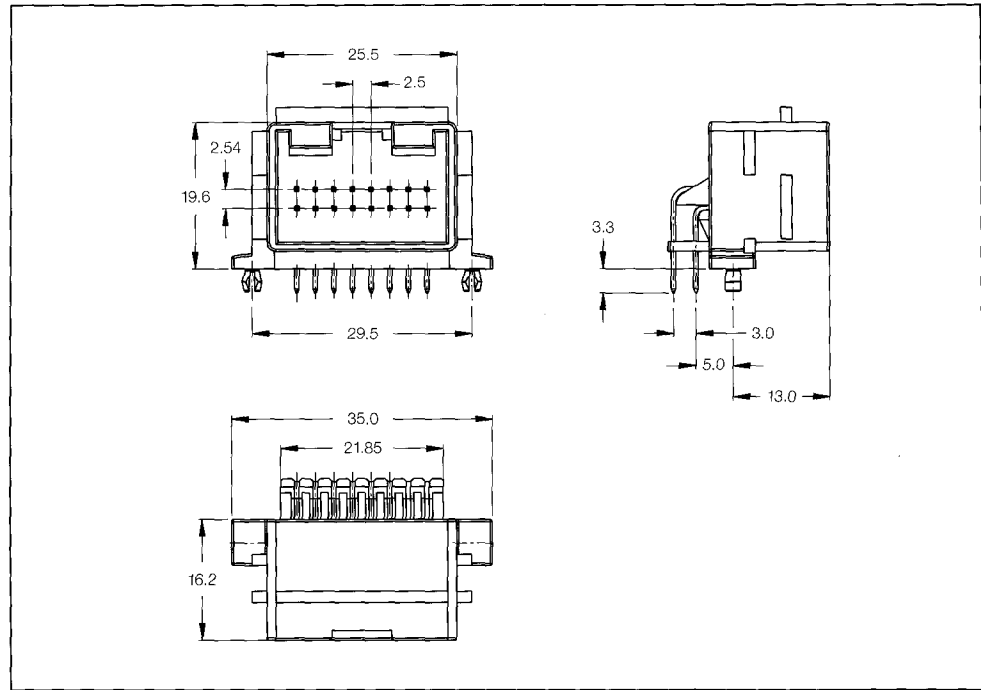
**Material and Finish:**

CuSn, tin plated

**Product Specification:**

108-18692-0

**Application Specification:**



**16 Position PCB Header**

No. of Pos.	Keying Options	Housing Color	Part Numbers					
			PCB Header Right-Angle	PCB Header Vertical	Cover	Cover and Lever	Retainer Housing	Mating Receptacle Housing
16	-	Black	966870-1	-	-	-	-	1534101-1 & 1-1534097-1