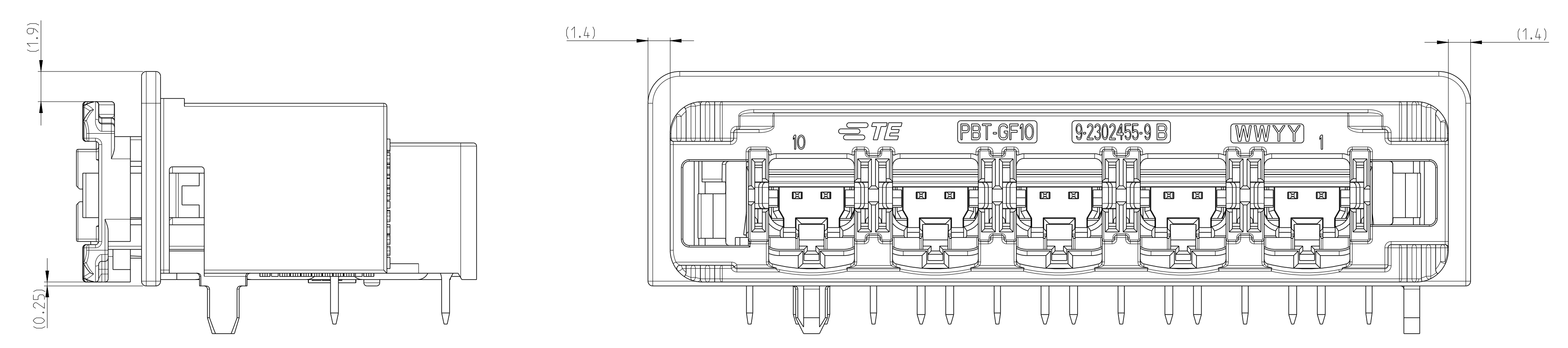
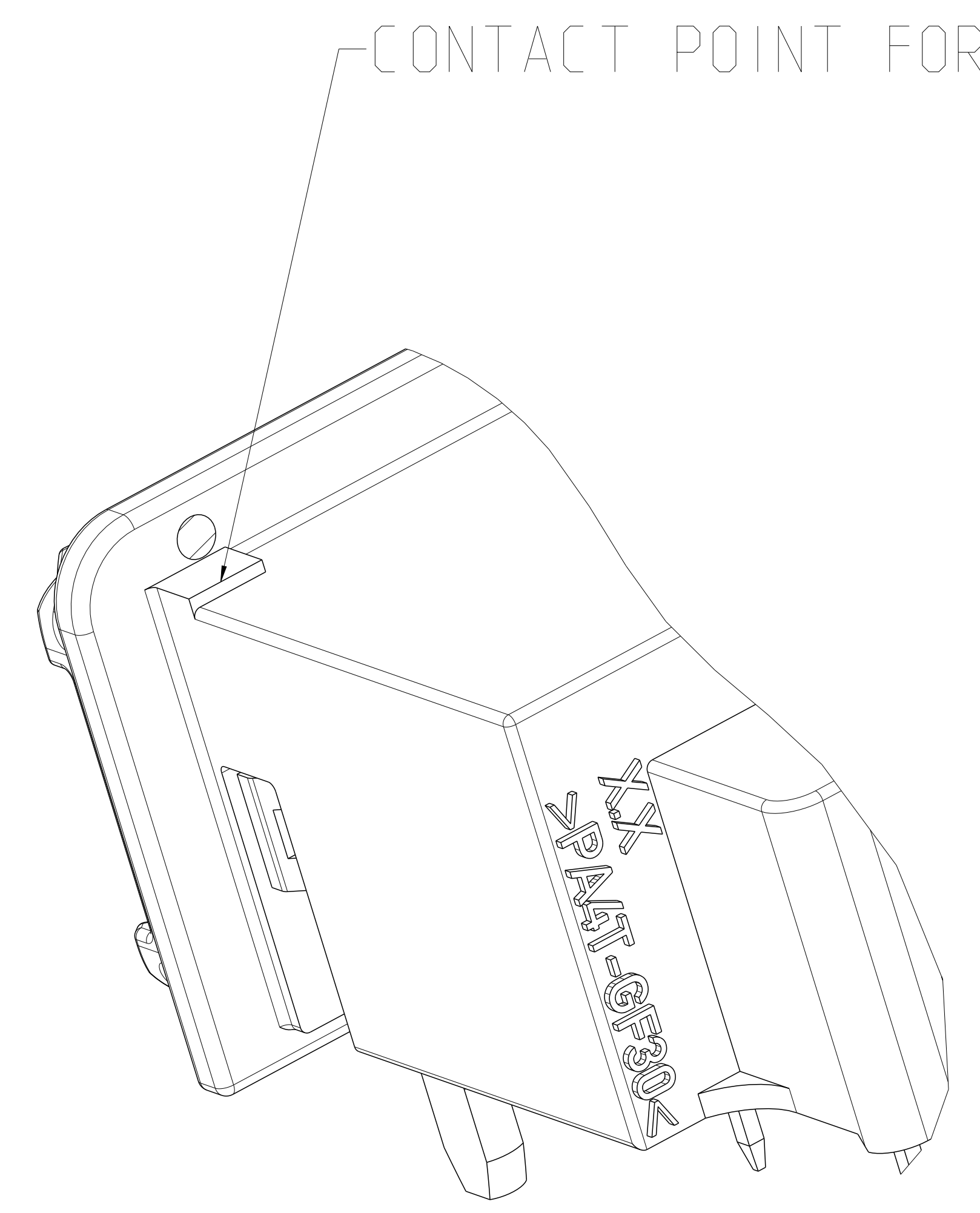


REVISIONS			
REV	DATE	DESCRIPTION	BY
1		ISSUE FOR REF 1	

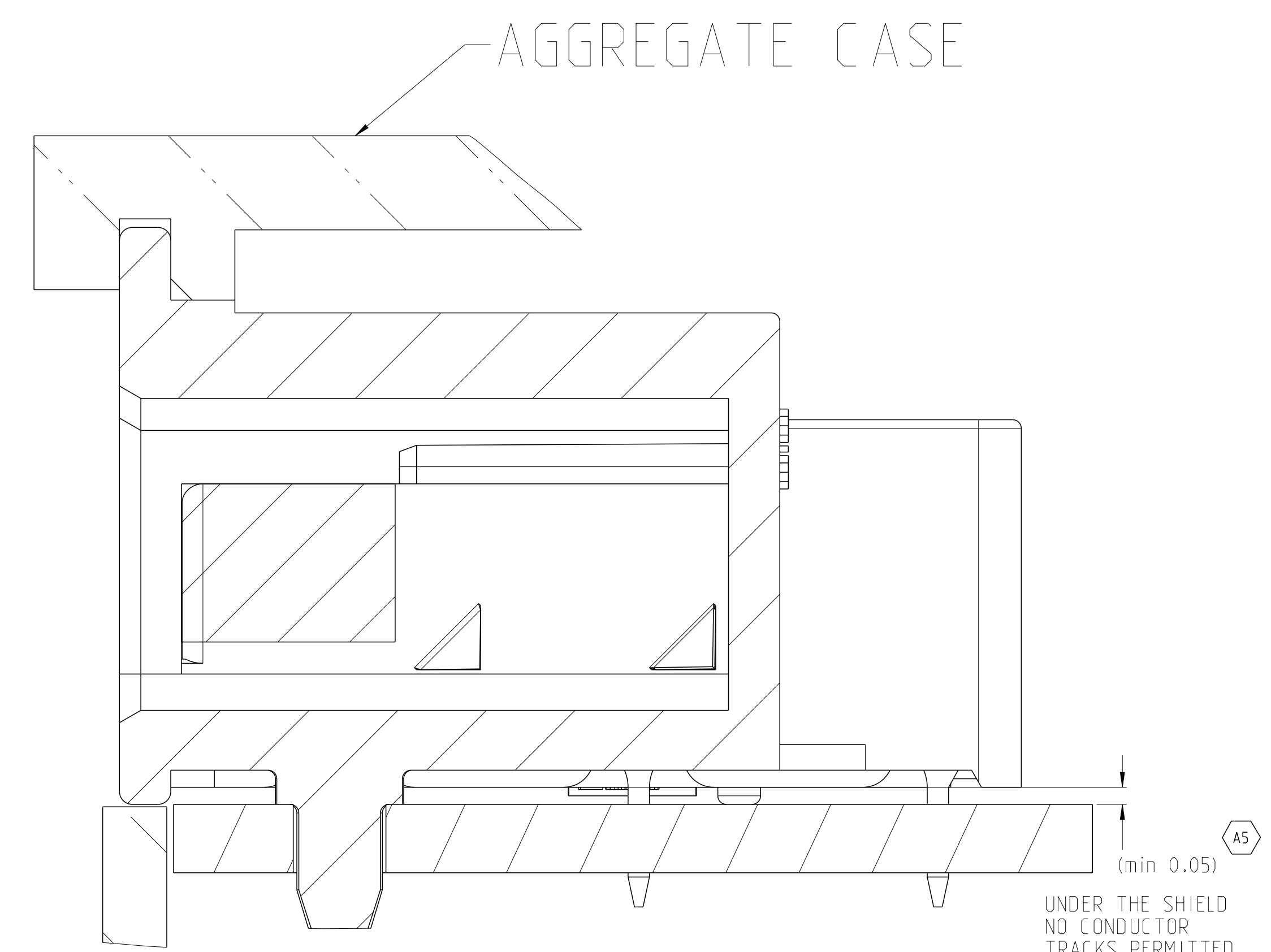
MATED WITH CONNECTOR



POSSIBLE FIXTURE OF HEADER



PROPOSAL CASE



THIS DRAWING IS A CONTROLLED DOCUMENT.		DATE: 08 MAR 2016	BY: A. BURKHARDT	CHK: A. BURKHARDT	DATE: 08 JUN 2016	NAME: 5 PORT HEADER ASSY	STE	TE Connectivity
DIMENSIONS: mm		SCALE: 1:1	APPROVED: B. Eberling	PRODUCT SPEC: -	APPLICATION SPEC: -	SIZE: A0	CAGE CODE: 00779	DRAWING NO: 2305390
MATERIAL: -		FINISH: finish_spec_2	CUSTOMER DRAWING		WEIGHT: -	RESTRICTED TO: -	SCALE: 5:1 SHEET 2 OF 2 REV: A5	

Mouser Electronics

Authorized Distributor

Click to View Pricing, Inventory, Delivery & Lifecycle Information:

[TE Connectivity:](#)

[2305390-1](#)