

HC-STA-B24-BFDC-ELC-AL - Housing



1411332

<https://www.phoenixcontact.com/us/products/1411332>

Please be informed that the data shown in this PDF document is generated from our online catalog. Please find the complete data in the user documentation. Our general terms of use for downloads are valid.



Panel mounting base B24, for double locking latch, material: Die-cast aluminum, salt water resistant, protective cover material: PC, height: 30.5 mm, cable gland: none, protective cover: yes, Standard, with flat gasket

Your advantages

- Good shielding in the event of electromagnetic interference

Commercial data

Item number	1411332
Packing unit	1 pc
Minimum order quantity	1 pc
Sales key	BF56
Product key	AF7APB
Catalog page	Page 641 (C-2-2019)
GTIN	4046356927529
Weight per piece (including packing)	147.5 g
Weight per piece (excluding packing)	147.4 g
Customs tariff number	85389099
Country of origin	CN

HC-STA-B24-BFDC-ELC-AL - Housing



1411332

<https://www.phoenixcontact.com/us/products/1411332>

Technical data

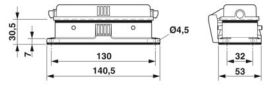
Notes

General	For contact inserts HC-B24, BB46, D64, DD108, M
General	also available as a powder-coated or color version: 1373274 HC-STA-B24-BFDC-EL/.../...

Product properties

Product type	Housing with locking latch
Housing type	Panel mounting base
Application	Standard
Type	B24
Protective cover	yes
Pg screw connection	none

Dimensions

Dimensional drawing	
Width	53 mm
Height	30.5 mm
Length	140.5 mm
Drill hole distance, horizontal	130 mm
Drill hole distance, vertical	32 mm
Hole diameter	4.5 mm

Installation dimensions

Width of the assembly cutout	35 mm
Length of the assembly cutout	113 mm

Material specifications

Flammability rating according to UL 94	V0 (Protective cover)
Seal material	NBR, conductive NBR, conductive
Housing material	Die-cast aluminum, salt water resistant
Housing surface material	uncoated
Material, protective cover	PC
Locking latch material	PA

Mechanical properties

Mechanical data

Locking type	Pin
--------------	-----

1411332

<https://www.phoenixcontact.com/us/products/1411332>

Connection data

Tightening torque	0.8 Nm ... 1.2 Nm (For M4 mounting screws on the panel-mount base)
-------------------	--

Environmental and real-life conditions

Ambient conditions

Degree of protection	IP66 (when plugged in)
	IP67 (when plugged in)
	IP54 (with closed protective cover)
Impact strength	IK09
Ambient temperature (operation)	-40 °C ... 125 °C

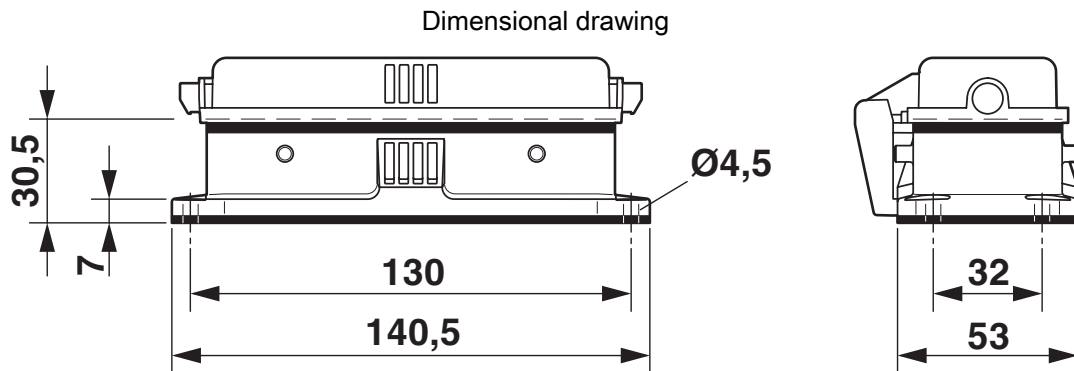
HC-STA-B24-BFDC-ELC-AL - Housing



1411332

<https://www.phoenixcontact.com/us/products/1411332>

Drawings



Dimensional drawing



Mounting cutout

HC-STA-B24-BFDC-ELC-AL - Housing



1411332

<https://www.phoenixcontact.com/us/products/1411332>

Approvals

🔗 To download certificates, visit the product detail page: <https://www.phoenixcontact.com/us/products/1411332>

DNV

Approval ID: TAE000037S



EAC

Approval ID: RU C-DE.AI30.B.01102

HC-STA-B24-BFDC-ELC-AL - Housing



1411332

<https://www.phoenixcontact.com/us/products/1411332>

Classifications

ECLASS

ECLASS-13.0

27440202

ETIM

ETIM 9.0

EC000437

UNSPSC

UNSPSC 21.0

31261500

HC-STA-B24-BFDC-ELC-AL - Housing



1411332

<https://www.phoenixcontact.com/us/products/1411332>

Environmental product compliance

EU RoHS

Fulfills EU RoHS substance requirements	Yes, No exemptions
---	--------------------

China RoHS

Environment friendly use period (EFUP)	EFUP-E
	No hazardous substances above the limits

EU REACH SVHC

REACH candidate substance (CAS No.)	No substance above 0.1 wt%
-------------------------------------	----------------------------

Phoenix Contact 2025 © - all rights reserved
<https://www.phoenixcontact.com>

Phoenix Contact USA
586 Fulling Mill Road
Middletown, PA 17057, United States
(+717) 944-1300
info@phoenixcon.com