

1 LEVER BODY

Glass-fibre reinforced polyamide based (PA) technopolymer, in Elecolors colours, matte finish.

2 PUSH BUTTON

Technopolymer in Ergostyle colours, glossy finish.

3 STANDARD EXECUTIONS

Glass-fibre reinforced technopolymer clamping element with retaining pin, black colour, with knurling on the protruding part to make initial tightening easier. AISI 302 stainless steel return spring.

- **ERX-B:** brass boss, threaded blind hole.
- **ERX-SST:** AISI 303 stainless steel boss, threaded blind hole.
- **ERX-p:** zinc-plated steel threaded stud, chamfered flat end ISO 4753 (see Technical Data on page A-11).
- **ERX-SST-p:** AISI 303 stainless steel threaded stud, chamfered flat end ISO 4753 (see Technical Data on page A-11).

4 FEATURES AND APPLICATIONS

Particularly suitable when the lever turning angle is limited owing to lack of space.

Compared to other types of adjustable handles with metal retaining screw this solution offers:

- absolute electric insulation for the operator
- no visible steel parts subject to rust
- more comfortable lever release.

5 STRESS RESISTANCE

Adjustable handles are generally used for repetitive clamping operations sometimes with very high-frequency.

Therefore, the stress resistance (i.e. the resistance to repeated tightening cycles) of the handle unit is particularly important and, especially, the strength of the toothed element which transmits the tightening force from the handle to the threaded element (boss or stud).

In fact, the results of several laboratory tests, performed with a special instrument that simulates the most severe use conditions, have shown that e.g. ERX.78 adjustable handle can withstand without yielding more than 100,000 tightening cycles, under the action of a force of 490 N (see graphic).

The special glass-fibre reinforced technopolymer enables the ELESA adjustable handles to guarantee stress resistance values which are much higher than the ones generated under normal working conditions.

6 OTHER EXECUTIONS AVAILABLE

Threaded metric blind holes.

Lever body in orange (C2) with black push button (C1).

Example: code 90233101-C2-C1 description ERX.44-C2 B-10-24-C1.

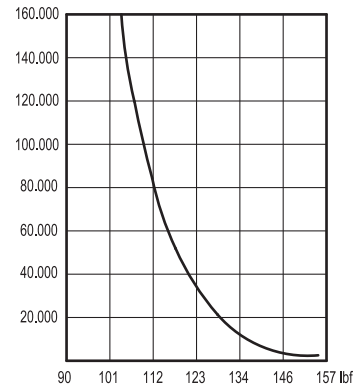
7 INSTRUCTIONS OF USE

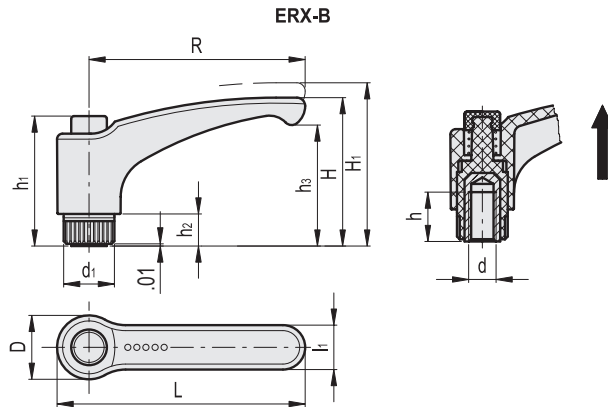
For clamping, lift the lever to disengage the clamping device teeth and bring it back to start position. By releasing the lever, the return spring automatically engages the teeth.



ERGOSTYLE ELESA Original design

NUMBER OF TIGHTENINGS





*Complete with colour index, example: 90233071-C2 ERX.30 B-10-24-C2

- C1**
RAL7021
- C2**
RAL2004
- C3**
RAL7035
- C4**
RAL1021
- C5**
RAL5024
- C6**
RAL3000
- C17**
RAL6017

ERX-B

Code	Description	R	d2B	L	D	H	H1	h	h1	h2	h3	d1	l1	Teeth no.	
90233071-*	ERX.30 B-10-24-*	1.18	10-24	1.48	0.61	1.18	1.32	0.39	1.16	0.24	0.91	0.47	0.35	18	0.02
90233073-*	ERX.30 B-10-32-*	1.18	10-32	1.48	0.61	1.18	1.32	0.39	1.16	0.24	0.91	0.47	0.35	18	0.02
90233076-*	ERX.30 B-1/4-20-*	1.18	1/4-20	1.48	0.61	1.18	1.32	0.39	1.16	0.24	0.91	0.47	0.35	18	0.02
90233101-*	ERX.44 B-10-24-*	1.73	10-24	2.05	0.61	1.28	1.42	0.39	1.16	0.24	0.98	0.47	0.43	18	0.02
90233103-*	ERX.44 B-10-32-*	1.73	10-32	2.05	0.61	1.28	1.42	0.39	1.16	0.24	0.98	0.47	0.43	18	0.02
90233106-*	ERX.44 B-1/4-20-*	1.73	1/4-20	2.05	0.61	1.28	1.42	0.39	1.16	0.24	0.98	0.47	0.43	18	0.02
90233131-*	ERX.63 B-1/4-20-*	2.48	1/4-20	2.89	0.75	1.69	1.85	0.47	1.48	0.31	1.36	0.59	0.53	20	0.05
90233136-*	ERX.63 B-5/16-18-*	2.48	5/16-18	2.89	0.75	1.69	1.85	0.51	1.48	0.31	1.36	0.59	0.53	20	0.05
90233151-*	ERX.78 B-5/16-18-*	3.11	5/16-18	3.56	0.96	2.13	2.28	0.71	1.85	0.47	1.73	0.75	0.63	24	0.1
90233156-*	ERX.78 B-3/8-16-*	3.11	3/8-16	3.56	0.96	2.13	2.28	0.67	1.85	0.47	1.73	0.75	0.63	24	0.1
90233161-*	ERX.78 B-1/2-13-*	3.11	1/2-13	3.56	0.96	2.13	2.28	0.67	1.85	0.47	1.73	0.75	0.63	24	0.1
90233176-*	ERX.95 B-3/8-16-*	3.74	3/8-16	4.29	1.04	2.54	2.72	0.79	2.15	0.51	2.09	0.85	0.71	26	0.11
90233181-*	ERX.95 B-1/2-13-*	3.74	1/2-13	4.29	1.04	2.54	2.72	0.79	2.15	0.51	2.09	0.85	0.71	26	0.11
90233211-*	ERX.108 B-3/8-16-*	4.25	3/8-16	4.84	1.18	2.58	2.76	0.79	2.15	0.43	2.07	0.98	0.79	28	0.13
90233216-*	ERX.108 B-1/2-13-*	4.25	1/2-13	4.84	1.18	2.58	2.76	0.87	2.15	0.43	2.07	0.98	0.79	28	0.13



*Complete with colour index, example: 90233071-C2-C1 ERX.30-C2-B-10-24-C1

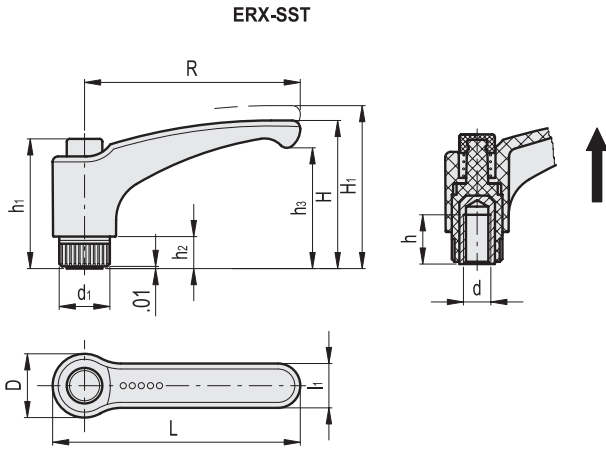
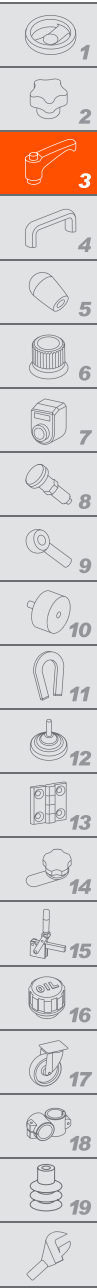
- C2**
RAL2004
- C3**
RAL7035
- C4**
RAL1021
- C5**
RAL5024
- C6**
RAL3000
- C17**
RAL6017

ERX-B

Code	Description	R	d2B	L	D	H	H1	h	h1	h2	h3	d1	l1	Teeth no.	
90233071-*-C1	ERX.30-*-B-10-24-C1	1.18	10-24	1.48	0.61	1.18	1.32	0.39	1.16	0.24	0.91	0.47	0.35	18	0.02
90233073-*-C1	ERX.30-*-B-10-32-C1	1.18	10-32	1.48	0.61	1.18	1.32	0.39	1.16	0.24	0.91	0.47	0.35	18	0.02
90233076-*-C1	ERX.30-*-B-1/4-20-C1	1.18	1/4-20	1.48	0.61	1.18	1.32	0.39	1.16	0.24	0.91	0.47	0.35	18	0.02
90233101-*-C1	ERX.44-*-B-10-24-C1	1.73	10-24	2.05	0.61	1.28	1.42	0.39	1.16	0.24	0.98	0.47	0.43	18	0.02
90233103-*-C1	ERX.44-*-B-10-32-C1	1.73	10-32	2.05	0.61	1.28	1.42	0.39	1.16	0.24	0.98	0.47	0.43	18	0.02
90233106-*-C1	ERX.44-*-B-1/4-20-C1	1.73	1/4-20	2.05	0.61	1.28	1.42	0.39	1.16	0.24	0.98	0.47	0.43	18	0.02
90233131-*-C1	ERX.63-*-B-1/4-20-C1	2.48	1/4-20	2.89	0.75	1.69	1.85	0.47	1.48	0.31	1.36	0.59	0.53	20	0.05
90233136-*-C1	ERX.63-*-B-5/16-18-C1	2.48	5/16-18	2.89	0.75	1.69	1.85	0.51	1.48	0.31	1.36	0.59	0.53	20	0.05
90233151-*-C1	ERX.63-*-B-5/16-18-C1	3.11	5/16-18	3.56	0.96	2.13	2.28	0.71	1.85	0.47	1.73	0.75	0.63	24	0.1
90233156-*-C1	ERX.78-*-B-3/8-16-C1	3.11	3/8-16	3.56	0.96	2.13	2.28	0.67	1.85	0.47	1.73	0.75	0.63	24	0.1
90233161-*-C1	ERX.78-*-B-1/2-13-C1	3.11	1/2-13	3.56	0.96	2.13	2.28	0.67	1.85	0.47	1.73	0.75	0.63	24	0.1
90233176-*-C1	ERX.95-*-B-3/8-16-C1	3.74	3/8-16	4.29	1.04	2.54	2.72	0.79	2.15	0.51	2.09	0.85	0.71	26	0.11
90233181-*-C1	ERX.95-*-B-1/2-13-C1	3.74	1/2-13	4.29	1.04	2.54	2.72	0.79	2.15	0.51	2.09	0.85	0.71	26	0.11
90233211-*-C1	ERX.108-*-B-3/8-16-C1	4.25	3/8-16	4.84	1.18	2.58	2.76	0.79	2.15	0.43	2.07	0.98	0.79	28	0.13
90233216-*-C1	ERX.108-*-B-1/2-13-C1	4.25	1/2-13	4.84	1.18	2.58	2.76	0.87	2.15	0.43	2.07	0.98	0.79	28	0.13



Clamping levers



*Complete with colour index, example: 90235071-C2 ERX.30 SST-10-24-C2

	C1		C2		C3		C4		C5		C6		C17
	RAL7021		RAL2004		RAL7035		RAL1021		RAL5024		RAL3000		RAL6017

INOX STAINLESS STEEL **INCH**

ERX-SST

Code	Description	R	d2B	L	D	H	H1	h	h1	h2	h3	d1	l1	Teeth no.	
90235071-*	ERX.30 SST-10-24-*	1.18	10-24	1.48	0.61	1.18	1.32	0.39	1.16	0.24	0.91	0.47	0.35	18	0.02
90235073-*	ERX.30 SST-10-32-*	1.18	10-32	1.48	0.61	1.18	1.32	0.39	1.16	0.24	0.91	0.47	0.35	18	0.02
90235076-*	ERX.30 SST-1/4-20-*	1.18	1/4-20	1.48	0.61	1.18	1.32	0.39	1.16	0.24	0.91	0.47	0.35	18	0.02
90235101-*	ERX.44 SST-10-24-*	1.73	10-24	2.05	0.61	1.28	1.42	0.39	1.16	0.24	0.98	0.47	0.43	18	0.02
90235106-*	ERX.44 SST-1/4-20-*	1.73	1/4-20	2.05	0.61	1.28	1.42	0.39	1.16	0.24	0.98	0.47	0.43	18	0.02
90235136-*	ERX.63 SST-5/16-18-*	2.48	5/16-18	2.89	0.75	1.69	1.85	0.51	1.48	0.31	1.36	0.59	0.53	20	0.05
90235156-*	ERX.78 SST-3/8-16-*	3.11	3/8-16	3.56	0.96	2.13	2.28	0.67	1.85	0.47	1.73	0.75	0.63	24	0.1
90235176-*	ERX.95 SST-1/2-13-*	3.74	1/2-13	4.29	1.04	2.54	2.72	0.79	2.15	0.51	2.09	0.85	0.71	26	0.11
90235181-*	ERX.108 SST-3/8-16-*	4.25	3/8-16	4.84	1.18	2.58	2.76	0.79	2.15	0.43	2.07	0.98	0.79	28	0.13
90235183-*	ERX.108 SST-1/2-13-*	4.25	1/2-13	4.84	1.18	2.58	2.76	0.87	2.15	0.43	2.07	0.98	0.79	28	0.13

*Complete with colour index, example: 90235071-C2-C1 ERX.30-C2 SST-10-24-C1

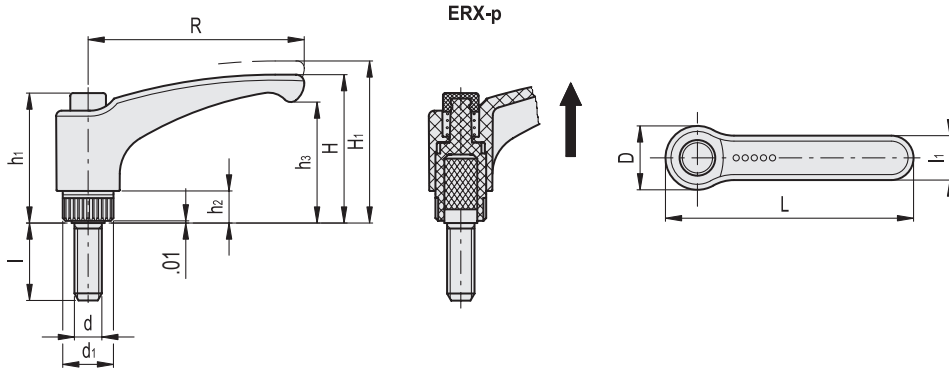
	C2		C3		C4		C5		C6		C17
	RAL2004		RAL7035		RAL1021		RAL5024		RAL3000		RAL6017

INOX STAINLESS STEEL **INCH**

ERX-SST

Code	Description	R	d2B	L	D	H	H1	h	h1	h2	h3	d1	l1	Teeth no.	
90235071-*-C1	ERX.30 SST-10-24-C1	1.18	10-24	1.48	0.61	1.18	1.32	0.39	1.16	0.24	0.91	0.47	0.35	18	0.02
90235073-*-C1	ERX.30-*SST-10-32-C1	1.18	10-32	1.48	0.61	1.18	1.32	0.39	1.16	0.24	0.91	0.47	0.35	18	0.02
90235076-*-C1	ERX.30-*SST-1/4-20-C1	1.18	1/4-20	1.48	0.61	1.18	1.32	0.39	1.16	0.24	0.91	0.47	0.35	18	0.02
90235101-*-C1	ERX.44-*SST-10-24-C1	1.73	10-24	2.05	0.61	1.28	1.42	0.39	1.16	0.24	0.98	0.47	0.43	18	0.02
90235106-*-C1	ERX.44-*SST-1/4-20-C1	1.73	1/4-20	2.05	0.61	1.28	1.42	0.39	1.16	0.24	0.98	0.47	0.43	18	0.02
90235136-*-C1	ERX.63-*SST-5/16-18-C1	2.48	5/16-18	2.89	0.75	1.69	1.85	0.51	1.48	0.31	1.36	0.59	0.53	20	0.05
90235156-*-C1	ERX.78-*SST-3/8-16-C1	3.11	3/8-16	3.56	0.96	2.13	2.28	0.67	1.85	0.47	1.73	0.75	0.63	24	0.1
90235176-*-C1	ERX.95-*SST-1/2-13-C1	3.74	1/2-13	4.29	1.04	2.54	2.72	0.79	2.15	0.51	2.09	0.85	0.71	26	0.11
90235181-*-C1	ERX.108-*SST-3/8-16-C1	4.25	3/8-16	4.84	1.18	2.58	2.76	0.79	2.15	0.43	2.07	0.98	0.79	28	0.13
90235183-*-C1	ERX.108-*SST-1/2-13-C1	4.25	1/2-13	4.84	1.18	2.58	2.76	0.87	2.15	0.43	2.07	0.98	0.79	28	0.13

Clamping levers



* Complete with colour index, example: 90233071-C2 ERX.30 B-10-24-C2

C1 RAL7021
 C2 RAL2004
 C3 RAL7035
 C4 RAL1021
 C5 RAL5024
 C6 RAL3000
 C17 RAL6017

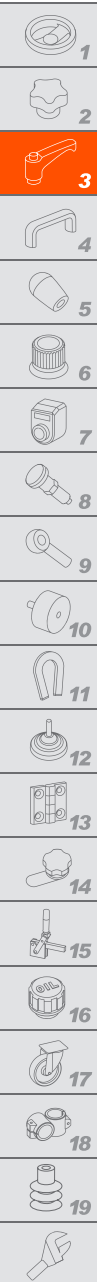
ERX-p

INCH

Code	Description	R	d2A	L	D	H	H1	h1	h2	h3	d1	l	l1	Teeth no.	⚖
90234001-*	ERX.30 p-10-24x1/2-*	1.18	10-24	1.48	0.61	1.18	1.32	1.16	0.24	0.91	0.47	0.500	0.35	18	0.01
90234006-*	ERX.30 p-10-24x5/8-*	1.18	10-24	1.48	0.61	1.18	1.32	1.16	0.24	0.91	0.47	0.625	0.35	18	0.01
90234011-*	ERX.30 p-10-24x3/4-*	1.18	10-24	1.48	0.61	1.18	1.32	1.16	0.24	0.91	0.47	0.750	0.35	18	0.01
90234013-*	ERX.30 p-10-24x1-*	1.18	10-24	1.48	0.61	1.18	1.32	1.16	0.24	0.91	0.47	1.000	0.35	18	0.01
90234014-*	ERX.30 p-10-24x1¼-*	1.18	10-24	1.48	0.61	1.18	1.32	1.16	0.24	0.91	0.47	1.250	0.35	18	0.02
90234015-*	ERX.30 p-10-32x3/8-*	1.18	10-32	1.48	0.61	1.18	1.32	1.16	0.24	0.91	0.47	0.375	0.35	18	0.01
90234016-*	ERX.30 p-10-32x1/2-*	1.18	10-32	1.48	0.61	1.18	1.32	1.16	0.24	0.91	0.47	0.500	0.35	18	0.01
90234018-*	ERX.30 p-10-32x5/8-*	1.18	10-32	1.48	0.61	1.18	1.32	1.16	0.24	0.91	0.47	0.625	0.35	18	0.01
90234021-*	ERX.30 p-10-32x3/4-*	1.18	10-32	1.48	0.61	1.18	1.32	1.16	0.24	0.91	0.47	0.750	0.35	18	0.01
90234019-*	ERX.30 p-10-32x1-*	1.18	10-32	1.48	0.61	1.18	1.32	1.16	0.24	0.91	0.47	1	0.35	18	0.02
90234020-*	ERX.30 p-10-32x1¼-*	1.18	10-32	1.48	0.61	1.18	1.32	1.16	0.24	0.91	0.47	1.250	0.35	18	0.02
90234022-*	ERX.30 p-1/4-20x3/8-*	1.18	1/4-20	1.48	0.61	1.18	1.32	1.16	0.24	0.91	0.47	0.375	0.35	18	0.02
90234023-*	ERX.30 p-1/4-20x1/2-*	1.18	1/4-20	1.48	0.61	1.18	1.32	1.16	0.24	0.91	0.47	0.500	0.35	18	0.01
90234025-*	ERX.30 p-1/4-20x5/8-*	1.18	1/4-20	1.48	0.61	1.18	1.32	1.16	0.24	0.91	0.47	0.625	0.35	18	0.01
90234026-*	ERX.30 p-1/4-20x3/4-*	1.18	1/4-20	1.48	0.61	1.18	1.32	1.16	0.24	0.91	0.47	0.750	0.35	18	0.01
90234031-*	ERX.30 p-1/4-20x1-*	1.18	1/4-20	1.48	0.61	1.18	1.32	1.16	0.24	0.91	0.47	1.000	0.35	18	0.01
90234033-*	ERX.30 p-1/4-20x1¼-*	1.18	1/4-20	1.48	0.61	1.18	1.32	1.16	0.24	0.91	0.47	1.250	0.35	18	0.03
90234036-*	ERX.30 p-1/4-20x1½-*	1.18	1/4-20	1.48	0.61	1.18	1.32	1.16	0.24	0.91	0.47	1.500	0.35	18	0.01
90234103-*	ERX.44 p-10-24x1/2-*	1.73	10-24	2.05	0.61	1.28	1.42	1.16	0.24	0.98	0.47	0.500	0.43	18	0.03
90234106-*	ERX.44 p-10-24x5/8-*	1.73	10-24	2.05	0.61	1.28	1.42	1.16	0.24	0.98	0.47	0.625	0.43	18	0.03
90234111-*	ERX.44 p-10-24x3/4-*	1.73	10-24	2.05	0.61	1.28	1.42	1.16	0.24	0.98	0.47	0.750	0.43	18	0.03
90234113-*	ERX.44 p-10-24x1-*	1.73	10-24	2.05	0.61	1.28	1.42	1.16	0.24	0.98	0.47	1.000	0.43	18	0.04
90234114-*	ERX.44 p-10-24x1¼-*	1.73	10-24	2.05	0.61	1.28	1.42	1.16	0.24	0.98	0.47	1.250	0.43	18	0.04
90234115-*	ERX.44 p-10-32x3/8-*	1.73	10-32	2.05	0.61	1.28	1.42	1.16	0.24	0.98	0.47	0.375	0.43	18	0.03
90234116-*	ERX.44 p-10-32x1/2-*	1.73	10-32	2.05	0.61	1.28	1.42	1.16	0.24	0.98	0.47	0.500	0.43	18	0.03
90234118-*	ERX.44 p-10-32x5/8-*	1.73	10-32	2.05	0.61	1.28	1.42	1.16	0.24	0.98	0.47	0.625	0.43	18	0.04
90234121-*	ERX.44 p-10-32x3/4-*	1.73	10-32	2.05	0.61	1.28	1.42	1.16	0.24	0.98	0.47	0.750	0.43	18	0.04
90234119-*	ERX.44 p-10-32x1-*	1.73	10-32	2.05	0.61	1.28	1.42	1.16	0.24	0.98	0.47	1.000	0.43	18	0.04
90234120-*	ERX.44 p-10-32x1¼-*	1.73	10-32	2.05	0.61	1.28	1.42	1.16	0.24	0.98	0.47	1.250	0.43	18	0.04
90234122-*	ERX.44 p-1/4-20x3/8-*	1.73	1/4-20	2.05	0.61	1.28	1.42	1.16	0.24	0.98	0.47	0.375	0.43	18	0.04
90234123-*	ERX.44 p-1/4-20x1/2-*	1.73	1/4-20	2.05	0.61	1.28	1.42	1.16	0.24	0.98	0.47	0.500	0.43	18	0.04
90234125-*	ERX.44 p-1/4-20x5/8-*	1.73	1/4-20	2.05	0.61	1.28	1.42	1.16	0.24	0.98	0.47	0.625	0.43	18	0.04
90234126-*	ERX.44 p-1/4-20x3/4-*	1.73	1/4-20	2.05	0.61	1.28	1.42	1.16	0.24	0.98	0.47	0.750	0.43	18	0.04
90234131-*	ERX.44 p-1/4-20x1-*	1.73	1/4-20	2.05	0.61	1.28	1.42	1.16	0.24	0.98	0.47	1.000	0.43	18	0.04
90234133-*	ERX.44 p-1/4-20x1¼-*	1.73	1/4-20	2.05	0.61	1.28	1.42	1.16	0.24	0.98	0.47	1.250	0.43	18	0.05
90234136-*	ERX.44 p-1/4-20x1½-*	1.73	1/4-20	2.05	0.61	1.28	1.42	1.16	0.24	0.98	0.47	1.500	0.43	18	0.05
90234311-*	ERX.63 p-1/4-20x1/2-*	2.48	1/4-20	2.89	0.75	1.69	1.85	1.48	0.31	1.36	0.59	0.500	0.53	20	0.06
90234313-*	ERX.63 p-1/4-20x5/8-*	2.48	1/4-20	2.89	0.75	1.69	1.85	1.48	0.31	1.36	0.59	0.625	0.53	20	0.06
90234316-*	ERX.63 p-1/4-20x3/4-*	2.48	1/4-20	2.89	0.75	1.69	1.85	1.48	0.31	1.36	0.59	0.750	0.53	20	0.07
90234321-*	ERX.63 p-1/4-20x1-*	2.48	1/4-20	2.89	0.75	1.69	1.85	1.48	0.31	1.36	0.59	1.000	0.53	20	0.07
90234323-*	ERX.63 p-1/4-20x1¼-*	2.48	1/4-20	2.89	0.75	1.69	1.85	1.48	0.31	1.36	0.59	1.250	0.53	20	0.07
90234326-*	ERX.63 p-1/4-20x1½-*	2.48	1/4-20	2.89	0.75	1.69	1.85	1.48	0.31	1.36	0.59	1.500	0.53	20	0.08



Clamping levers



Clamping levers



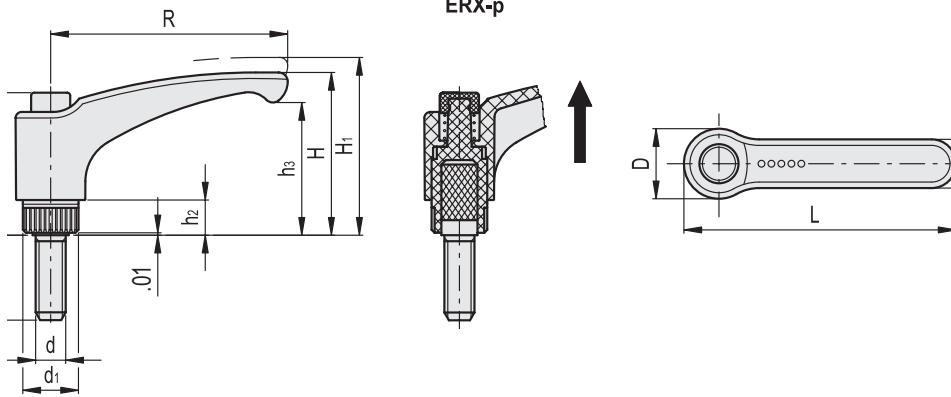
*Complete with colour index, example: 90233071-C2 ERX.30 B-10-24-C2

C1 RAL7021
 C2 RAL2004
 C3 RAL7035
 C4 RAL1021
 C5 RAL5024
 C6 RAL3000
 C17 RAL6017

INCH

ERX-p

Code	Description	R	d2A	L	D	H	H1	h1	h2	h3	d1	l	l1	Teeth no.	
90234331.*	ERX.63 p-5/16-18x1/2-*	2.48	5/16-18	2.89	0.75	1.69	1.85	1.48	0.31	1.36	0.59	0.500	0.53	20	0.07
90234333.*	ERX.63 p-5/16-18x5/8-*	2.48	5/16-18	2.89	0.75	1.69	1.85	1.48	0.31	1.36	0.59	0.625	0.53	20	0.07
90234336.*	ERX.63 p-5/16-18x3/4-*	2.48	5/16-18	2.89	0.75	1.69	1.85	1.48	0.31	1.36	0.59	0.750	0.53	20	0.08
90234341.*	ERX.63 p-5/16-18x1-*	2.48	5/16-18	2.89	0.75	1.69	1.85	1.48	0.31	1.36	0.59	1.000	0.53	20	0.08
90234346.*	ERX.63 p-5/16-18x1 1/4-*	2.48	5/16-18	2.89	0.75	1.69	1.85	1.48	0.31	1.36	0.59	1.250	0.53	20	0.09
90234351.*	ERX.63 p-5/16-18x1 1/2-*	2.48	5/16-18	2.89	0.75	1.69	1.85	1.48	0.31	1.36	0.59	1.500	0.53	20	0.09
90234353.*	ERX.63 p-5/16-18x1 3/4-*	2.48	5/16-18	2.89	0.75	1.69	1.85	1.48	0.31	1.36	0.59	1.750	0.53	20	0.09
90234356.*	ERX.63 p-5/16-18x2-*	2.48	5/16-18	2.89	0.75	1.69	1.85	1.48	0.31	1.36	0.59	2.000	0.53	20	0.09
90234358.*	ERX.63 p-5/16-18x2 1/2-*	2.48	5/16-18	2.89	0.75	1.69	1.85	1.48	0.31	1.36	0.59	2.500	0.53	20	0.1
90234361.*	ERX.63 p-3/8-16x5/8-*	2.48	3/8-16	2.89	0.75	1.69	1.85	1.48	0.31	1.36	0.59	0.625	0.53	20	0.1
90234363.*	ERX.63 p-3/8-16x3/4-*	2.48	3/8-16	2.89	0.75	1.69	1.85	1.48	0.31	1.36	0.59	0.750	0.53	20	0.1
90234364.*	ERX.63 p-3/8-16x1-*	2.48	3/8-16	2.89	0.75	1.69	1.85	1.48	0.31	1.36	0.59	1.000	0.53	20	0.11
90234366.*	ERX.63 p-3/8-16x1 1/4-*	2.48	3/8-16	2.89	0.75	1.69	1.85	1.48	0.31	1.36	0.59	1.250	0.53	20	0.11
90234367.*	ERX.63 p-3/8-16x1 1/2-*	2.48	3/8-16	2.89	0.75	1.69	1.85	1.48	0.31	1.36	0.59	1.500	0.53	20	0.11
90234369.*	ERX.63 p-3/8-16x1 3/4-*	2.48	3/8-16	2.89	0.75	1.69	1.85	1.48	0.31	1.36	0.59	1.750	0.53	20	0.12
90234371.*	ERX.63 p-3/8-16x2-*	2.48	3/8-16	2.89	0.75	1.69	1.85	1.48	0.31	1.36	0.59	2.000	0.53	20	0.12
90234373.*	ERX.63 p-3/8-16x2 1/2-*	2.48	3/8-16	2.89	0.75	1.69	1.85	1.48	0.31	1.36	0.59	2.500	0.53	20	0.12
90234513.*	ERX.78 p-3/8-16x5/8-*	3.11	3/8-16	3.56	0.96	2.13	2.28	1.85	0.47	1.73	0.75	0.625	0.63	24	0.14
90234516.*	ERX.78 p-3/8-16x3/4-*	3.11	3/8-16	3.56	0.96	2.13	2.28	1.85	0.47	1.73	0.75	0.750	0.63	24	0.15
90234521.*	ERX.78 p-3/8-16x1-*	3.11	3/8-16	3.56	0.96	2.13	2.28	1.85	0.47	1.73	0.75	1.000	0.63	24	0.15
90234526.*	ERX.78 p-3/8-16x1 1/4-*	3.11	3/8-16	3.56	0.96	2.13	2.28	1.85	0.47	1.73	0.75	1.250	0.63	24	0.16
90234531.*	ERX.78 p-3/8-16x1 1/2-*	3.11	3/8-16	3.56	0.96	2.13	2.28	1.85	0.47	1.73	0.75	1.500	0.63	24	0.16
90234533.*	ERX.78 p-3/8-16x1 3/4-*	3.11	3/8-16	3.56	0.96	2.13	2.28	1.85	0.47	1.73	0.75	1.750	0.63	24	0.17
90234536.*	ERX.78 p-3/8-16x2-*	3.11	3/8-16	3.56	0.96	2.13	2.28	1.85	0.47	1.73	0.75	2.000	0.63	24	0.17
90234541.*	ERX.78 p-3/8-16x2 1/2-*	3.11	3/8-16	3.56	0.96	2.13	2.28	1.85	0.47	1.73	0.75	2.500	0.63	24	0.19
90234565.*	ERX.78 p-1/2-13x5/8-*	3.11	1/2-13	3.56	0.96	2.13	2.28	1.85	0.47	1.73	0.75	0.625	0.63	24	0.16
90234567.*	ERX.78 p-1/2-13x3/4-*	3.11	1/2-13	3.56	0.96	2.13	2.28	1.85	0.47	1.73	0.75	0.750	0.63	24	0.16
90234569.*	ERX.78 p-1/2-13x1-*	3.11	1/2-13	3.56	0.96	2.13	2.28	1.85	0.47	1.73	0.75	1.000	0.63	24	0.16
90234571.*	ERX.78 p-1/2-13x1 1/4-*	3.11	1/2-13	3.56	0.96	2.13	2.28	1.85	0.47	1.73	0.75	1.250	0.63	24	0.17
90234576.*	ERX.78 p-1/2-13x1 1/2-*	3.11	1/2-13	3.56	0.96	2.13	2.28	1.85	0.47	1.73	0.75	1.500	0.63	24	0.17
90234579.*	ERX.78 p-1/2-13x1 3/4-*	3.11	1/2-13	3.56	0.96	2.13	2.28	1.85	0.47	1.73	0.75	1.750	0.63	24	0.18
90234581.*	ERX.78 p-1/2-13x2-*	3.11	1/2-13	3.56	0.96	2.13	2.28	1.85	0.47	1.73	0.75	2.000	0.63	24	0.18
90234681.*	ERX.95 p-3/8-16x1-*	3.74	3/8-16	4.29	1.04	2.54	2.72	2.15	0.51	2.09	0.85	1.000	0.71	26	0.18
90234683.*	ERX.95 p-3/8-16x1 1/4-*	3.74	3/8-16	4.29	1.04	2.54	2.72	2.15	0.51	2.09	0.85	1.250	0.71	26	0.18
90234685.*	ERX.95 p-3/8-16x1 1/2-*	3.74	3/8-16	4.29	1.04	2.54	2.72	2.15	0.51	2.09	0.85	1.375	0.71	26	0.18
90234687.*	ERX.95 p-3/8-16x1 3/4-*	3.74	3/8-16	4.29	1.04	2.54	2.72	2.15	0.51	2.09	0.85	1.500	0.71	26	0.19
90234689.*	ERX.95 p-3/8-16x1 3/4-*	3.74	3/8-16	4.29	1.04	2.54	2.72	2.15	0.51	2.09	0.85	1.750	0.71	26	0.19
90234691.*	ERX.95 p-3/8-16x2-*	3.74	3/8-16	4.29	1.04	2.54	2.72	2.15	0.51	2.09	0.85	2.000	0.71	26	0.19
90234693.*	ERX.95 p-3/8-16x2 1/2-*	3.74	3/8-16	4.29	1.04	2.54	2.72	2.15	0.51	2.09	0.85	2.500	0.71	26	0.2
90234706.*	ERX.95 p-1/2-13x1-*	3.74	1/2-13	4.29	1.04	2.54	2.72	2.15	0.51	2.09	0.85	1.000	0.71	26	0.18
90234711.*	ERX.95 p-1/2-13x1 1/4-*	3.74	1/2-13	4.29	1.04	2.54	2.72	2.15	0.51	2.09	0.85	1.250	0.71	26	0.19
90234713.*	ERX.95 p-1/2-13x1 1/2-*	3.74	1/2-13	4.29	1.04	2.54	2.72	2.15	0.51	2.09	0.85	1.375	0.71	26	0.21
90234716.*	ERX.95 p-1/2-13x1 3/4-*	3.74	1/2-13	4.29	1.04	2.54	2.72	2.15	0.51	2.09	0.85	1.500	0.71	26	0.22
90234719.*	ERX.95 p-1/2-13x1 3/4-*	3.74	1/2-13	4.29	1.04	2.54	2.72	2.15	0.51	2.09	0.85	1.750	0.71	26	0.22
90234721.*	ERX.95 p-1/2-13x2-*	3.74	1/2-13	4.29	1.04	2.54	2.72	2.15	0.51	2.09	0.85	2.000	0.71	26	0.23
90234726.*	ERX.95 p-1/2-13x2 1/2-*	3.74	1/2-13	4.29	1.04	2.54	2.72	2.15	0.51	2.09	0.85	2.500	0.71	26	0.23
90234731.*	ERX.108 p-1/2-13x1 1/4-*	4.25	1/2-13	4.84	1.18	2.58	2.76	2.15	0.43	2.07	0.98	1.250	0.79	28	0.24
90234736.*	ERX.108 p-1/2-13x1 1/2-*	4.25	1/2-13	4.84	1.18	2.58	2.76	2.15	0.43	2.07	0.98	1.250	0.79	28	0.25
90234741.*	ERX.108 p-1/2-13x2-*	4.25	1/2-13	4.84	1.18	2.58	2.76	2.15	0.43	2.07	0.98	2.000	0.79	28	0.27



*Complete with colour index, example: 90234001-C2-C1 ERX.30-C2-p-10-24x1/2-C1

C2 RAL2004 **C3** RAL7035 **C4** RAL1021 **C5** RAL5024 **C6** RAL3000 **C17** RAL6017

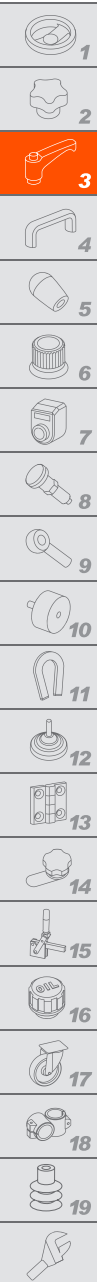
INCH

ERX-p

Code	Description	R	d2A	L	D	H	H1	h1	h2	h3	d1	l	l1	Teeth no.	
90234001*-C1	ERX.30*-p-10-24x1/2-C1	1.18	10-24	1.48	0.61	1.18	1.32	1.16	0.24	0.91	0.47	0.500	0.35	18	0.01
90234006*-C1	ERX.30*-p-10-24x5/8-C1	1.18	10-24	1.48	0.61	1.18	1.32	1.16	0.24	0.91	0.47	0.625	0.35	18	0.01
90234011*-C1	ERX.30*-p-10-24x3/4-C1	1.18	10-24	1.48	0.61	1.18	1.32	1.16	0.24	0.91	0.47	0.750	0.35	18	0.01
90234013*-C1	ERX.30*-p-10-24x1-C1	1.18	10-24	1.48	0.61	1.18	1.32	1.16	0.24	0.91	0.47	1.000	0.35	18	0.01
90234014*-C1	ERX.30*-p-10-24x1¼-C1	1.18	10-24	1.48	0.61	1.18	1.32	1.16	0.24	0.91	0.47	1.250	0.35	18	0.02
90234015*-C1	ERX.30*-p-10-32x3/8-C1	1.18	10-32	1.48	0.61	1.18	1.32	1.16	0.24	0.91	0.47	0.375	0.35	18	0.01
90234016*-C1	ERX.30*-p-10-32x1/2-C1	1.18	10-32	1.48	0.61	1.18	1.32	1.16	0.24	0.91	0.47	0.500	0.35	18	0.01
90234018*-C1	ERX.30*-p-10-32x5/8-C1	1.18	10-32	1.48	0.61	1.18	1.32	1.16	0.24	0.91	0.47	0.625	0.35	18	0.01
90234021*-C1	ERX.30*-p-10-32x3/4-C1	1.18	10-32	1.48	0.61	1.18	1.32	1.16	0.24	0.91	0.47	0.750	0.35	18	0.01
90234019*-C1	ERX.30*-p-10-32x1-C1	1.18	10-32	1.48	0.61	1.18	1.32	1.16	0.24	0.91	0.47	1	0.35	18	0.02
90234020*-C1	ERX.30*-p-10-32x1¼-C1	1.18	10-32	1.48	0.61	1.18	1.32	1.16	0.24	0.91	0.47	1.250	0.35	18	0.02
90234022*-C1	ERX.30*-p-1/4-20x3/8-C1	1.18	1/4-20	1.48	0.61	1.18	1.32	1.16	0.24	0.91	0.47	0.375	0.35	18	0.02
90234023*-C1	ERX.30*-p-1/4-20x1/2-C1	1.18	1/4-20	1.48	0.61	1.18	1.32	1.16	0.24	0.91	0.47	0.500	0.35	18	0.01
90234025*-C1	ERX.30*-p-1/4-20x5/8-C1	1.18	1/4-20	1.48	0.61	1.18	1.32	1.16	0.24	0.91	0.47	0.625	0.35	18	0.01
90234026*-C1	ERX.30*-p-1/4-20x3/4-C1	1.18	1/4-20	1.48	0.61	1.18	1.32	1.16	0.24	0.91	0.47	0.750	0.35	18	0.01
90234031*-C1	ERX.30*-p-1/4-20x1-C1	1.18	1/4-20	1.48	0.61	1.18	1.32	1.16	0.24	0.91	0.47	1.000	0.35	18	0.01
90234033*-C1	ERX.30*-p-1/4-20x1¼-C1	1.18	1/4-20	1.48	0.61	1.18	1.32	1.16	0.24	0.91	0.47	1.250	0.35	18	0.03
90234036*-C1	ERX.30*-p-1/4-20x1½-C1	1.18	1/4-20	1.48	0.61	1.18	1.32	1.16	0.24	0.91	0.47	1.500	0.35	18	0.01
90234103*-C1	ERX.44*-p-10-24x1/2-C1	1.73	10-24	2.05	0.61	1.28	1.42	1.16	0.24	0.98	0.47	0.500	0.43	18	0.03
90234106*-C1	ERX.44*-p-10-24x5/8-C1	1.73	10-24	2.05	0.61	1.28	1.42	1.16	0.24	0.98	0.47	0.625	0.43	18	0.03
90234111*-C1	ERX.44*-p-10-24x3/4-C1	1.73	10-24	2.05	0.61	1.28	1.42	1.16	0.24	0.98	0.47	0.750	0.43	18	0.03
90234113*-C1	ERX.44*-p-10-24x1-C1	1.73	10-24	2.05	0.61	1.28	1.42	1.16	0.24	0.98	0.47	1.000	0.43	18	0.04
90234114*-C1	ERX.44*-p-10-24x1¼-C1	1.73	10-24	2.05	0.61	1.28	1.42	1.16	0.24	0.98	0.47	1.250	0.43	18	0.04
90234115*-C1	ERX.44*-p-10-32x3/8-C1	1.73	10-32	2.05	0.61	1.28	1.42	1.16	0.24	0.98	0.47	0.375	0.43	18	0.03
90234116*-C1	ERX.44*-p-10-32x1/2-C1	1.73	10-32	2.05	0.61	1.28	1.42	1.16	0.24	0.98	0.47	0.500	0.43	18	0.03
90234118*-C1	ERX.44*-p-10-32x5/8-C1	1.73	10-32	2.05	0.61	1.28	1.42	1.16	0.24	0.98	0.47	0.625	0.43	18	0.04
90234121*-C1	ERX.44*-p-10-32x3/4-C1	1.73	10-32	2.05	0.61	1.28	1.42	1.16	0.24	0.98	0.47	0.750	0.43	18	0.04
90234119*-C1	ERX.44*-p-10-32x1-C1	1.73	10-32	2.05	0.61	1.28	1.42	1.16	0.24	0.98	0.47	1.000	0.43	18	0.04
90234120*-C1	ERX.44*-p-10-32x1¼-C1	1.73	10-32	2.05	0.61	1.28	1.42	1.16	0.24	0.98	0.47	1.250	0.43	18	0.04
90234122*-C1	ERX.44*-p-1/4-20x3/8-C1	1.73	1/4-20	2.05	0.61	1.28	1.42	1.16	0.24	0.98	0.47	0.375	0.43	18	0.04
90234123*-C1	ERX.44*-p-1/4-20x1/2-C1	1.73	1/4-20	2.05	0.61	1.28	1.42	1.16	0.24	0.98	0.47	0.500	0.43	18	0.04
90234125*-C1	ERX.44*-p-1/4-20x5/8-C1	1.73	1/4-20	2.05	0.61	1.28	1.42	1.16	0.24	0.98	0.47	0.625	0.43	18	0.04
90234126*-C1	ERX.44*-p-1/4-20x3/4-C1	1.73	1/4-20	2.05	0.61	1.28	1.42	1.16	0.24	0.98	0.47	0.750	0.43	18	0.04
90234131*-C1	ERX.44*-p-1/4-20x1-C1	1.73	1/4-20	2.05	0.61	1.28	1.42	1.16	0.24	0.98	0.47	1.000	0.43	18	0.04
90234133*-C1	ERX.44*-p-1/4-20x1¼-C1	1.73	1/4-20	2.05	0.61	1.28	1.42	1.16	0.24	0.98	0.47	1.250	0.43	18	0.05
90234136*-C1	ERX.44*-p-1/4-20x1½-C1	1.73	1/4-20	2.05	0.61	1.28	1.42	1.16	0.24	0.98	0.47	1.500	0.43	18	0.05



Clamping levers



* Complete with colour index, example: 90234001-C2-C1 ERX.30-C2-p-10-24x1/2-C1

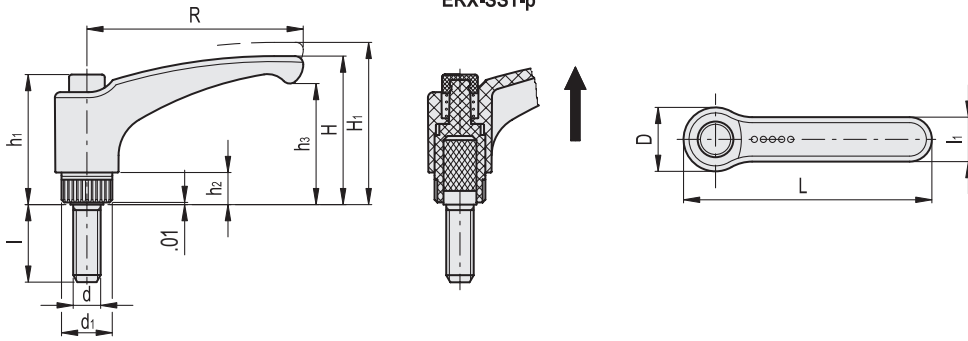
C2 RAL2004 **C3** RAL7035 **C4** RAL1021 **C5** RAL5024 **C6** RAL3000 **C17** RAL6017

INCH

ERX-p

Code	Description	R	d2A	L	D	H	H1	h1	h2	h3	d1	l	l1	Teeth no.	
90234311*-C1	ERX.63*-p-1/4-20x1/2-C1	2.48	1/4-20	2.89	0.75	1.69	1.85	1.48	0.31	1.36	0.59	0.500	0.53	20	0.06
90234313*-C1	ERX.63*-p-1/4-20x5/8-C1	2.48	1/4-20	2.89	0.75	1.69	1.85	1.48	0.31	1.36	0.59	0.625	0.53	20	0.06
90234316*-C1	ERX.63*-p-1/4-20x3/4-C1	2.48	1/4-20	2.89	0.75	1.69	1.85	1.48	0.31	1.36	0.59	0.750	0.53	20	0.07
90234321*-C1	ERX.63*-p-1/4-20x1-C1	2.48	1/4-20	2.89	0.75	1.69	1.85	1.48	0.31	1.36	0.59	1.000	0.53	20	0.07
90234323*-C1	ERX.63*-p-1/4-20x1¼-C1	2.48	1/4-20	2.89	0.75	1.69	1.85	1.48	0.31	1.36	0.59	1.250	0.53	20	0.07
90234326*-C1	ERX.63*-p-1/4-20x1½-C1	2.48	1/4-20	2.89	0.75	1.69	1.85	1.48	0.31	1.36	0.59	1.500	0.53	20	0.08
90234331*-C1	ERX.63*-p-5/16-18x1/2-C1	2.48	5/16-18	2.89	0.75	1.69	1.85	1.48	0.31	1.36	0.59	0.500	0.53	20	0.07
90234333*-C1	ERX.63*-p-5/16-18x5/8-C1	2.48	5/16-18	2.89	0.75	1.69	1.85	1.48	0.31	1.36	0.59	0.625	0.53	20	0.07
90234336*-C1	ERX.63*-p-5/16-18x3/4-C1	2.48	5/16-18	2.89	0.75	1.69	1.85	1.48	0.31	1.36	0.59	0.750	0.53	20	0.08
90234341*-C1	ERX.63*-p-5/16-18x1-C1	2.48	5/16-18	2.89	0.75	1.69	1.85	1.48	0.31	1.36	0.59	1.000	0.53	20	0.08
90234346*-C1	ERX.63*-p-5/16-18x1¼-C1	2.48	5/16-18	2.89	0.75	1.69	1.85	1.48	0.31	1.36	0.59	1.250	0.53	20	0.09
90234351*-C1	ERX.63*-p-5/16-18x1½-C1	2.48	5/16-18	2.89	0.75	1.69	1.85	1.48	0.31	1.36	0.59	1.500	0.53	20	0.09
90234353*-C1	ERX.63*-p-5/16-18x1¾-C1	2.48	5/16-18	2.89	0.75	1.69	1.85	1.48	0.31	1.36	0.59	1.750	0.53	20	0.09
90234356*-C1	ERX.63*-p-5/16-18x2-C1	2.48	5/16-18	2.89	0.75	1.69	1.85	1.48	0.31	1.36	0.59	2.000	0.53	20	0.09
90234358*-C1	ERX.63*-p-5/16-18x2½-C1	2.48	5/16-18	2.89	0.75	1.69	1.85	1.48	0.31	1.36	0.59	2.500	0.53	20	0.1
90234361*-C1	ERX.63*-p-3/8-16x5/8-C1	2.48	3/8-16	2.89	0.75	1.69	1.85	1.48	0.31	1.36	0.59	0.625	0.53	20	0.1
90234363*-C1	ERX.63*-p-3/8-16x3/4-C1	2.48	3/8-16	2.89	0.75	1.69	1.85	1.48	0.31	1.36	0.59	0.750	0.53	20	0.1
90234364*-C1	ERX.63*-p-3/8-16x1-C1	2.48	3/8-16	2.89	0.75	1.69	1.85	1.48	0.31	1.36	0.59	1.000	0.53	20	0.11
90234366*-C1	ERX.63*-p-3/8-16x1¼-C1	2.48	3/8-16	2.89	0.75	1.69	1.85	1.48	0.31	1.36	0.59	1.250	0.53	20	0.11
90234367*-C1	ERX.63*-p-3/8-16x1½-C1	2.48	3/8-16	2.89	0.75	1.69	1.85	1.48	0.31	1.36	0.59	1.500	0.53	20	0.11
90234369*-C1	ERX.63*-p-3/8-16x1¾-C1	2.48	3/8-16	2.89	0.75	1.69	1.85	1.48	0.31	1.36	0.59	1.750	0.53	20	0.12
90234371*-C1	ERX.63*-p-3/8-16x2-C1	2.48	3/8-16	2.89	0.75	1.69	1.85	1.48	0.31	1.36	0.59	2.000	0.53	20	0.12
90234373*-C1	ERX.63*-p-3/8-16x2½-C1	2.48	3/8-16	2.89	0.75	1.69	1.85	1.48	0.31	1.36	0.59	2.500	0.53	20	0.12
90234513*-C1	ERX.78*-p-3/8-16x5/8-C1	3.11	3/8-16	3.56	0.96	2.13	2.28	1.85	0.47	1.73	0.75	0.625	0.63	24	0.14
90234516*-C1	ERX.78-p3/8-16x3/4-C1	3.11	3/8-16	3.56	0.96	2.13	2.28	1.85	0.47	1.73	0.75	0.750	0.63	24	0.15
90234521*-C1	ERX.78*-p-3/8-16x1-C1	3.11	3/8-16	3.56	0.96	2.13	2.28	1.85	0.47	1.73	0.75	1.000	0.63	24	0.15
90234526*-C1	ERX.78*-p-3/8-16x1¼-C1	3.11	3/8-16	3.56	0.96	2.13	2.28	1.85	0.47	1.73	0.75	1.250	0.63	24	0.16
90234531*-C1	ERX.78*-p-3/8-16x1½-C1	3.11	3/8-16	3.56	0.96	2.13	2.28	1.85	0.47	1.73	0.75	1.500	0.63	24	0.16
90234533*-C1	ERX.78*-p-3/8-16x1¾-C1	3.11	3/8-16	3.56	0.96	2.13	2.28	1.85	0.47	1.73	0.75	1.750	0.63	24	0.17
90234536*-C1	ERX.78*-p-3/8-16x2-C1	3.11	3/8-16	3.56	0.96	2.13	2.28	1.85	0.47	1.73	0.75	2.000	0.63	24	0.17
90234541*-C1	ERX.78*-p-3/8-16x2½-C1	3.11	3/8-16	3.56	0.96	2.13	2.28	1.85	0.47	1.73	0.75	2.500	0.63	24	0.19
90234565*-C1	ERX.78*-p-1/2-13x5/8-C1	3.11	1/2-13	3.56	0.96	2.13	2.28	1.85	0.47	1.73	0.75	0.625	0.63	24	0.16
90234567*-C1	ERX.78*-p-1/2-13x3/4-C1	3.11	1/2-13	3.56	0.96	2.13	2.28	1.85	0.47	1.73	0.75	0.750	0.63	24	0.16
90234569*-C1	ERX.78*-p-1/2-13x1-C1	3.11	1/2-13	3.56	0.96	2.13	2.28	1.85	0.47	1.73	0.75	1.000	0.63	24	0.16
90234571*-C1	ERX.78*-p-1/2-13x1¼-C1	3.11	1/2-13	3.56	0.96	2.13	2.28	1.85	0.47	1.73	0.75	1.250	0.63	24	0.17
90234576*-C1	ERX.78*-p-1/2-13x1½-C1	3.11	1/2-13	3.56	0.96	2.13	2.28	1.85	0.47	1.73	0.75	1.500	0.63	24	0.17
90234579*-C1	ERX.78*-p-1/2-13x1¾-C1	3.11	1/2-13	3.56	0.96	2.13	2.28	1.85	0.47	1.73	0.75	1.750	0.63	24	0.18
90234581*-C1	ERX.78*-p-1/2-13x2-C1	3.11	1/2-13	3.56	0.96	2.13	2.28	1.85	0.47	1.73	0.75	2.000	0.63	24	0.18
90234681*-C1	ERX.95*-p-3/8-16x1-C1	3.74	3/8-16	4.29	1.04	2.54	2.72	2.15	0.51	2.09	0.85	1.000	0.71	26	0.18
90234683*-C1	ERX.95*-p-3/8-16x1¼-C1	3.74	3/8-16	4.29	1.04	2.54	2.72	2.15	0.51	2.09	0.85	1.250	0.71	26	0.18
90234685*-C1	ERX.95*-p-3/8-16x1¾-C1	3.74	3/8-16	4.29	1.04	2.54	2.72	2.15	0.51	2.09	0.85	1.375	0.71	26	0.18
90234687*-C1	ERX.95*-p-3/8-16x1½-C1	3.74	3/8-16	4.29	1.04	2.54	2.72	2.15	0.51	2.09	0.85	1.500	0.71	26	0.19
90234689*-C1	ERX.95*-p-3/8-16x1¾-C1	3.74	3/8-16	4.29	1.04	2.54	2.72	2.15	0.51	2.09	0.85	1.750	0.71	26	0.19
90234691*-C1	ERX.95*-p-3/8-16x2-C1	3.74	3/8-16	4.29	1.04	2.54	2.72	2.15	0.51	2.09	0.85	2.000	0.71	26	0.19
90234693*-C1	ERX.95*-p-3/8-16x2½-C1	3.74	3/8-16	4.29	1.04	2.54	2.72	2.15	0.51	2.09	0.85	2.500	0.71	26	0.2
90234706*-C1	ERX.95*-p-1/2-13x1-C1	3.74	1/2-13	4.29	1.04	2.54	2.72	2.15	0.51	2.09	0.85	1.000	0.71	26	0.18
90234711*-C1	ERX.95*-p-1/2-13x1¼-C1	3.74	1/2-13	4.29	1.04	2.54	2.72	2.15	0.51	2.09	0.85	1.250	0.71	26	0.19
90234713*-C1	ERX.95*-p-1/2-13x1¾-C1	3.74	1/2-13	4.29	1.04	2.54	2.72	2.15	0.51	2.09	0.85	1.375	0.71	26	0.21
90234716*-C1	ERX.95*-p-1/2-13x1½-C1	3.74	1/2-13	4.29	1.04	2.54	2.72	2.15	0.51	2.09	0.85	1.500	0.71	26	0.22
90234719*-C1	ERX.95*-p-1/2-13x1¾-C1	3.74	1/2-13	4.29	1.04	2.54	2.72	2.15	0.51	2.09	0.85	1.750	0.71	26	0.22
90234721*-C1	ERX.95*-p-1/2-13x2-C1	3.74	1/2-13	4.29	1.04	2.54	2.72	2.15	0.51	2.09	0.85	2.000	0.71	26	0.23
90234726*-C1	ERX.95*-p-1/2-13x2½-C1	3.74	1/2-13	4.29	1.04	2.54	2.72	2.15	0.51	2.09	0.85	2.500	0.71	26	0.23
90234731*-C1	ERX.108*-p-1/2-13x1¼-C1	4.25	1/2-13	4.84	1.18	2.58	2.76	2.15	0.43	2.07	0.98	1.250	0.79	28	0.24
90234736*-C1	ERX.108*-p-1/2-13x1½-C1	4.25	1/2-13	4.84	1.18	2.58	2.76	2.15	0.43	2.07	0.98	1.250	0.79	28	0.25
90234741*-C1	ERX.108*-p-1/2-13x2-C1	4.25	1/2-13	4.84	1.18	2.58	2.76	2.15	0.43	2.07	0.98	2.000	0.79	28	0.27

Clamping levers



* Complete with colour index, example: 90235187-C2 ERX.30 SST-p-10-24x5/8-C2

C1 RAL7021
 C2 RAL2004
 C3 RAL7035
 C4 RAL1021
 C5 RAL5024
 C6 RAL3000
 C17 RAL6017

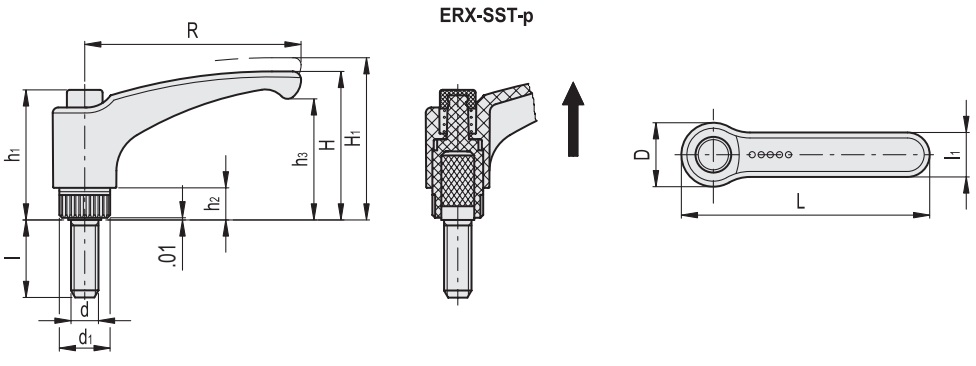
ERX-SST-p

INOX STAINLESS STEEL INCH

Code	Description	R	d2A	L	D	H	H1	h1	h2	h3	d1	l	l1	Teeth no.	
90235187-*	ERX.30 SST-p-10-24x5/8-*	1.18	10-24	1.48	0.61	1.18	1.32	1.16	0.24	0.91	0.47	0.625	0.35	18	0.02
90235186-*	ERX.30 SST-p-10-24x3/4-*	1.18	10-24	1.48	0.61	1.18	1.32	1.16	0.24	0.91	0.47	0.750	0.35	18	0.02
90235188-*	ERX.30 SST-p-10-24x1-*	1.18	10-24	1.48	0.61	1.18	1.32	1.16	0.24	0.91	0.47	1.000	0.35	18	0.02
90235189-*	ERX.30 SST-p-10-24x1¼-*	1.18	10-24	1.48	0.61	1.18	1.32	1.16	0.24	0.91	0.47	1.250	0.35	18	0.02
90235190-*	ERX.30 SST-p-10-32x1/2-*	1.18	10-32	1.48	0.61	1.18	1.32	1.16	0.24	0.91	0.47	2.000	0.35	18	0.03
90235192-*	ERX.30 SST-p-10-32x5/8-*	1.18	10-32	1.48	0.61	1.18	1.32	1.16	0.24	0.91	0.47	0.625	0.35	18	0.02
90235191-*	ERX.30 SST-p-10-32x3/4-*	1.18	10-32	1.48	0.61	1.18	1.32	1.16	0.24	0.91	0.47	0.750	0.35	18	0.02
90235193-*	ERX.30 SST-p-10-32x1-*	1.18	10-32	1.48	0.61	1.18	1.32	1.16	0.24	0.91	0.47	1.000	0.35	18	0.02
90235194-*	ERX.30 SST-p-10-32x1¼-*	1.18	10-32	1.48	0.61	1.18	1.32	1.16	0.24	0.91	0.47	1.250	0.35	18	0.02
90235196-*	ERX.30 SST-p-1/4-20x1/2-*	1.18	1/4-20	1.48	0.61	1.18	1.32	1.16	0.24	0.91	0.47	0.500	0.35	18	0.02
90235197-*	ERX.30 SST-p-1/4-20x5/8-*	1.18	1/4-20	1.48	0.61	1.18	1.32	1.16	0.24	0.91	0.47	0.625	0.35	18	0.02
90235198-*	ERX.30 SST-p-1/4-20x3/4-*	1.18	1/4-20	1.48	0.61	1.18	1.32	1.16	0.24	0.91	0.47	0.750	0.35	18	0.02
90235199-*	ERX.30 SST-p-1/4-20x1-*	1.18	1/4-20	1.48	0.61	1.18	1.32	1.16	0.24	0.91	0.47	1.000	0.35	18	0.03
90235200-*	ERX.30 SST-p-1/4-20x1¼-*	1.18	1/4-20	1.48	0.61	1.18	1.32	1.16	0.24	0.91	0.47	1.250	0.35	18	0.03
90235195-*	ERX.30 SST-p-1/4-20x1½-*	1.18	1/4-20	1.48	0.61	1.18	1.32	1.16	0.24	0.91	0.47	1.500	0.35	18	0.03
90235201-*	ERX.44 SST-p-10-24x5/8-*	1.73	10-24	2.05	0.61	1.28	1.42	1.16	0.24	0.98	0.47	0.625	0.43	18	0.02
90235202-*	ERX.44 SST-p-10-24x3/4-*	1.73	10-24	2.05	0.61	1.28	1.42	1.16	0.24	0.98	0.47	0.750	0.43	18	0.02
90235203-*	ERX.44 SST-p-10-24x1-*	1.73	10-24	2.05	0.61	1.28	1.42	1.16	0.24	0.98	0.47	1.000	0.43	18	0.03
90235204-*	ERX.44 SST-p-10-24x1¼-*	1.73	10-24	2.05	0.61	1.28	1.42	1.16	0.24	0.98	0.47	1.250	0.43	18	0.03
90235207-*	ERX.44 SST-p-10-32x1/2-*	1.73	10-32	2.05	0.61	1.28	1.42	1.16	0.24	0.98	0.47	0.500	0.43	18	0.03
90235208-*	ERX.44 SST-p-10-32x5/8-*	1.73	10-32	2.05	0.61	1.28	1.42	1.16	0.24	0.98	0.47	0.625	0.43	18	0.03
90235206-*	ERX.44 SST-p-10-32x3/4-*	1.73	10-32	2.05	0.61	1.28	1.42	1.16	0.24	0.98	0.47	0.750	0.43	18	0.03
90235209-*	ERX.44 SST-p-10-32x1-*	1.73	10-32	2.05	0.61	1.28	1.42	1.16	0.24	0.98	0.47	1.000	0.43	18	0.04
90235210-*	ERX.44 SST-p-10-32x1¼-*	1.73	10-32	2.05	0.61	1.28	1.42	1.16	0.24	0.98	0.47	1.250	0.43	18	0.04
90235221-*	ERX.44 SST-p-1/4-20x1/2-*	1.73	1/4-20	2.05	0.61	1.28	1.42	1.16	0.24	0.98	0.47	0.500	0.43	18	0.03
90235223-*	ERX.44 SST-p-1/4-20x5/8-*	1.73	1/4-20	2.05	0.61	1.28	1.42	1.16	0.24	0.98	0.47	0.625	0.43	18	0.04
90235226-*	ERX.44 SST-p-1/4-20x3/4-*	1.73	1/4-20	2.05	0.61	1.28	1.42	1.16	0.24	0.98	0.47	0.750	0.43	18	0.04
90235231-*	ERX.44 SST-p-1/4-20x1-*	1.73	1/4-20	2.05	0.61	1.28	1.42	1.16	0.24	0.98	0.47	1.000	0.43	18	0.04
90235236-*	ERX.44 SST-p-1/4-20x1¼-*	1.73	1/4-20	2.05	0.61	1.28	1.42	1.16	0.24	0.98	0.47	1.250	0.43	18	0.04
90235241-*	ERX.44 SST-p-1/4-20x1½-*	1.73	1/4-20	2.05	0.61	1.28	1.42	1.16	0.24	0.98	0.47	1.500	0.43	18	0.04



- 1
- 2
- 3
- 4
- 5
- 6
- 7
- 8
- 9
- 10
- 11
- 12
- 13
- 14
- 15
- 16
- 17
- 18
- 19



* Complete with colour index, example: 90235187-C2-C1 ERX.30-C2-SST-p-10-24x5/8-C1

	C2		C3		C4		C5		C6		C17
--	----	--	----	--	----	--	----	--	----	--	-----

INOX STAINLESS STEEL **INCH**

ERX-SST-p

Code	Description	R	d2A	L	D	H	H1	h1	h2	h3	d1	l	l1	Teeth no.	
90235411.*	ERX.63 SST-p-1/4-20x1/2.*	2.48	1/4-20	2.89	0.75	1.69	1.85	1.48	0.31	1.36	0.59	0.500	0.53	20	0.06
90235416.*	ERX.63 SST-p-1/4-20x5/8.*	2.48	1/4-20	2.89	0.75	1.69	1.85	1.48	0.31	1.36	0.59	0.625	0.53	20	0.07
90235421.*	ERX.63 SST-p-1/4-20x3/4.*	2.48	1/4-20	2.89	0.75	1.69	1.85	1.48	0.31	1.36	0.59	0.750	0.53	20	0.07
90235433.*	ERX.63 SST-p-5/16-18x5/8.*	2.48	5/16-18	2.89	0.75	1.69	1.85	1.48	0.31	1.36	0.59	0.625	0.53	20	0.07
90235436.*	ERX.63 SST-p-5/16-18x3/4.*	2.48	5/16-18	2.89	0.75	1.69	1.85	1.48	0.31	1.36	0.59	0.750	0.53	20	0.08
90235441.*	ERX.63 SST-p-5/16-18x1.*	2.48	5/16-18	2.89	0.75	1.69	1.85	1.48	0.31	1.36	0.59	1.000	0.53	20	0.08
90235446.*	ERX.63 SST-p-5/16-18x1 1/4.*	2.48	5/16-18	2.89	0.75	1.69	1.85	1.48	0.31	1.36	0.59	1.250	0.53	20	0.09
90235451.*	ERX.63 SST-p-5/16-18x1 1/2.*	2.48	5/16-18	2.89	0.75	1.69	1.85	1.48	0.31	1.36	0.59	1.500	0.53	20	0.09
90235456.*	ERX.63 SST-p-5/16-18x1 3/4.*	2.48	5/16-18	2.89	0.75	1.69	1.85	1.48	0.31	1.36	0.59	1.750	0.53	20	0.09
90235461.*	ERX.63 SST-p-5/16-18x2.*	2.48	5/16-18	2.89	0.75	1.69	1.85	1.48	0.31	1.36	0.59	2.000	0.53	20	0.09
90235466.*	ERX.63 SST-p-5/16-18x2 1/2.*	2.48	5/16-18	2.89	0.75	1.69	1.85	1.48	0.31	1.36	0.59	2.500	0.53	20	0.1
90235471.*	ERX.63 SST-p-3/8-16x3/4.*	2.48	3/8-16	2.89	0.75	1.69	1.85	1.48	0.31	1.36	0.59	0.750	0.53	20	0.09
90235473.*	ERX.63 SST-p-3/8-16x1.*	2.48	3/8-16	2.89	0.75	1.69	1.85	1.48	0.31	1.36	0.59	1.000	0.53	20	0.09
90235476.*	ERX.63 SST-p-3/8-16x1 1/4.*	2.48	3/8-16	2.89	0.75	1.69	1.85	1.48	0.31	1.36	0.59	1.250	0.53	20	0.09
90235481.*	ERX.63 SST-p-3/8-16x1 1/2.*	2.48	3/8-16	2.89	0.75	1.69	1.85	1.48	0.31	1.36	0.59	1.500	0.53	20	0.1
90235739.*	ERX.78 SST-p-3/8-16x1 1/4.*	3.11	3/8-16	3.56	0.96	2.13	2.28	1.85	0.47	1.73	0.75	1.750	0.63	24	0.1
90235746.*	ERX.78 SST-p-3/8-16x2 1/4.*	3.11	3/8-16	3.56	0.96	2.13	2.28	1.85	0.47	1.73	0.75	2.500	0.63	24	0.11
90235723.*	ERX.78 SST-p-3/8-16x3/4.*	3.11	3/8-16	3.56	0.96	2.13	2.28	1.85	0.47	1.73	0.75	0.750	0.63	24	0.15
90235726.*	ERX.78 SST-p-3/8-16x1.*	3.11	3/8-16	3.56	0.96	2.13	2.28	1.85	0.47	1.73	0.75	1.000	0.63	24	0.15
90235731.*	ERX.78 SST-p-3/8-16x1 1/4.*	3.11	3/8-16	3.56	0.96	2.13	2.28	1.85	0.47	1.73	0.75	1.250	0.63	24	0.15
90235736.*	ERX.78 SST-p-3/8-16x1 1/2.*	3.11	3/8-16	3.56	0.96	2.13	2.28	1.85	0.47	1.73	0.75	1.500	0.63	24	0.17
90235741.*	ERX.78 SST-p-3/8-16x2.*	3.11	3/8-16	3.56	0.96	2.13	2.28	1.85	0.47	1.73	0.75	2.000	0.63	24	0.18
90235761.*	ERX.78 SST-p-1/2-13x3/4.*	3.11	1/2-13	3.56	0.96	2.13	2.28	1.85	0.47	1.73	0.75	0.750	0.63	24	0.16
90235766.*	ERX.78 SST-p-1/2-13x1.*	3.11	1/2-13	3.56	0.96	2.13	2.28	1.85	0.47	1.73	0.75	1.000	0.63	24	0.17
90235771.*	ERX.78 SST-p-1/2-13x1 1/4.*	3.11	1/2-13	3.56	0.96	2.13	2.28	1.85	0.47	1.73	0.75	1.250	0.63	24	0.18
90235773.*	ERX.78 SST-p-1/2-13x1 1/2.*	3.11	1/2-13	3.56	0.96	2.13	2.28	1.85	0.47	1.73	0.75	1.500	0.63	24	0.19
90235776.*	ERX.78 SST-p-1/2-13x2.*	3.11	1/2-13	3.56	0.96	2.13	2.28	1.85	0.47	1.73	0.75	2.000	0.63	24	0.22
90235916.*	ERX.95 SST-p-1/2-13x1.*	3.74	1/2-13	4.29	1.04	2.54	2.72	2.15	0.51	2.09	0.85	1.000	0.71	26	0.22
90235921.*	ERX.95 SST-p-1/2-13x1 1/4.*	3.74	1/2-13	4.29	1.04	2.54	2.72	2.15	0.51	2.09	0.85	1.250	0.71	26	0.23
90235926.*	ERX.95 SST-p-1/2-13x1 1/2.*	3.74	1/2-13	4.29	1.04	2.54	2.72	2.15	0.51	2.09	0.85	1.500	0.71	26	0.24
90235929.*	ERX.95 SST-p-1/2-13x1 3/4.*	3.74	1/2-13	4.29	1.04	2.54	2.72	2.15	0.51	2.09	0.85	1.750	0.71	26	0.25
90235931.*	ERX.95 SST-p-1/2-13x2.*	3.74	1/2-13	4.29	1.04	2.54	2.72	2.15	0.51	2.09	0.85	2.000	0.71	26	0.27
90235936.*	ERX.95 SST-p-1/2-13x2 1/2.*	3.74	1/2-13	4.29	1.04	2.54	2.72	2.15	0.51	2.09	0.85	2.500	0.71	26	0.29
90236006.*	ERX.108 SST-p-1/2-13x1 1/4.*	4.25	1/2-13	4.84	1.18	2.58	2.76	2.15	0.43	2.07	0.98	1.250	0.79	28	0.17
90236011.*	ERX.108 SST-p-1/2-13x1 1/2.*	4.25	1/2-13	4.84	1.18	2.58	2.76	2.15	0.43	2.07	0.98	1.500	0.79	28	0.18
90236016.*	ERX.108 SST-p-1/2-13x2.*	4.25	1/2-13	4.84	1.18	2.58	2.76	2.15	0.43	2.07	0.98	2.000	0.79	28	0.18

Clamping levers

ERX-SST-p



Code	Description	R	d2A	L	D	H	H1	h1	h2	h3	d1	l	l1	Teeth no.	
90235187*-C1	ERX.30*-SST-p-10-24x5/8-C1	1.18	10-24	1.48	0.61	1.18	1.32	1.16	0.24	0.91	0.47	0.625	0.35	18	0.02
90235186*-C1	ERX.30*-SST-p-10-24x3/4-C1	1.18	10-24	1.48	0.61	1.18	1.32	1.16	0.24	0.91	0.47	0.750	0.35	18	0.02
90235188*-C1	ERX.30*-SST-p-10-24x1-C1	1.18	10-24	1.48	0.61	1.18	1.32	1.16	0.24	0.91	0.47	1.000	0.35	18	0.02
90235189*-C1	ERX.30*-SST-p-10-24x1¼-C1	1.18	10-24	1.48	0.61	1.18	1.32	1.16	0.24	0.91	0.47	1.250	0.35	18	0.02
90235190*-C1	ERX.30*-SST-p-10-32x1/2-C1	1.18	10-32	1.48	0.61	1.18	1.32	1.16	0.24	0.91	0.47	2.000	0.35	18	0.03
90235192*-C1	ERX.30*-SST-p-10-32x5/8-C1	1.18	10-32	1.48	0.61	1.18	1.32	1.16	0.24	0.91	0.47	0.625	0.35	18	0.02
90235191*-C1	ERX.30*-SST-p-10-32x3/4-C1	1.18	10-32	1.48	0.61	1.18	1.32	1.16	0.24	0.91	0.47	0.750	0.35	18	0.02
90235193*-C1	ERX.30*-SST-p-10-32x1-C1	1.18	10-32	1.48	0.61	1.18	1.32	1.16	0.24	0.91	0.47	1.000	0.35	18	0.02
90235194*-C1	ERX.30*-SST-p-10-32x1¼-C1	1.18	10-32	1.48	0.61	1.18	1.32	1.16	0.24	0.91	0.47	1.250	0.35	18	0.02
90235196*-C1	ERX.30*-SST-p-1/4-20x1/2-C1	1.18	1/4-20	1.48	0.61	1.18	1.32	1.16	0.24	0.91	0.47	0.500	0.35	18	0.02
90235197*-C1	ERX.30*-SST-p-1/4-20x3/8-C1	1.18	1/4-20	1.48	0.61	1.18	1.32	1.16	0.24	0.91	0.47	0.625	0.35	18	0.02
90235198*-C1	ERX.30*-SST-p-1/4-20x3/4-C1	1.18	1/4-20	1.48	0.61	1.18	1.32	1.16	0.24	0.91	0.47	0.750	0.35	18	0.02
90235199*-C1	ERX.30*-SST-p-1/4-20x1-C1	1.18	1/4-20	1.48	0.61	1.18	1.32	1.16	0.24	0.91	0.47	1.000	0.35	18	0.03
90235200*-C1	ERX.30*-SST-p-1/4-20x1¼-C1	1.18	1/4-20	1.48	0.61	1.18	1.32	1.16	0.24	0.91	0.47	1.250	0.35	18	0.03
90235195*-C1	ERX.30*-SST-p-1/4-20x1½-C1	1.18	1/4-20	1.48	0.61	1.18	1.32	1.16	0.24	0.91	0.47	1.500	0.35	18	0.03
90235201*-C1	ERX.44*-SST-p-10-24x5/8-C1	1.73	10-24	2.05	0.61	1.28	1.42	1.16	0.24	0.98	0.47	0.625	0.43	18	0.02
90235202*-C1	ERX.44*-SST-p-10-24x3/4-C1	1.73	10-24	2.05	0.61	1.28	1.42	1.16	0.24	0.98	0.47	0.750	0.43	18	0.02
90235203*-C1	ERX.44*-SST-p-10-24x1-C1	1.73	10-24	2.05	0.61	1.28	1.42	1.16	0.24	0.98	0.47	1.000	0.43	18	0.03
90235204*-C1	ERX.44*-SST-p-10-24x1¼-C1	1.73	10-24	2.05	0.61	1.28	1.42	1.16	0.24	0.98	0.47	1.250	0.43	18	0.03
90235207*-C1	ERX.44*-SST-p-10-32x1/2-C1	1.73	10-32	2.05	0.61	1.28	1.42	1.16	0.24	0.98	0.47	0.500	0.43	18	0.03
90235208*-C1	ERX.44*-SST-p-10-32x5/8-C1	1.73	10-32	2.05	0.61	1.28	1.42	1.16	0.24	0.98	0.47	0.625	0.43	18	0.03
90235206*-C1	ERX.44*-SST-p-10-32x3/4-C1	1.73	10-32	2.05	0.61	1.28	1.42	1.16	0.24	0.98	0.47	0.750	0.43	18	0.03
90235209*-C1	ERX.44*-SST-p-10-32x1-C1	1.73	10-32	2.05	0.61	1.28	1.42	1.16	0.24	0.98	0.47	1.000	0.43	18	0.04
90235210*-C1	ERX.44*-SST-p-10-32x1¼-C1	1.73	10-32	2.05	0.61	1.28	1.42	1.16	0.24	0.98	0.47	1.250	0.43	18	0.04
90235221*-C1	ERX.44*-SST-p-1/4-20x1/2-C1	1.73	1/4-20	2.05	0.61	1.28	1.42	1.16	0.24	0.98	0.47	0.500	0.43	18	0.03
90235223*-C1	ERX.44*-SST-p-1/4-20x5/8-C1	1.73	1/4-20	2.05	0.61	1.28	1.42	1.16	0.24	0.98	0.47	0.625	0.43	18	0.04
90235226*-C1	ERX.44*-SST-p-1/4-20x3/4-C1	1.73	1/4-20	2.05	0.61	1.28	1.42	1.16	0.24	0.98	0.47	0.750	0.43	18	0.04
90235231*-C1	ERX.44*-SST-p-1/4-20x1-C1	1.73	1/4-20	2.05	0.61	1.28	1.42	1.16	0.24	0.98	0.47	1.000	0.43	18	0.04
90235236*-C1	ERX.44*-SST-p-1/4-20x1¼-C1	1.73	1/4-20	2.05	0.61	1.28	1.42	1.16	0.24	0.98	0.47	1.250	0.43	18	0.04
90235241*-C1	ERX.44*-SST-p-1/4-20x1½-C1	1.73	1/4-20	2.05	0.61	1.28	1.42	1.16	0.24	0.98	0.47	1.500	0.43	18	0.04
90235411*-C1	ERX.63*-SST-p-1/4-20x1/2-C1	2.48	1/4-20	2.89	0.75	1.69	1.85	1.48	0.31	1.36	0.59	0.500	0.53	20	0.06
90235416*-C1	ERX.63*-SST-p-1/4-20x5/8-C1	2.48	1/4-20	2.89	0.75	1.69	1.85	1.48	0.31	1.36	0.59	0.625	0.53	20	0.07
90235421*-C1	ERX.63*-SST-p-1/4-20x3/4-C1	2.48	1/4-20	2.89	0.75	1.69	1.85	1.48	0.31	1.36	0.59	0.750	0.53	20	0.07
90235433*-C1	ERX.63*-SST-p-5/16-18x5/8-C1	2.48	5/16-18	2.89	0.75	1.69	1.85	1.48	0.31	1.36	0.59	0.625	0.53	20	0.07
90235436*-C1	ERX.63*-SST-p-5/16-18x3/4-C1	2.48	5/16-18	2.89	0.75	1.69	1.85	1.48	0.31	1.36	0.59	0.750	0.53	20	0.08
90235441*-C1	ERX.63*-SST-p-5/16-18x1-C1	2.48	5/16-18	2.89	0.75	1.69	1.85	1.48	0.31	1.36	0.59	1.000	0.53	20	0.08
90235446*-C1	ERX.63*-SST-p-5/16-18x1¼-C1	2.48	5/16-18	2.89	0.75	1.69	1.85	1.48	0.31	1.36	0.59	1.250	0.53	20	0.09
90235451*-C1	ERX.63*-SST-p-5/16-18x1½-C1	2.48	5/16-18	2.89	0.75	1.69	1.85	1.48	0.31	1.36	0.59	1.500	0.53	20	0.09
90235456*-C1	ERX.63*-SST-p-5/16-18x1¾-C1	2.48	5/16-18	2.89	0.75	1.69	1.85	1.48	0.31	1.36	0.59	1.750	0.53	20	0.09
90235461*-C1	ERX.63*-SST-p-5/16-18x2-C1	2.48	5/16-18	2.89	0.75	1.69	1.85	1.48	0.31	1.36	0.59	2.000	0.53	20	0.09
90235466*-C1	ERX.63*-SST-p-5/16-18x2½-C1	2.48	5/16-18	2.89	0.75	1.69	1.85	1.48	0.31	1.36	0.59	2.500	0.53	20	0.1
90235471*-C1	ERX.63*-SST-p-3/8-16x3/4-C1	2.48	3/8-16	2.89	0.75	1.69	1.85	1.48	0.31	1.36	0.59	0.750	0.53	20	0.09
90235473*-C1	ERX.63*-SST-p-3/8-16x1-C1	2.48	3/8-16	2.89	0.75	1.69	1.85	1.48	0.31	1.36	0.59	1.000	0.53	20	0.09
90235476*-C1	ERX.63*-SST-p-3/8-16x1¼-C1	2.48	3/8-16	2.89	0.75	1.69	1.85	1.48	0.31	1.36	0.59	1.250	0.53	20	0.09
90235481*-C1	ERX.63*-SST-p-3/8-16x1½-C1	2.48	3/8-16	2.89	0.75	1.69	1.85	1.48	0.31	1.36	0.59	1.500	0.53	20	0.1
90235739*-C1	ERX.78*-SST-p-3/8-16x1¼-C1	3.11	3/8-16	3.56	0.96	2.13	2.28	1.85	0.47	1.73	0.75	1.750	0.63	24	0.1
90235746*-C1	ERX.78*-SST-p-3/8-16x2½-C1	3.11	3/8-16	3.56	0.96	2.13	2.28	1.85	0.47	1.73	0.75	2.500	0.63	24	0.11
90235723*-C1	ERX.78*-SST-p-3/8-16x3/4-C1	3.11	3/8-16	3.56	0.96	2.13	2.28	1.85	0.47	1.73	0.75	0.750	0.63	24	0.15
90235726*-C1	ERX.78*-SST-p-3/8-16x1-C1	3.11	3/8-16	3.56	0.96	2.13	2.28	1.85	0.47	1.73	0.75	1.000	0.63	24	0.15
90235731*-C1	ERX.78*-SST-p-3/8-16x1¼-C1	3.11	3/8-16	3.56	0.96	2.13	2.28	1.85	0.47	1.73	0.75	1.250	0.63	24	0.15
90235736*-C1	ERX.78*-SST-p-3/8-16x1½-C1	3.11	3/8-16	3.56	0.96	2.13	2.28	1.85	0.47	1.73	0.75	1.500	0.63	24	0.17
90235741*-C1	ERX.78*-SST-p-3/8-16x2-C1	3.11	3/8-16	3.56	0.96	2.13	2.28	1.85	0.47	1.73	0.75	2.000	0.63	24	0.18
90235761*-C1	ERX.78*-SST-p-1/2-13x3/4-C1	3.11	1/2-13	3.56	0.96	2.13	2.28	1.85	0.47	1.73	0.75	0.750	0.63	24	0.16
90235766*-C1	ERX.78*-SST-p-1/2-13x1-C1	3.11	1/2-13	3.56	0.96	2.13	2.28	1.85	0.47	1.73	0.75	1.000	0.63	24	0.17
90235771*-C1	ERX.78*-SST-p-1/2-13x1¼-C1	3.11	1/2-13	3.56	0.96	2.13	2.28	1.85	0.47	1.73	0.75	1.250	0.63	24	0.18
90235773*-C1	ERX.78*-SST-p-1/2-13x1½-C1	3.11	1/2-13	3.56	0.96	2.13	2.28	1.85	0.47	1.73	0.75	1.500	0.63	24	0.19
90235776*-C1	ERX.78*-SST-p-1/2-13x2-C1	3.11	1/2-13	3.56	0.96	2.13	2.28	1.85	0.47	1.73	0.75	2.000	0.63	24	0.22
90235916*-C1	ERX.95*-SST-p-1/2-13x1-C1	3.74	1/2-13	4.29	1.04	2.54	2.72	2.15	0.51	2.09	0.85	1.000	0.71	26	0.22
90235921*-C1	ERX.95*-SST-p-1/2-13x1¼-C1	3.74	1/2-13	4.29	1.04	2.54	2.72	2.15	0.51	2.09	0.85	1.250	0.71	26	0.23
90235926*-C1	ERX.95*-SST-p-1/2-13x1½-C1	3.74	1/2-13	4.29	1.04	2.54	2.72	2.15	0.51	2.09	0.85	1.500	0.71	26	0.24
90235929*-C1	ERX.95*-SST-p-1/2-13x1¾-C1	3.74	1/2-13	4.29	1.04	2.54	2.72	2.15	0.51	2.09	0.85	1.750	0.71	26	0.25
90235931*-C1	ERX.95*-SST-p-1/2-13x2-C1	3.74	1/2-13	4.29	1.04	2.54	2.72	2.15	0.51	2.09	0.85	2.000	0.71	26	0.27
90235936*-C1	ERX.95*-SST-p-1/2-13x2½-C1	3.74	1/2-13	4.29	1.04	2.54	2.72	2.15	0.51	2.09	0.85	2.500	0.71	26	0.29
90236006*-C1	ERX.108*-SST-p-1/2-13x1¼-C1	4.25	1/2-13	4.84	1.18	2.58	2.76	2.15	0.43	2.07	0.98	1.250	0.79	28	0.17
90236011*-C1	ERX.108*-SST-p-1/2-13x1½-C1	4.25	1/2-13	4.84	1.18	2.58	2.76	2.15	0.43	2.07	0.98	1.500	0.79	28	0.18
90236016*-C1	ERX.108*-SST-p-1/2-13x2-C1	4.25	1/2-13	4.84	1.18	2.58	2.76	2.15	0.43	2.07	0.98	2.000	0.79	28	0.18



Clamping levers