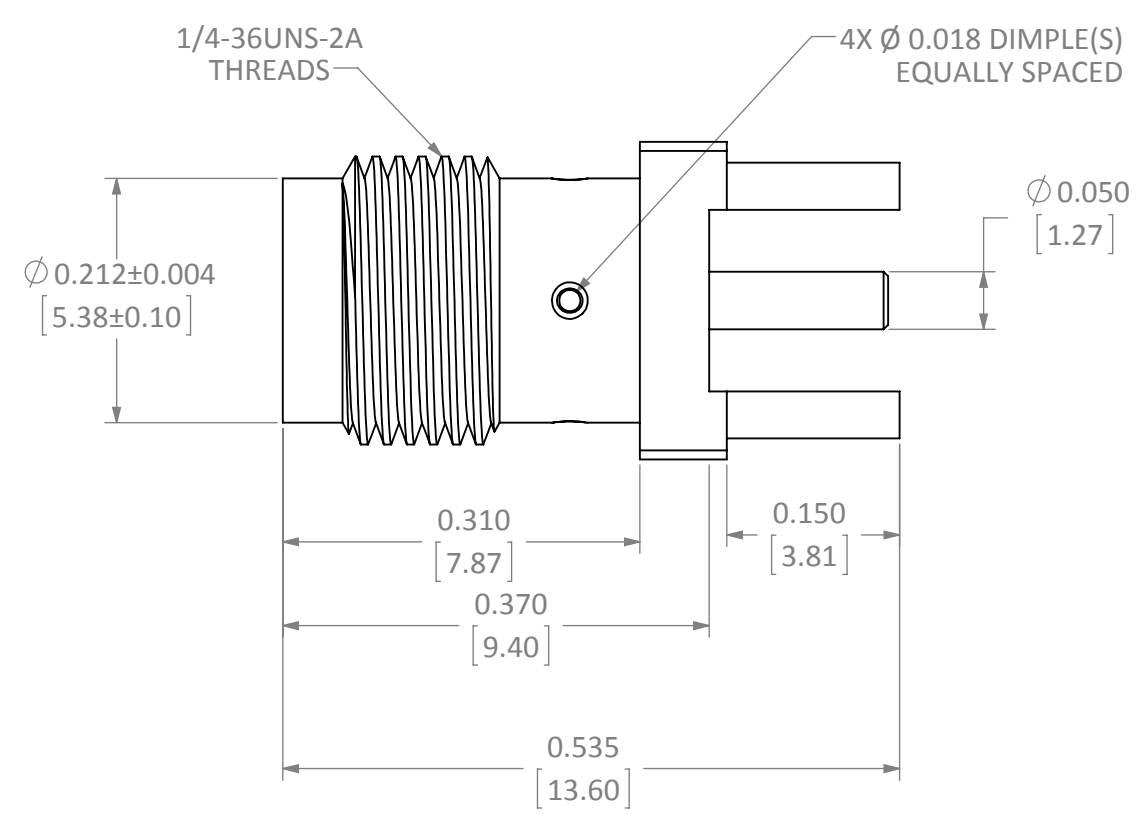


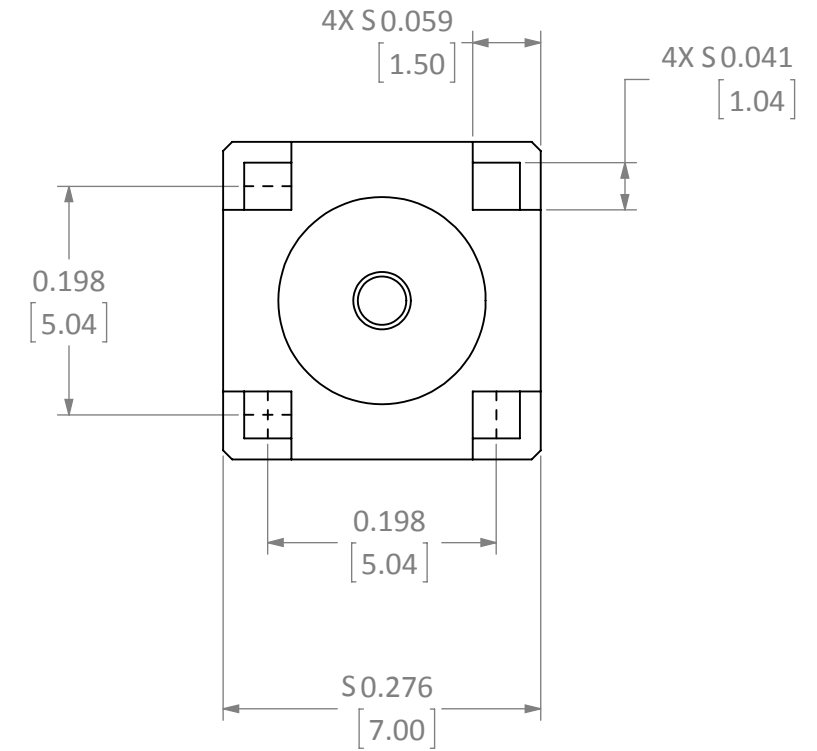
DESCRIPTION	MATERIAL	FINISH
BODY	BRASS	GOLD
SOCKET	BeCu	GOLD
INSULATION	PTFE	N/A

REVISIONS			
REV	DESCRIPTION	DATE	APPV
A	INITIAL RELEASE OF LINX INTERNAL DRAWING	11-JUN-13	SAH
B	UPDATED OUTER BARREL DIMENSION WAS Ø0.200 IS Ø0.212; UPDATED NOTE 3	29-NOV-17	CLL

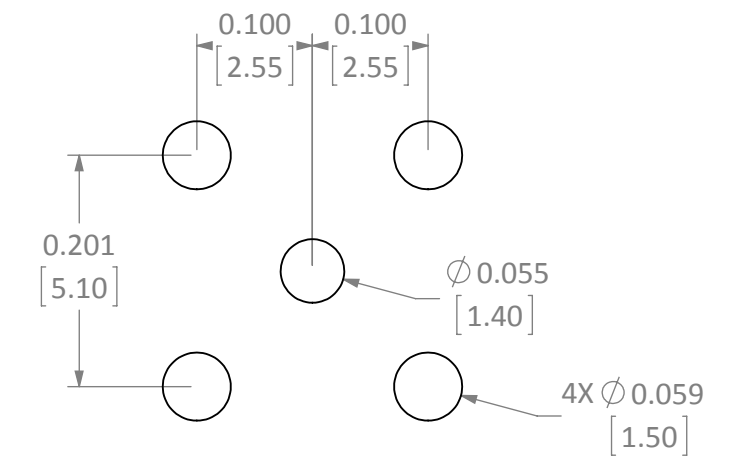
D  
C  
B  
A



SIDE VIEW



BACK VIEW



RECOMMENDED FOOTPRINT

- NOTES: (UNLESS OTHERWISE SPECIFIED)
1. ALL DIMENSIONS ARE IN INCHES [mm].
  2. DIMENSIONS APPLY AFTER FINISHING.
  3. MANUFACTURE TO BE COMPLIANT WITH EU RoHS DIRECTIVE, USE MATERIALS THAT DO NOT CONTAIN REACH SUBSTANCES OF VERY HIGH CONCERN >1000ppm, AND USE DRC CONFLICT-FREE SOURCED MATERIALS.
  4. SAFETY BREAK ALL SHARP CORNERS AND EDGES .02 MAXIMUM.

WARNING: THIS DRAWING CONTAINS PROPRIETARY INFORMATION THAT IS THE SOLE PROPERTY OF LINX TECHNOLOGIES, AND SHALL BE TREATED AS SUCH. NO DISCLOSURE OR REPRODUCTION OF THIS DOCUMENT IS PERMITTED, IN WHOLE OR IN PART, WITHOUT THE EXPRESS WRITTEN PERMISSION OF LINX TECHNOLOGIES OR ITS DESIGNATED AGENTS.

**TE**  
connectivity

TITLE: **SMA FEMALE PCB MOUNT**

MATERIAL:	INTERPRET DIMENSIONS AND TOLERANCES PER ASME Y14.5.	PROJECTION:	SIZE	DWG. NO.	REV
FINISH:	SURFACE FINISH: $\sqrt{\text{32}}$ ANGLES: ±1° TOLERANCES: .X ±.1 .XX ±.01 .XXX ±.005		<b>B</b>	<b>CONSMA001-G</b>	<b>B</b>
	DRAWN: B.MURPHY DT: 2-APR-13		SCALE: 6:1	DO NOT SCALE DRAWING	SHEET 1 OF 1
	ENGR: S.HOGAN DT: 11-JUN-13				LDCDFB_C