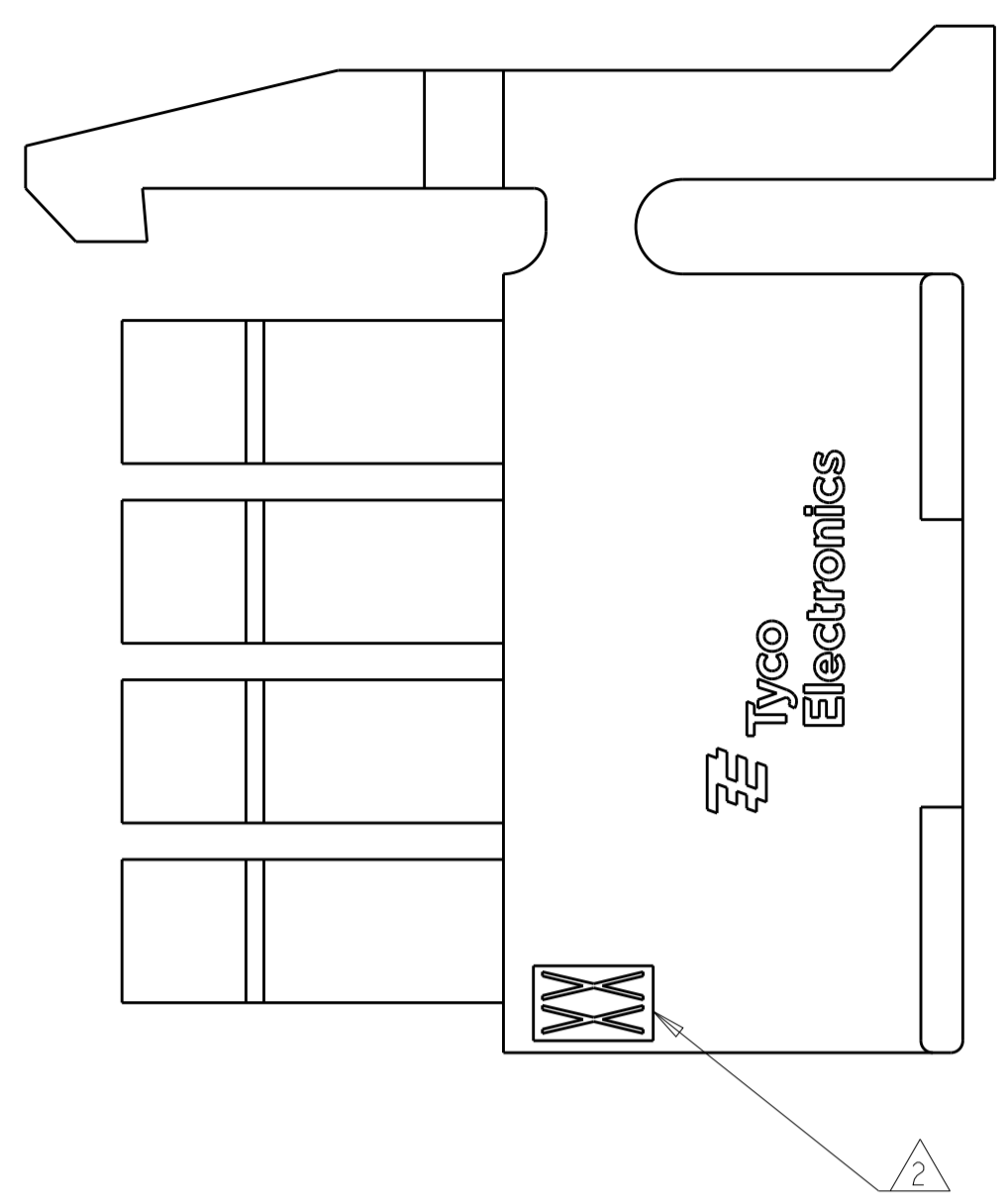
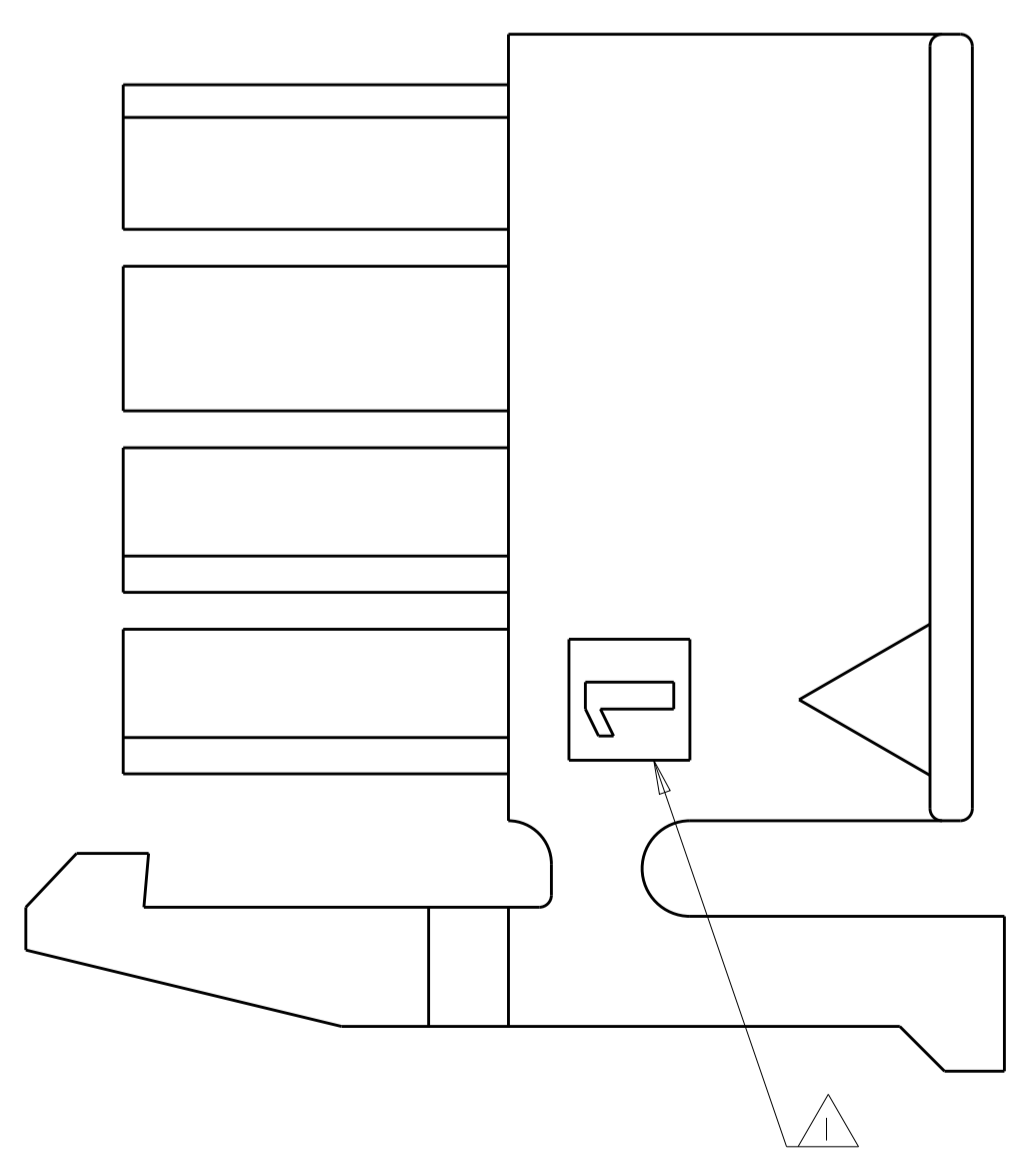
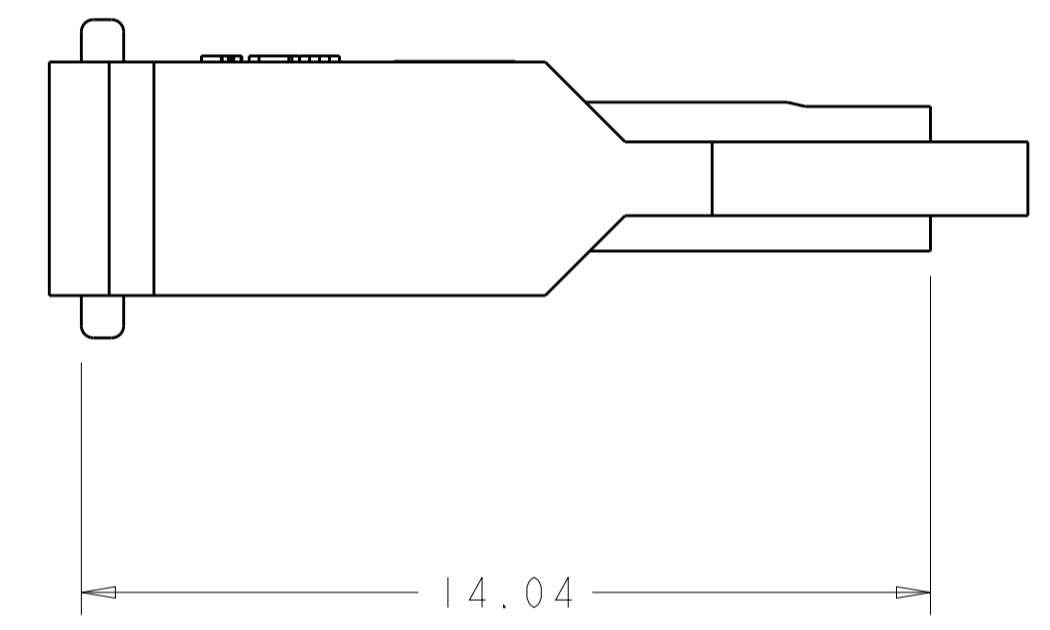
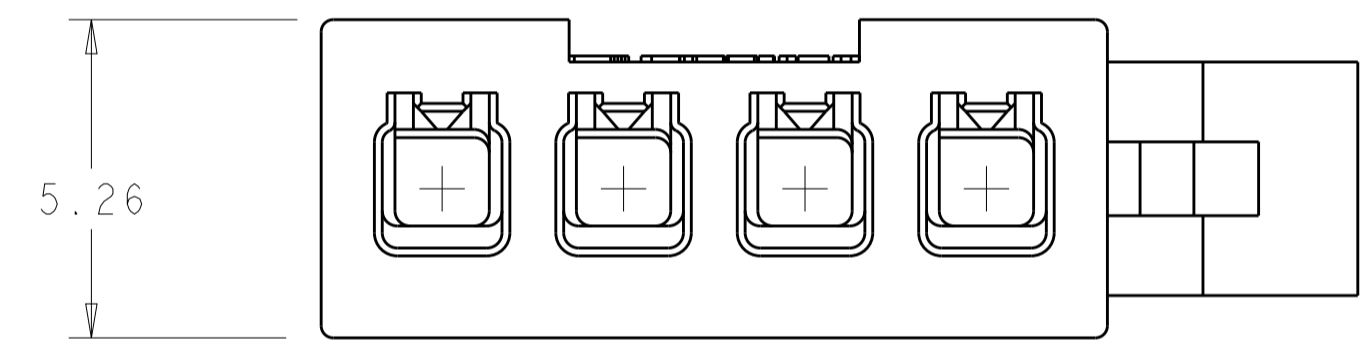
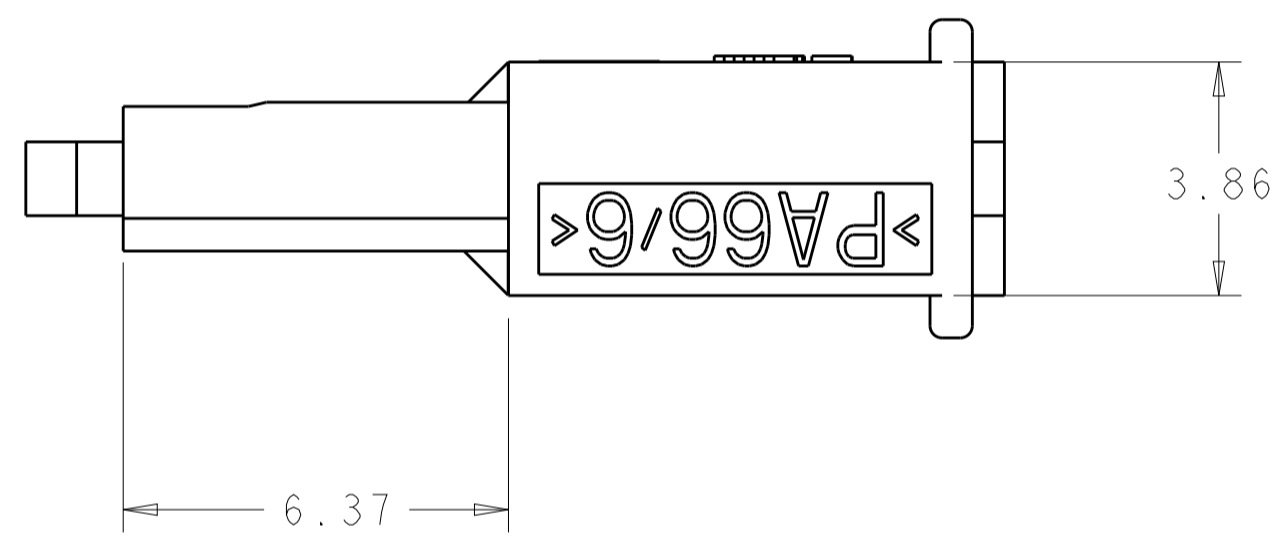
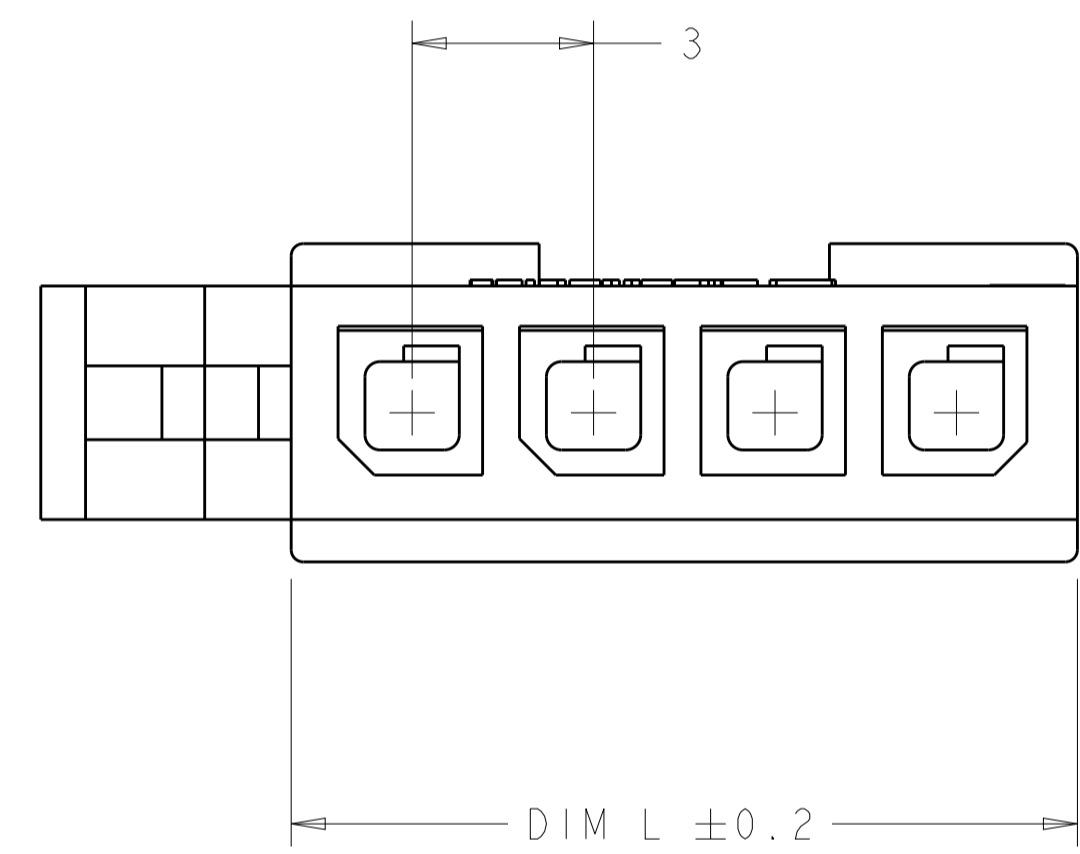


| LOC | DIST | REVISIONS | | | | | |
|-----|------|-----------|-----|---------------------------|-----------|-----|------|
| | | P | LTN | DESCRIPTION | DATE | DWN | APVD |
| CM | 00 | B | | REVISED PER ECO-17-000100 | 03MAR2017 | CX | DZ |
| | | B1 | | REVISED PER ECO-17-007352 | 10MAY2017 | CX | DZ |
| | | B2 | | ECO-19-004882 | 10APR2019 | AP | WLS |
| | | B3 | | REVISED PER ECN-20-100715 | 30NOV2020 | WLS | VS |



- ① CIRCUIT 1 IDENTIFIER, LOCATED APPROXIMATELY AS SHOWN.
- ② LAST CIRCUIT IDENTIFIER, LOCATED APPROXIMATELY AS SHOWN.
- ③ MATERIAL NYLON66/6 VO UL94 .
- ④ MATERIAL PA66 VO GW UL94 .
- ⑤ PRELIMINARY PART NOT RELEASED FOR PRODUCTION.



| | VOLUME mm ³ | DIM L | NO OF POS. | PART NO. |
|--------------|------------------------|-------|------------|-----------|
| OBsolete ④ ⑤ | 272.6 | 7 | 2 | 2029047-2 |
| ③ | 434.05 | 13 | 4 | 2029047-4 |
| ③ | 353.32 | 10 | 3 | 2029047-3 |
| ③ | 272.6 | 7 | 2 | 2029047-2 |

THIS DRAWING IS A CONTROLLED DOCUMENT.

| | | | |
|--------------------------------|--|-----------------------------|---|
| DIMENSIONS: | TOLERANCES UNLESS OTHERWISE SPECIFIED: | OWN: R. WHITAKER 03JAN2008 | NAME: RECEPTACLE HOUSING, SPECIAL, SINGLE ROW, MICRO MATE-L-LOK(TM) |
| mm | 0 PLC ± | CHK: C. JONES 03JAN2008 | SIZE: A1 |
| | 1 PLC ±0.13 | APVD: C. JONES 03JAN2008 | CAGE CODE: 100779 |
| | 2 PLC ±0.13 | PRODUCT SPEC: 108-1836 | DRAWING NO: 2029047 |
| | 3 PLC ± | APPLICATION SPEC: 114-13000 | RESTRICTED TO: CUSTOMER |
| | 4 PLC ± | WEIGHT: - | SCALE: 8:1 |
| MATERIAL: NYLON, UL94V-0 BLACK | FINISH: - | RESTRICTED CUSTOMER | SHEET 1 OF 1 |

Mouser Electronics

Authorized Distributor

Click to View Pricing, Inventory, Delivery & Lifecycle Information:

[TE Connectivity:](#)

[2029047-4](#)