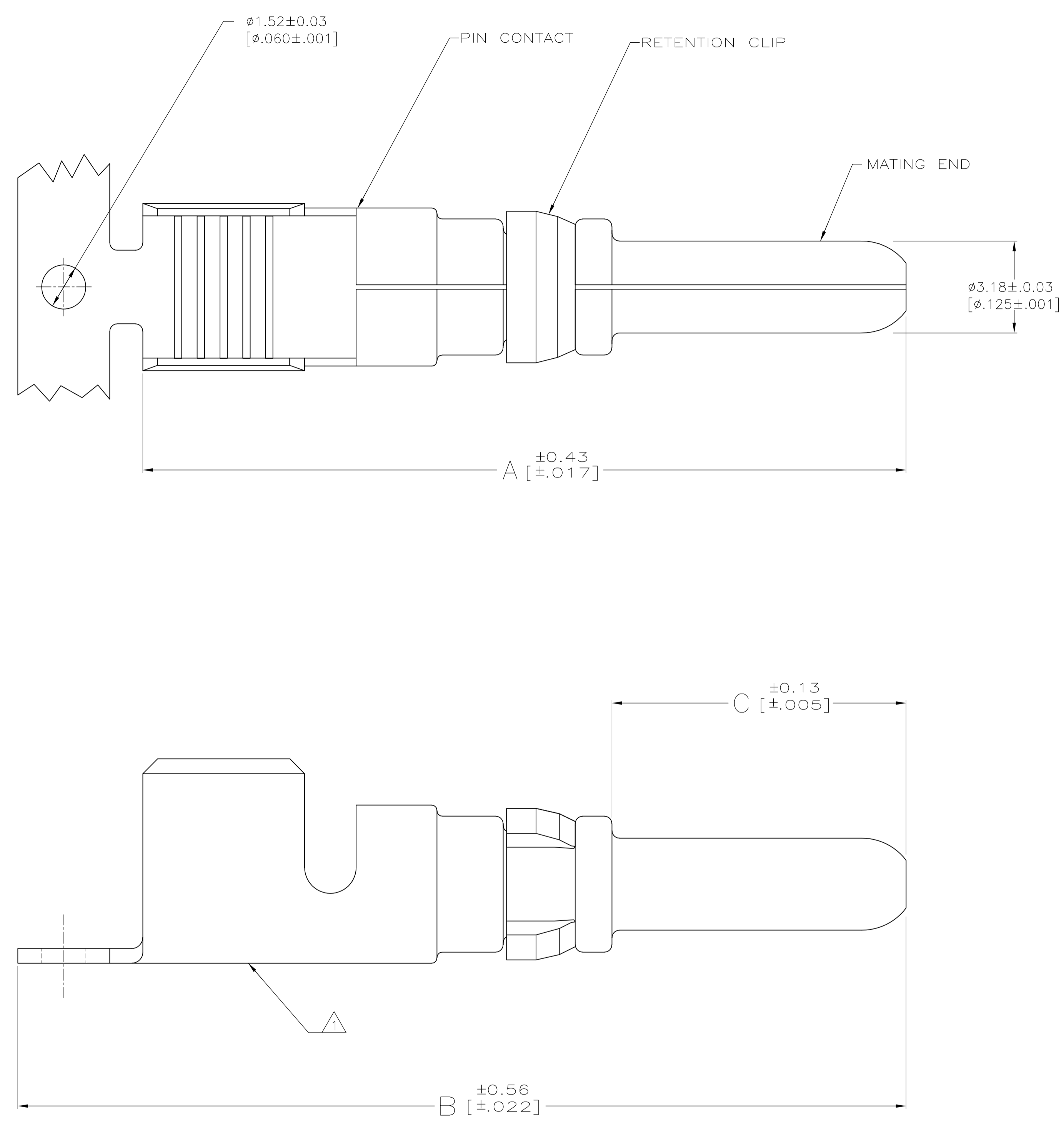
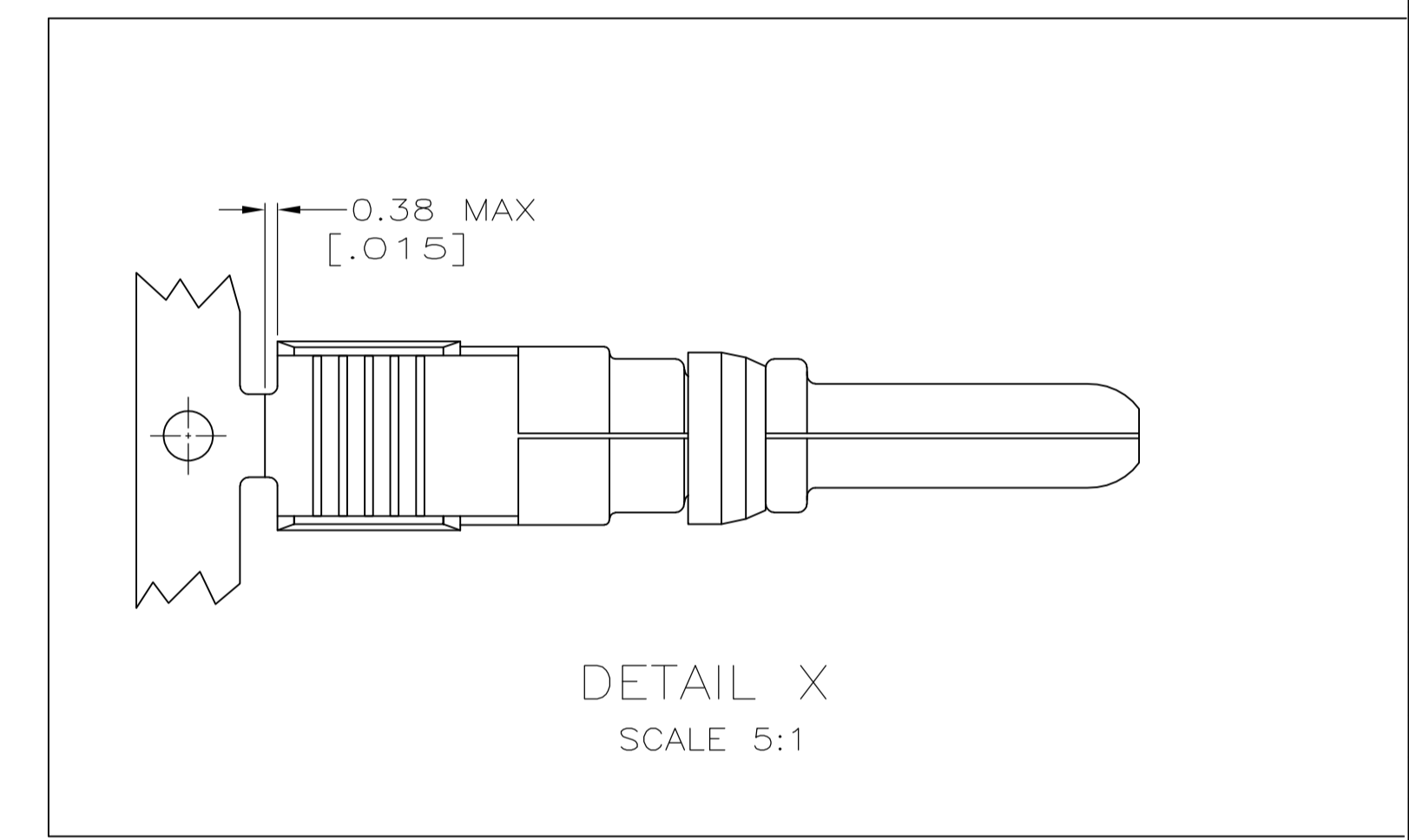


REVISIONS					
REV	BY	DESCRIPTION	DATE	APP'D	REV
B2		REVISED PER ECO-16-004223	19JUL2016	NK	MZ



- 1 WIRE SIZE AND LOGO APPEAR ON OUTSIDE OF WIRE BARREL.
- 2 RETENTION CLIP: PHOSPHOR BRONZE PER QQ-B-750.
PIN CONTACT: COPPER PER QQ-C-576.
- 3 PIN CONTACT: $0.76\mu\text{m}$ [$.000030$] MIN GOLD PER MIL-G-45204 ON CONTACT MATING END, GOLD FLASH ON REMAINDER, ALL OVER $1.27\mu\text{m}$ [$.000050$] MIN NICKEL PER QQ-N-390.
RETENTION CLIP: $2.54\mu\text{m}$ [$.000100$] MIN NICKEL PER QQ-N-290.
- 4 PIN CONTACT: $5.08\mu\text{m}$ [$.000200$] MIN SILVER PER QQ-S-365 ON CONTACT MATING END, $1.27\mu\text{m}$ [$.000050$] MIN SILVER ON REMAINDER, ALL OVER $1.27\mu\text{m}$ [$.000050$] MIN NICKEL PER QQ-N-290.
RETENTION CLIP: $2.54\mu\text{m}$ [$.000100$] MIN NICKEL PER QQ-N-290.



REV	DESCRIPTION	DATE	APP'D	REV
3	12.32 [.485]	-	28.52 [1.123]	DETAIL X 213841-8
4	12.32 [.485]	-	28.52 [1.123]	DETAIL X 213841-7
3	12.32 [.485]	32.84 [1.293]	28.52 [1.123]	- 213841-6
4	12.32 [.485]	32.84 [1.293]	28.52 [1.123]	- 213841-5
3	10.16 [.400]	-	26.37 [1.038]	DETAIL X 213841-4
4	10.16 [.400]	-	26.37 [1.038]	DETAIL X 213841-3
3	10.16 [.400]	30.68 [1.208]	26.37 [1.038]	- 213841-2
4	10.16 [.400]	30.68 [1.208]	26.37 [1.038]	- 213841-1
FINISH	C	B	A	LOOSE PIECE PART NUMBER

OBSOLETE

THIS DRAWING IS A CONTROLLED DOCUMENT.

DIMENSIONS: mm [INCHES]	TOLERANCES UNLESS OTHERWISE SPECIFIED:	DIN C. OBERMAN 21 MAR 96	STE TE Connectivity
0 PLC ± -	1 PLC ± -	CHK R. STONE 25 MAR 96	NAME
2 PLC ± -	3 PLC ± -	APP'D G. STEINHÄUER 26 MAR 96	PRODUCT SPEC
4 PLC ± -	ANGLES ± -	APPLICATION SPEC	SIZE CASE CODE DRAWING NO
MATERIAL	FINISH SEE TABLE	WEIGHT	RESTRICTED TO
1		A1 00779 C=213841	SCALE 10:1 SHEET 1 OF 1 REV B2

CUSTOMER DRAWING

Mouser Electronics

Authorized Distributor

Click to View Pricing, Inventory, Delivery & Lifecycle Information:

[TE Connectivity:](#)

[213841-8](#)