

THE INFORMATION CONTAINED HEREIN IS CONSIDERED "PROPRIETARY" TO BEL FUSE INC. AND SHALL NOT BE COPIED, REPRODUCED OR DISCLOSED WITHOUT THE WRITTEN APPROVAL OF BEL FUSE INC.

LED POLARITY			
PIN 12	PIN 11	PIN 10	COLOR
-	+	-	GREEN
-	+	-	ORANGE

**ELECTRICAL CHARACTERISTICS @ 25°C**

**TURNS RATIO**

- TP1 1CT : 1CT ±2%
- TP2 1CT : 1CT ±2%
- TP3 1CT : 1CT ±2%
- TP4 1CT : 1CT ±2%

DCL @ 100kHz/100mVRMS

8mA DC BIAS

INS. LOSS

0.1MHZ TO 1MHZ

1MHZ TO 65MHZ

65MHZ TO 100MHZ

100MHZ TO 125MHZ

RET. LOSS (MIN)

0.5MHZ-40MHZ

40MHZ-100MHZ

CM TO CM REJ

100kHz - 100MHZ

CM TO DM REJ

100kHz - 100MHZ

HIPOT (Isolation Voltage):

LED

VF (FORWARD VOLTAGE)

IF=20mA

λD (DOMINANT WAVELENGTH)

IF=20mA

NOTES:

SCHEMATIC & ELECTRICAL CHARACTERISTICS ARE IDENTICAL FOR PORT 1 & PORT 2.

ORIGINATED BY

CHUNG

DRAWN BY

DE

DATE

04-25-06

DATE

04-25-06

TITLE

2X1 gigabit MagJack®

(with LED)

PART NO. / DRAWING NO.

0843-2BIT-33

FILE NAME

08432BIT33I.DWG

STANDARD DIM.

TOL IN INCH

.X

.XX

.XXX

[ ] METRIC DIM. AS REFERENCE

UNIT : INCH [mm]

REV. : I

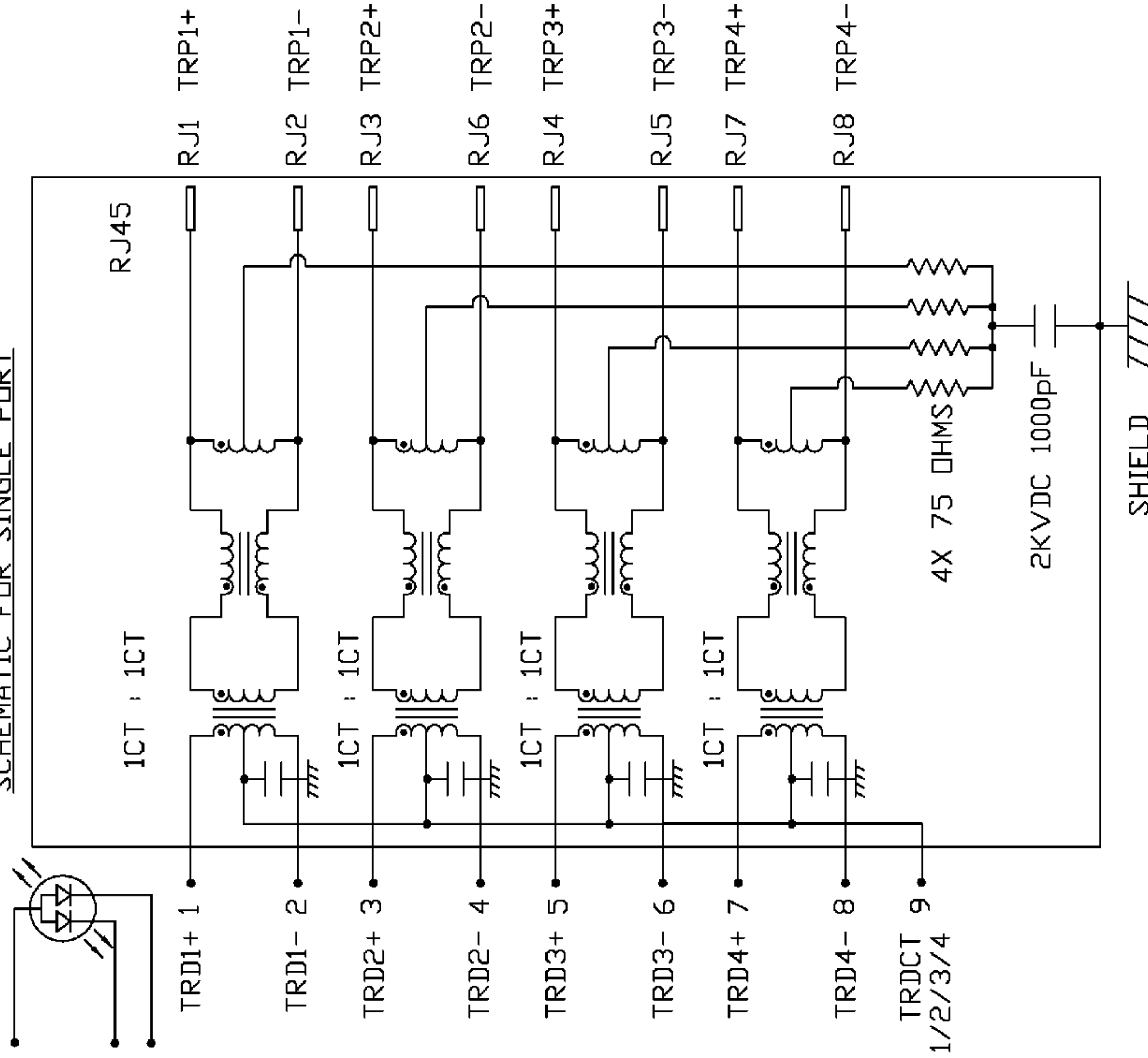
SCALE : N/A

SIZE : A4

PAGE : 2



**SCHEMATIC FOR SINGLE PORT**



LED

11

GREEN 12

ORANGE 10

TRD1+ 1

TRD1- 2

TRD2+ 3

TRD2- 4

TRD3+ 5

TRD3- 6

TRD4+ 7

TRD4- 8

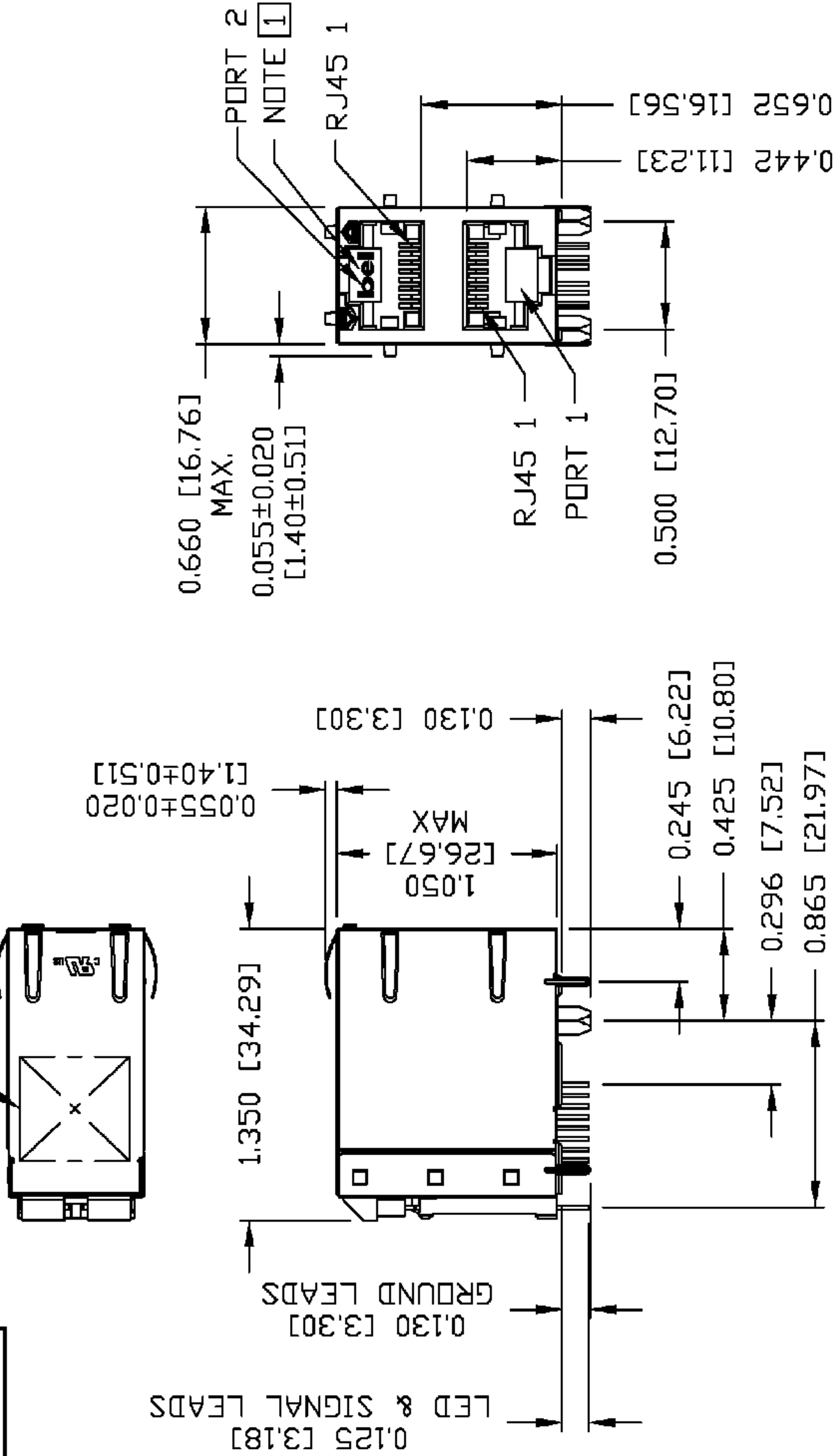
TRDCT 9  
1/2/3/4

4X 75 OHMS

2KVDC 1000pF

SHIELD

THE INFORMATION CONTAINED HEREIN IS CONSIDERED "PROPRIETARY" TO BEL FUSE INC. AND SHALL NOT BE COPIED, REPRODUCED OR DISCLOSED WITHOUT THE WRITTEN APPROVAL OF BEL FUSE INC.



**NOTES:**

- PLASTIC HOUSING: THERMOPLASTIC PBT
  - FLAMMABILITY RATING UL 94V-0
  - CONTACT PLATING: 50 MICRO-INCH HARD GOLD PLATING
  - OUTPUT PINS: TIN-COATED COPPER WIRE, DIA 0.018 INCH.
  - SOLDERABILITY: PER MIL STD. 202, METHOD 208.
  - METAL SHIELD: NICKEL OR TIN PLATED COPPER ALLOY.
  - (ALL NICKEL PLATED GROUND LEADS ARE SOLDER DIPPED)
- [1] JACK CAVITY CONFORMS TO FCC RULES AND REGULATIONS.
- [2] MARK PART WITH MFG LOGO, MFG NAME, PART NUMBER, AND DATE CODE.

**us** UL RECOGNIZED - FILE #E196366 AND E169987.

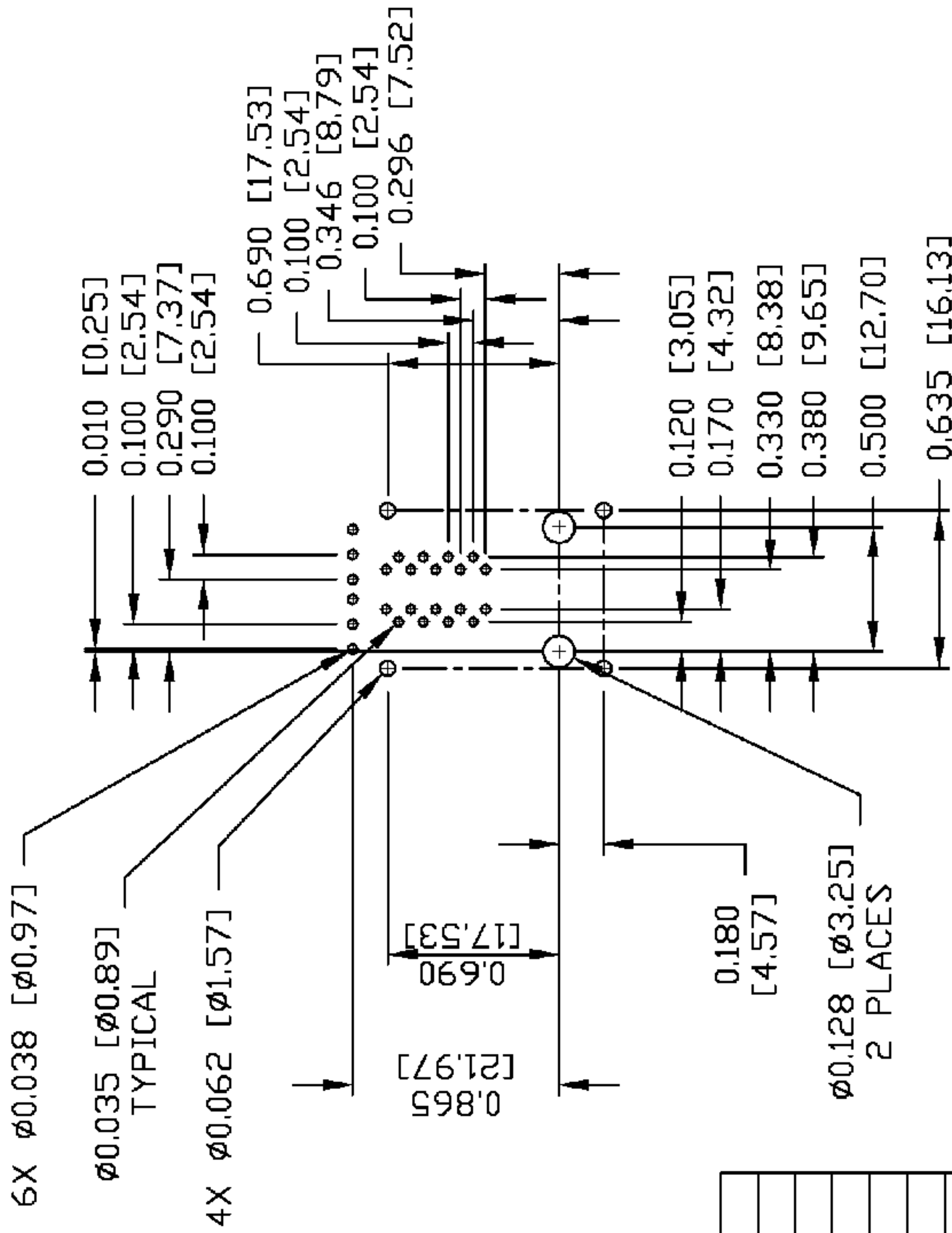
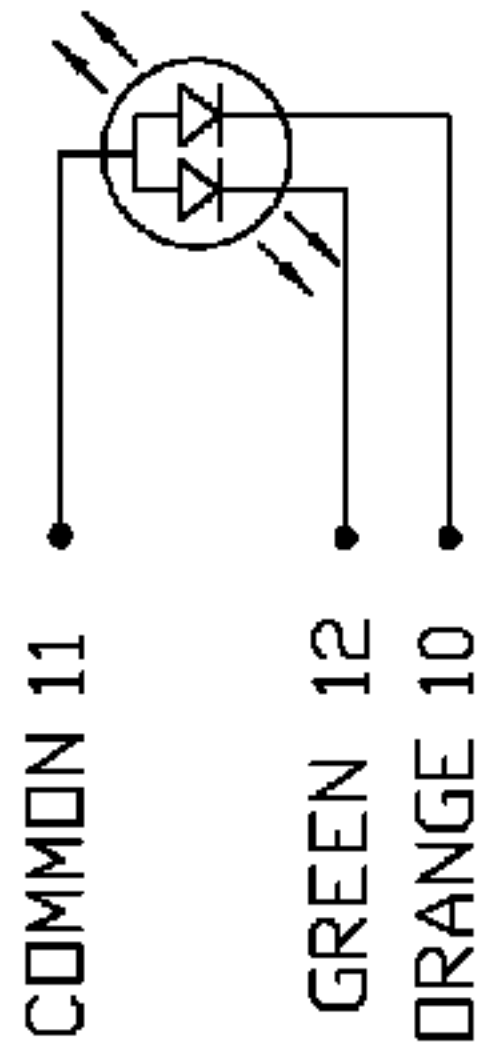
ORIGINATED BY ANTON/BILL	DATE 04-25-06	TITLE 2X1 gigabit MagJack® (with LED)	PART NO. / DRAWING NO. 0843-2BIT-33	STANDARD DIM.		[ ] METRIC DIM. AS REFERENCE
	DATE 04-25-06			TOL. IN INCH	UNIT : INCH [mm]	
DRAWN BY XIU		FILE NAME 08432BIT33I.DWG		.X	SCALE : N/A	SIZE : A4
				.XX		PAGE : 3
				.XXX		

This document is electronically generated. This is a controlled copy if used internally



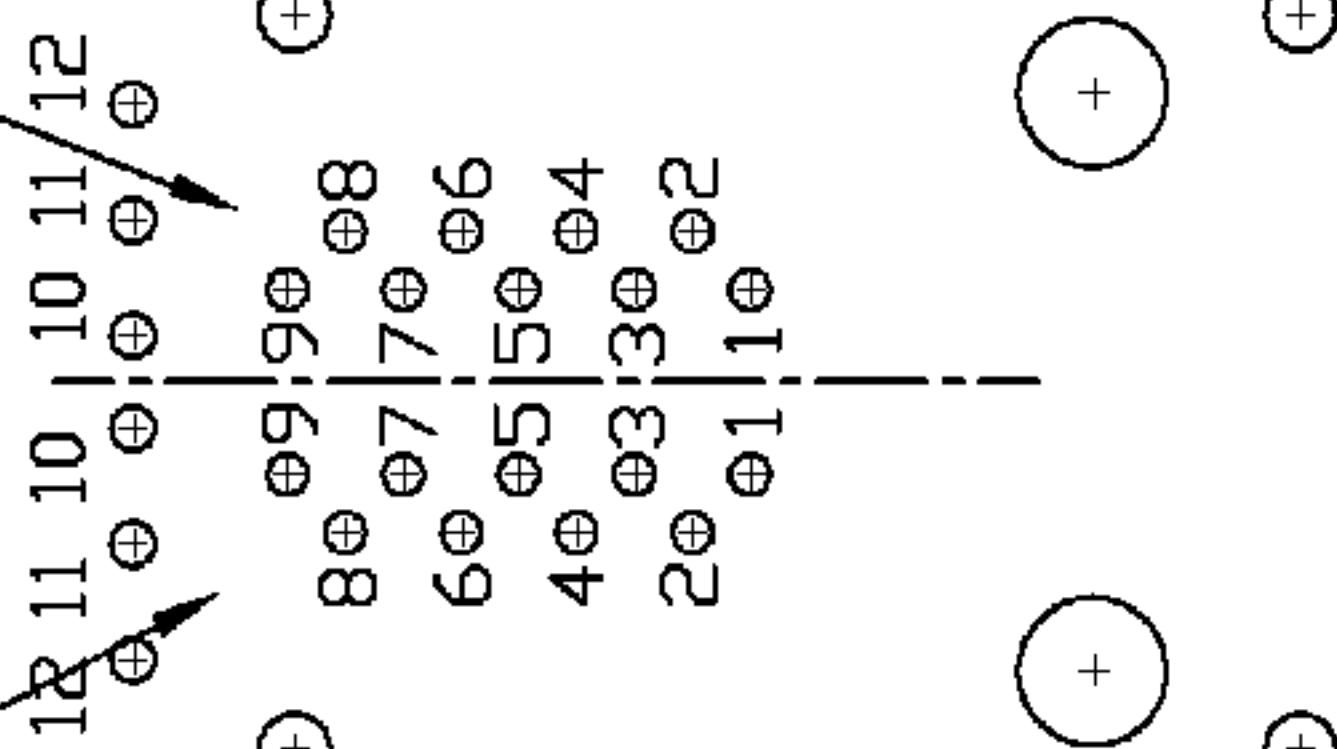
THE INFORMATION CONTAINED HEREIN IS CONSIDERED 'PROPRIETARY' TO BEL FUSE INC. AND SHALL NOT BE COPIED, REPRODUCED OR DISCLOSED WITHOUT THE WRITTEN APPROVAL OF BEL FUSE INC.

LED CONFIGURATION



SUGGESTED FOOTPRINT  
(COMPONENT SIDE VIEW)

PORT 1      PORT 2



1	TRD 1+
2	TRD 1-
3	TRD 2+
4	TRD 2-
5	TRD 3+
6	TRD 3-
7	TRD 4+
8	TRD 4-
9	TRCT 1/2/3/4
10	ORANGE LED CATHODE
11	COMMON ANODE
12	GREEN LED CATHODE

PIN-OUT INFORMATION

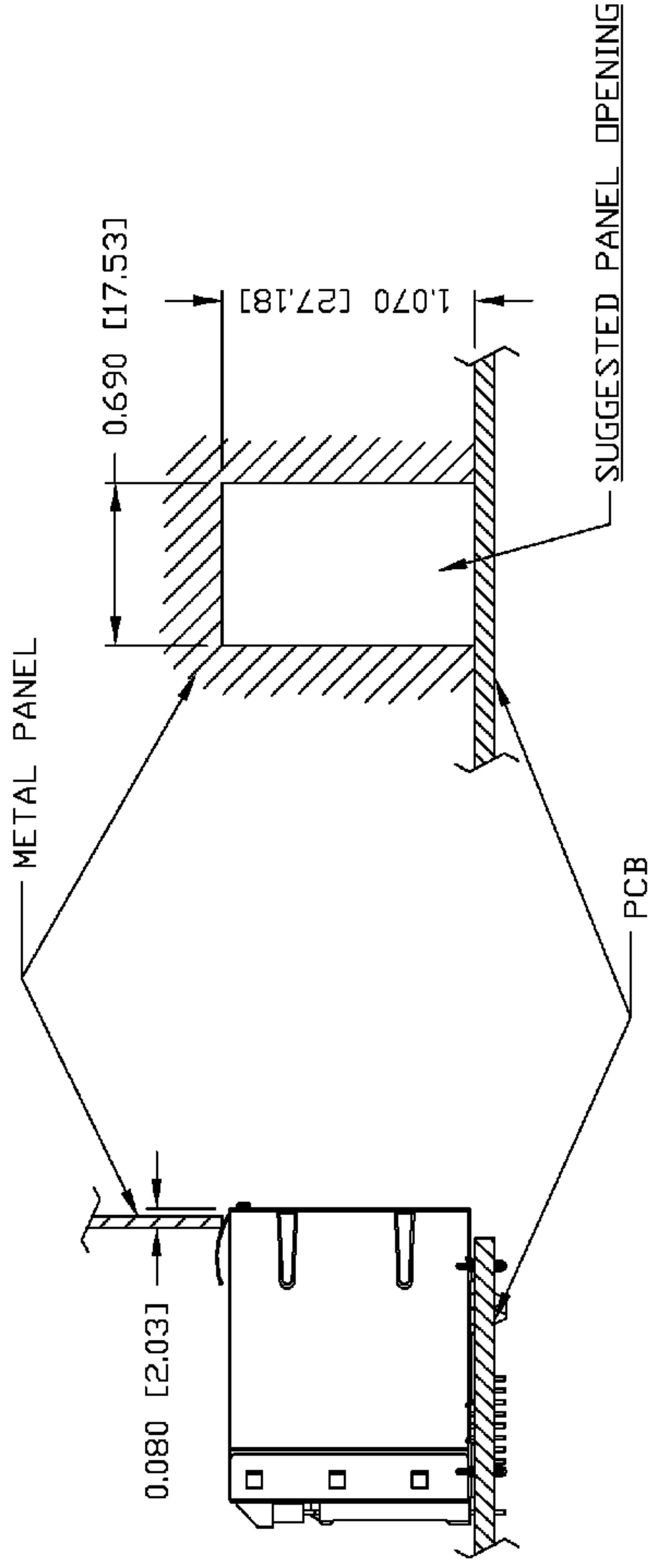
(COMPONENT SIDE VIEW)

<b>ORIGINATED BY</b> ANTON/BILL	<b>DATE</b> 04-25-06	<b>TITLE</b> 2X1 gigabit MagJack® (with LED)	<b>PART NO. / DRAWING NO.</b> 0843-2BIT-33	<b>STANDARD DIM.</b> TOL. IN INCH .X .XX .XXX ±0.004	[ ] METRIC DIM. AS REFERENCE UNIT : INCH [mm] SCALE : N/A	<b>REV. :</b> I <b>SIZE :</b> A4 <b>PAGE :</b> 4
<b>DRAWN BY</b> XIU	<b>DATE</b> 04-25-06		<b>FILE NAME</b> 08432BIT33I.DWG			



THE INFORMATION CONTAINED HEREIN IS CONSIDERED "PROPRIETARY" TO BEL FUSE INC. AND SHALL NOT BE COPIED, REPRODUCED OR DISCLOSED WITHOUT THE WRITTEN APPROVAL OF BEL FUSE INC.

SUGGESTED PANEL OPENING



NOTE:

THE DISTANCE OF PANEL INSIDE SURFACE RELATIVE TO FRONT SURFACE OF PART IS ONLY A SUGGESTION. IN CASE THIS DISTANCE IS DIFFERENT, THE REQUIRED PANEL OPENING DIMENSIONS CHANGE ACCORDINGLY.

PACKING INFORMATION

PACKING TRAY: 0200-0148-36 (TOP)  
0200-0148-34 (BOTTOM)

PACKING QUANTITY: 40 PCS FINISHED GOODS PER TRAY  
6 TRAYS (240 PCS FINISHED GOODS) PER CARTON BOX.

NOTE: CARDBOARD ARE PLACED BETWEEN LAYERS OF PACKING TRAY INSIDE CARTON BOX.  
(INCLUDE THE UPPERMOST AND LOWEREST TRAY)

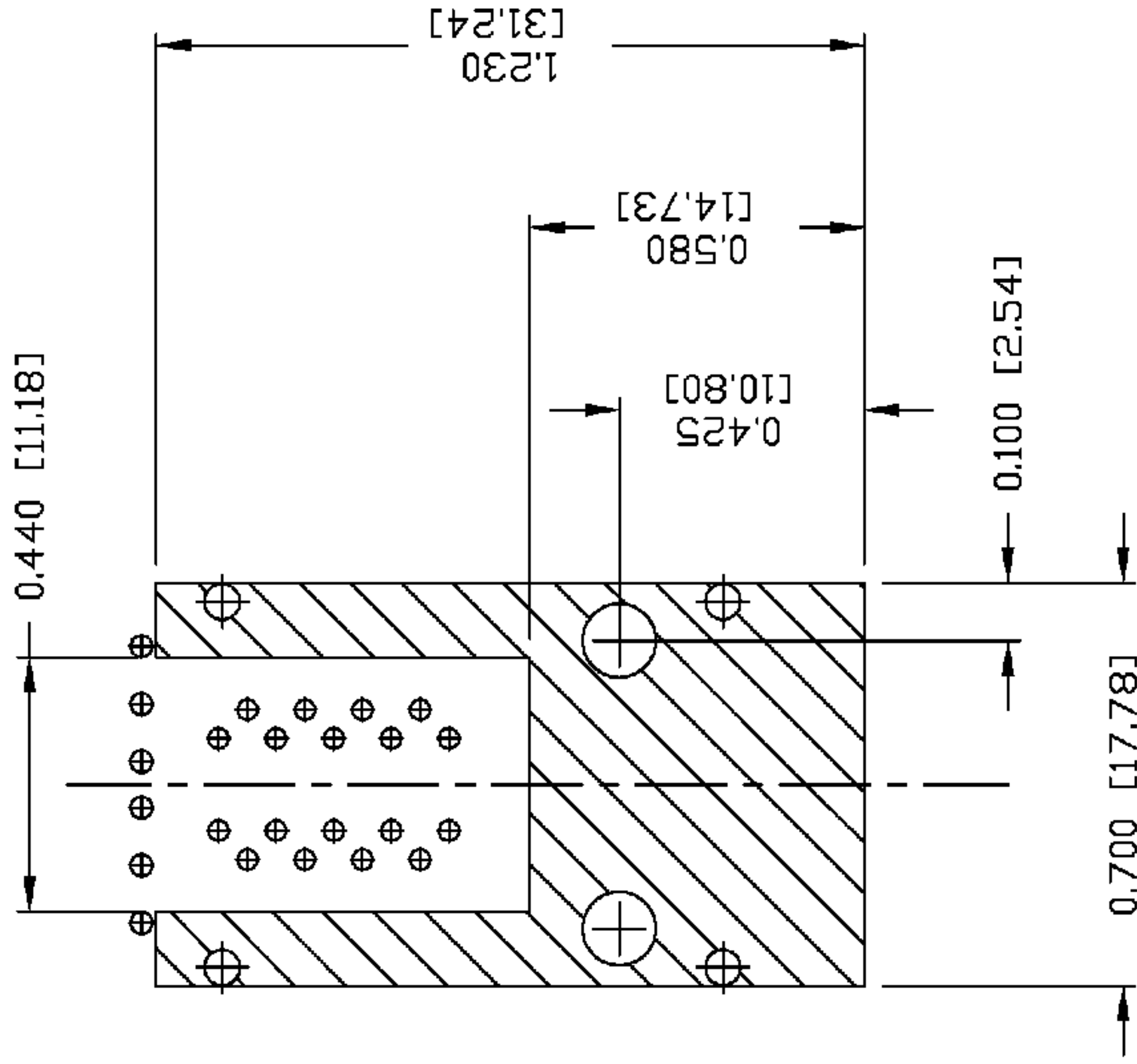
ORIGINATED BY ANTON/BILL	DATE	04-25-06	PART NO. / DRAWING NO. 0843-2B1T-33	STANDARD DIM.	[ ] METRIC DIM. AS REFERENCE		
	DRAWN BY XIU	DATE		04-25-06	TOL. IN INCH	UNIT : INCH [mm]	REV. : I
			FILE NAME	.X	SCALE : N/A	SIZE : A4	
			08432B1T33I.DWG	.XX		PAGE : 5	
				.XXX			



This document is electronically generated. This is a controlled copy if used internally

DC002(2)032305

THE INFORMATION CONTAINED HEREIN IS CONSIDERED 'PROPRIETARY' TO BEL FUSE INC. AND SHALL NOT BE COPIED, REPRODUCED OR DISCLOSED WITHOUT THE WRITTEN APPROVAL OF BEL FUSE INC.



**NOTES:**

THE SHADED AREA ON THE CUSTOMER BOARD ARE RECOMMENDED TO BE CLEAR OFF ANY VIA HOLE OR COMPONENT PAD.

<b>ORIGINATED BY</b> ANTON/BILL  <b>DRAWN BY</b> XIU	<b>DATE</b> 04-25-06	<b>TITLE</b> 2X1 gigabit MagJack® < with LED>	<b>PART NO. / DRAWING NO.</b> 0843-2BIT-33  <b>FILE NAME</b> 08432BIT33I.DWG	<b>STANDARD DIM.</b> TOL. IN INCH .X .XX .XXX ±0.004		<b>[ ] METRIC DIM. AS REFERENCE</b> UNIT : INCH [mm] SCALE : N/A 	
	<b>DATE</b> 04-25-06			<b>REV. :</b> I  <b>SIZE :</b> A4  <b>PAGE :</b> 6			



This document is electronically generated. This is a controlled copy if used internally