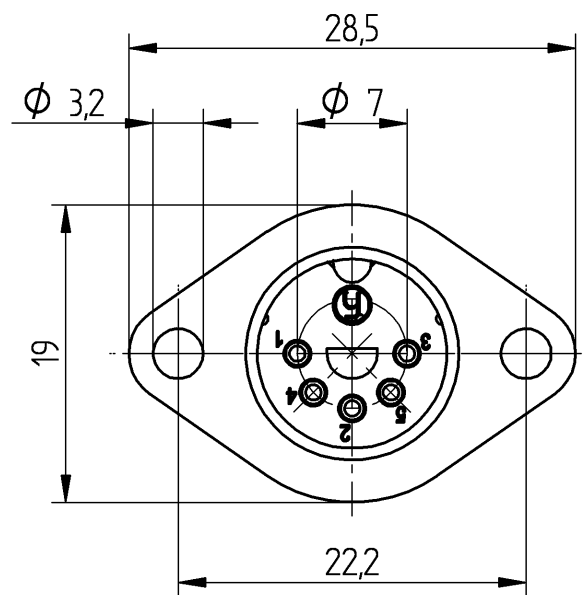
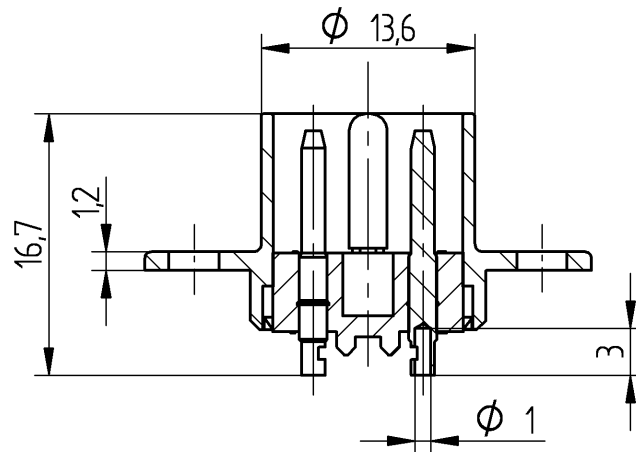
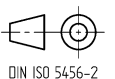


RoHS ✓



The information/details in this datasheet merely contain general descriptions or performance factors which, when applied in an actual situation, do not always correspond with the described form, and may be amended by way of the further development of products. The desired performance factors shall only be binding if these are expressly agreed on conclusion of the contract.



Product description

Description	panel-mounted plug
Type	MASEI 5 S
Order No	930-934-500
Type of contacts	male
Number of contacts	5
Standard	DIN EN 60 130-9, Pin arrangement: DIN 41524
Color housing	silver

Technical data

Rated voltage	34V AC/DC
Rated current *	4A
Pollution degree	3 acc. to DIN EN 60664-1 (VDE 0110-1)
Type of connection	solder

* Notice derating

Materials

Contact	CuZn
Contact plating	Cu/Sn
Contact bearer	PA 66

Environmental conditions

Protection class (IEC 60529) *	IP30
Temperature range	-20°C to +60°C, notice Derating

* only if mounted and locked in combination with Hirschmann / Lumberg connector.

Flammability class

Contact bearer	UL 94 V-2
----------------	-----------

Notes

Do not connect or disconnect under load.

product overview

Article-No.	Type
930-934-500	MASEI 5 S