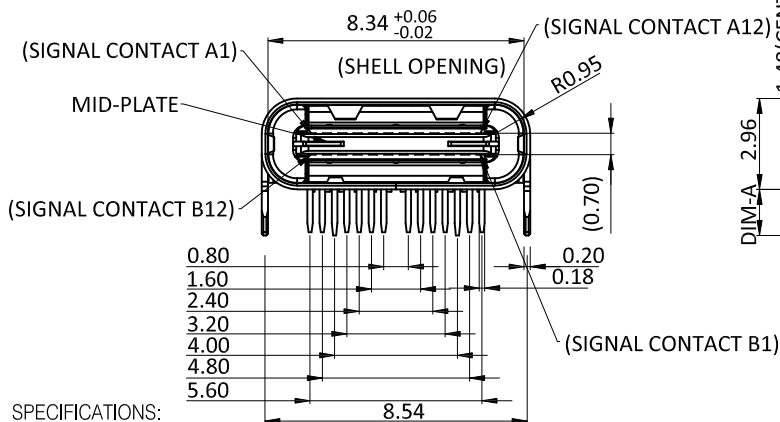
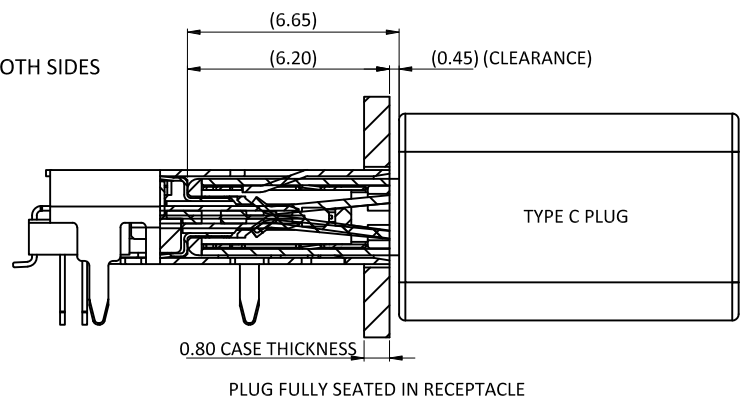
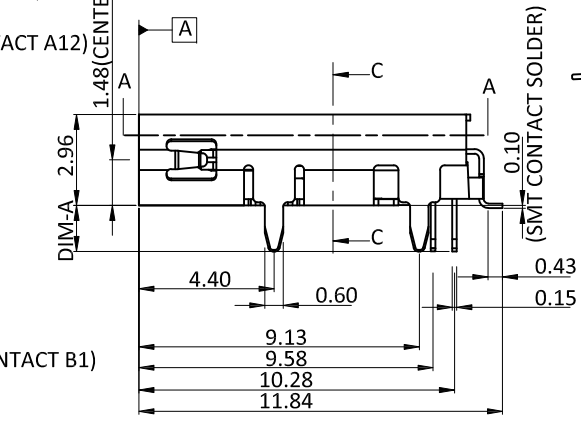
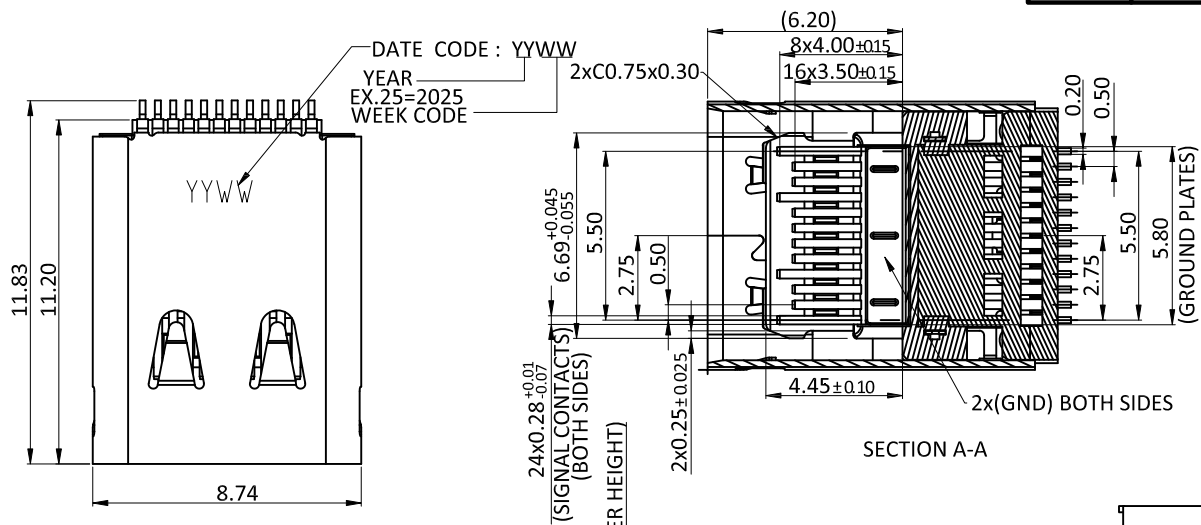


APPROVED: _____

DATE: _____ TITLE: _____

Rev	AWO #	Description	Date	Appr
-		RELEASED	1/22/21	
A		UPDATE TITLE	6/27/24	WX/RC
B		UPDATE DRAWING	10/30/25	LH/AC1



ADAM P/N	DIM.A	PCB THICKNESS
USB-C32-S-RA-CS27A-BK-30-A-T/R	1.50	1.0±0.05
USB-C32-S-RA-CS27A-BK-30-B-T/R	1.90	1.6±0.05

SPECIFICATIONS:

Material:
 Insulator: (LCP) Hi-Temp Thermoplastic, rated UL 94V-0
 Insulator color: Black
 Contacts: Brass
 Shell: Nickel Plated
 Plating:
 30u" Palladium Gold over Nickel underplate on contact area,
 Tin over Nickel underplate on solder tails
 Electrical:
 Voltage rating: 20 V
 Current rating: 5 Amps max
 Insulation resistance: 100 Mohms min @100 VDC
 Dielectric withstanding voltage: 100 VAC for 1 Minute
 Temperature Rating:
 -40°C to +105°C

Environmental:
 Lead free, RoHS compliant.



PACKAGED ON TAPE & REEL

UNLESS OTHERWISE SPECIFIED ALL DIMENSIONS ARE MILLIMETERS. TOLERANCES: EXCEPT AS NOTED		
X	± 0.50	
MM .X	± 0.30	ANGLE ± 5°
.XX	± 0.20	
DRAWN	LH	1/22/21
CHECKED	RC	1/22/21
APPROVED		
CONFIDENTIAL AND PROPRIETARY <small>© Adam Tech. All rights reserved. This document contains confidential and proprietary information belonging to Adam Tech. It is provided solely for design and reference purposes by authorized parties. Any reproduction, distribution, display, or disclosure to third parties, in whole or in part, without the prior written consent of Adam Tech, is strictly prohibited. Adam Tech retains all rights, including copyright, trademark, trade secret, and all other intellectual property rights worldwide.</small>		

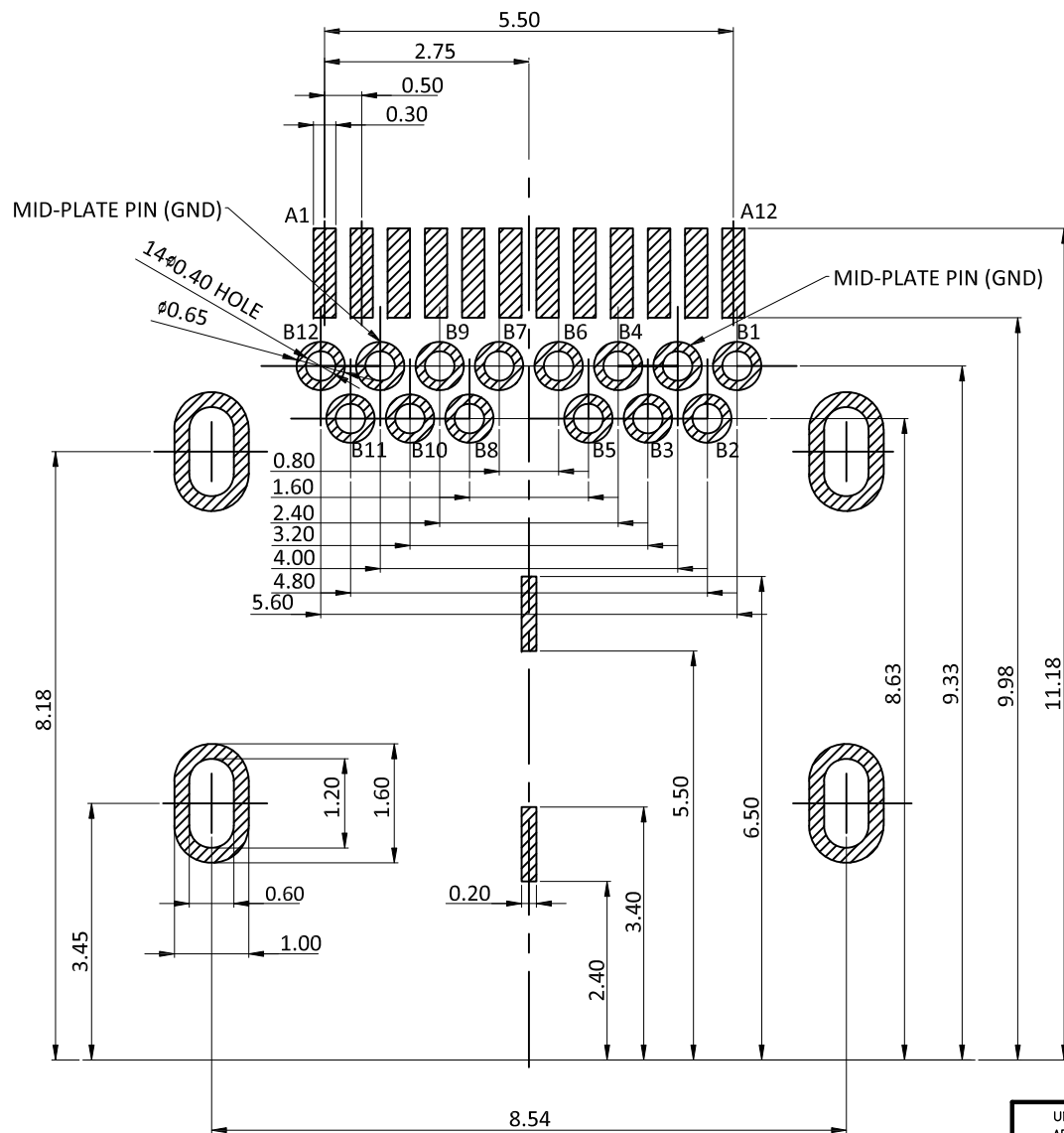
909 Rahway Avenue,
 Union, NJ 07083
 Phone: 908-687-5000
 adam-tech.com

TITLE: UNIVERSAL SERIAL BUS, TYPE C, FEMALE, TRANSMISSION EFFICIENCY: Gen2 10Gbps RIGHT ANGLE, BLACK INSULATOR		REV. C
SIZE X	PART NO. USB-C32-S-RA-CS27A-BK-30-X-T/R	
REF: S00013T	SCALE: NTS	SHEET 1 OF 2

APPROVED: _____

DATE: _____ TITLE: _____

Rev	AWO #	Description	Date	Appr
SEE SHT 1 OF 2 FOR REVISION				



USB TYPE -C PIN ASSIGNMENTS

PIN NUMBER	SIGNAL NAME	PIN NUMBER	SIGNAL NAME
A1	GND	B12	GND
A2	SSTXp1	B11	SSRXp1
A3	SSTXn1	B10	SSRXn1
A4	VBUS	B9	VBUS
A5	CC1	B8	SBU2
A6	Dp1	B7	Dn2
A7	Dn1	B6	Dp2
A8	SBU1	B5	CC2
A9	VBUS	B4	VBUS
A10	SSRXn2	B3	SSTXn2
A11	SSRXp2	B2	SSTXp2
A12	GND	B1	GND

RECOMMENDED PCB LAYOUT
 PCB Thickness=1.0 For 1.50 Solder Tail
 PCB Thickness=1.6 For 1.90 Solder Tail

UNLESS OTHERWISE SPECIFIED ALL DIMENSIONS ARE MILLIMETERS. TOLERANCES: EXCEPT AS NOTED

X	± 0.50	
MM .X	± 0.30	ANGLE ± 5°
.XX	± 0.20	

DRAWN	LH	1/22/21
CHECKED	RC	1/22/21
APPROVED		

ADAM TECH 909 Rahway Avenue,
 Union, NJ 07083
 Phone: 908-687-5000
 adam-tech.com

TITLE: UNIVERSAL SERIAL BUS, TYPE C, FEMALE,
 TRANSMISSION EFFICIENCY: Gen2 10Gbps
 RIGHT ANGLE, BLACK INSULATOR

SIZE	PART NO.	REV.
X	USB-C32-S-RA-CS27A-BK-30-X-T/R	C

REF: S00013T SCALE: NTS SHEET 2 OF 2

CONFIDENTIAL AND PROPRIETARY
 © Adam Tech. All rights reserved. This document contains confidential and proprietary information belonging to Adam Tech. It is provided solely for design and reference purposes by authorized parties. Any reproduction, distribution, display, or disclosure to third parties, in whole or in part, without the prior written consent of Adam Tech, is strictly prohibited. Adam Tech retains all rights, including copyright, trademark, trade secret, and all other intellectual property rights worldwide.