

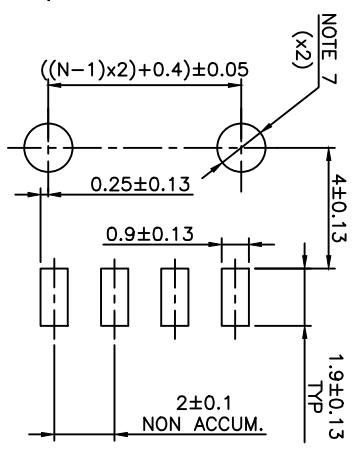
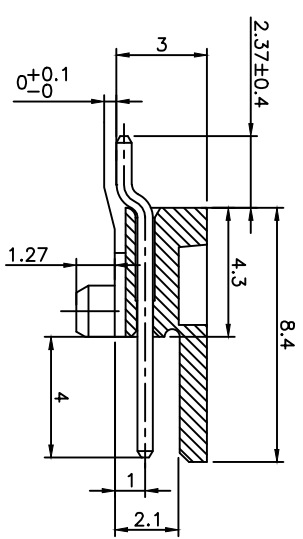
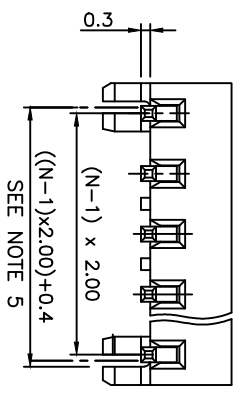
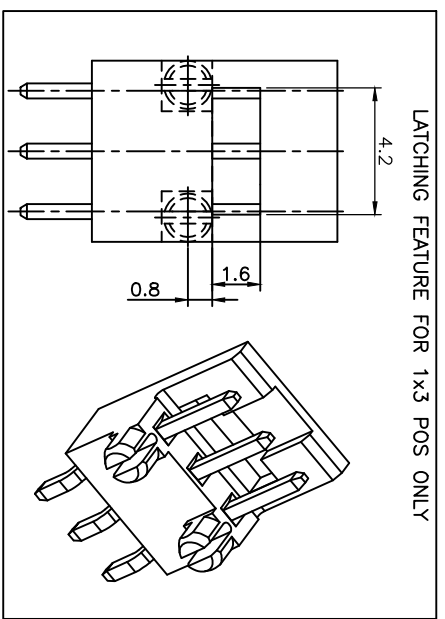
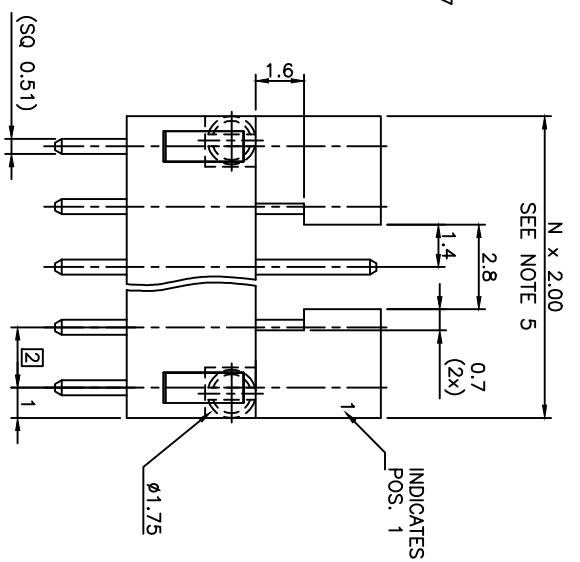
PRODUCT NUMBER  
95000-XXXXLF

ROHS COMPATIBLE, SEE NOTE 6  
PACKAGING TYPE, NOTE 3  
TOTAL NB OF POSITIONS, 3 TO 17

- PLATING
- 0 = 0.20µm GOLD/GXT ON CONTACT AREA
  - 2.0µm MIN MATTE TIN ON TAILS
  - 1 = 0.76µm GOLD/GXT ON CONTACT AREA
  - 2.0µm MIN MATTE TIN ON TAILS
  - 3 = 0.38µm GOLD/GXT ON CONTACT AREA
  - 2.0µm MIN MATTE TIN ON TAILS
  - T = FULL MATTE TIN 2µm-5µm
  - 1.27µm NI: MIN UNDERPLATING

NOTES:

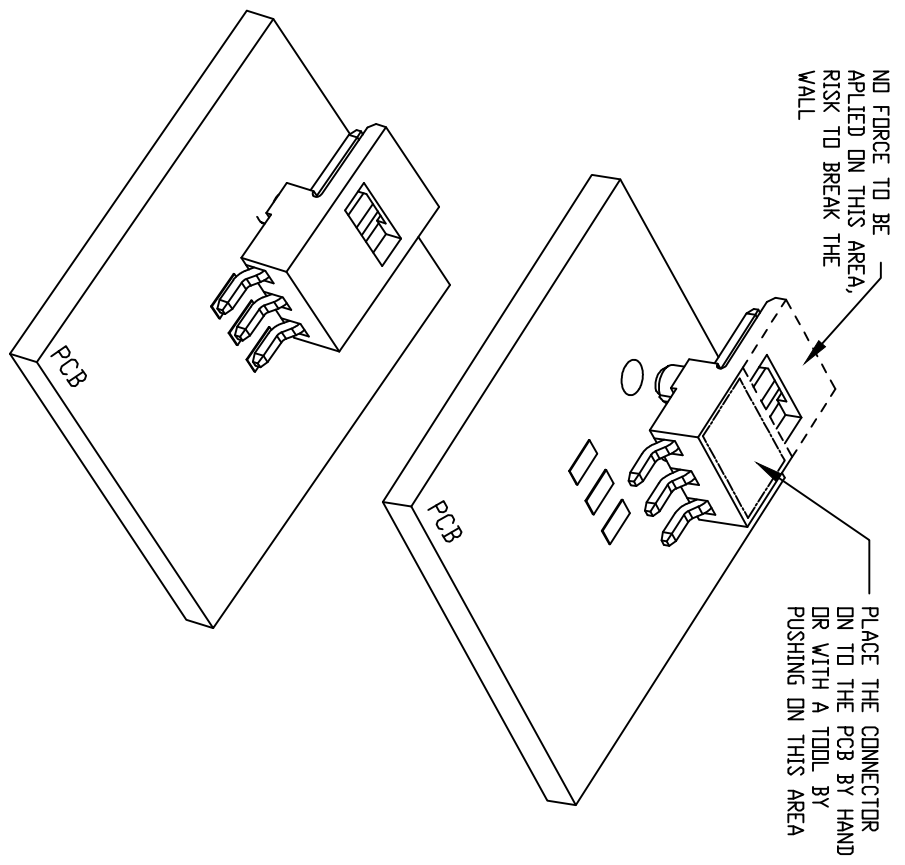
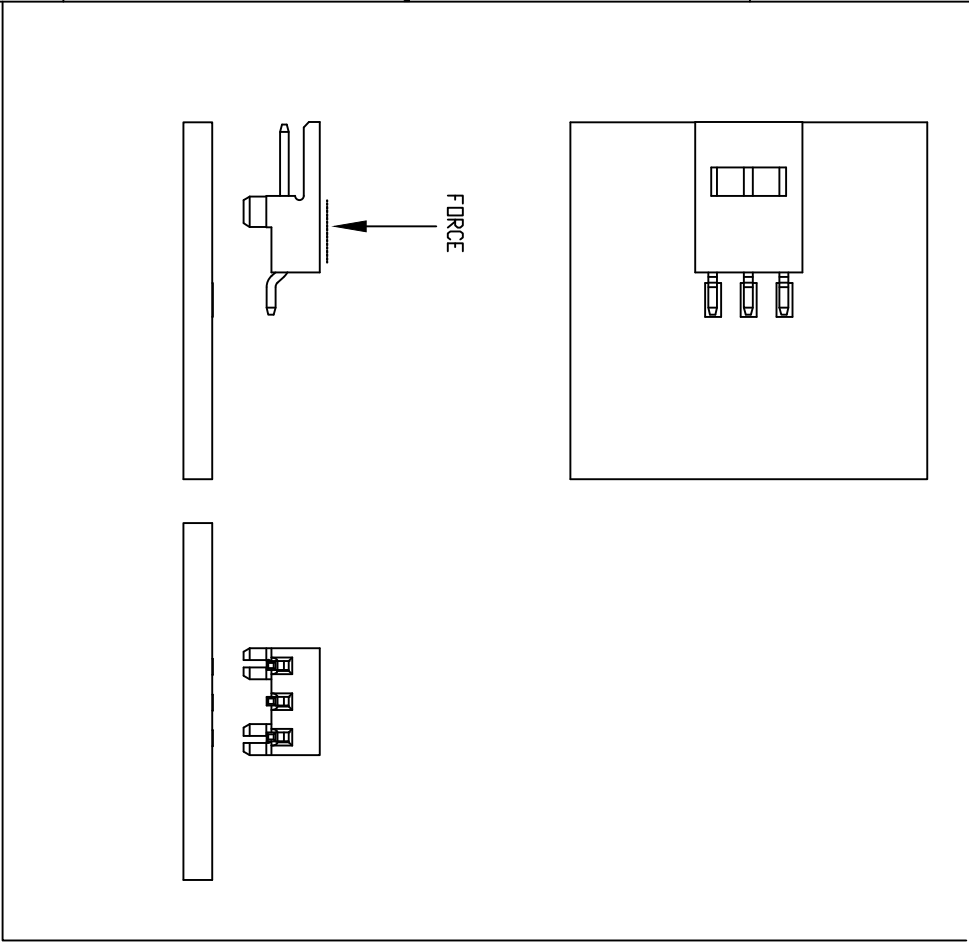
- 1 - HOUSING MAT'L: HIGH TEMPERATURE THERMOPLASTIC. UL94V-0 COLOR: CREAM
- 2 - PIN MATERIAL: COPPER ALLOY
- 3 - PACKAGING: POLY BAGS  
T = TUBE, FROM 04 POS UP TO 17 POS  
TR = TAPE & REEL AS AVAILABLE.
- 4 - 7N MIN RETENTION IN EITHER DIRECTION
- 5 - TO DETERMINE DIMENSIONS: N = NUMBER OF POSITIONS
- 6 - ROHS COMPATIBLE PRODUCT SPECIFICATIONS
- 7 - HOLE DIMENSION TO BE  $\phi 1.60 \pm 0.07$  FOR INTERFERENCE FIT APPLICATIONS. SEE SHEET 2. HOLE DIMENSION TO BE  $\phi 1.95 \pm 0.07$  FOR NON INTERFERENCE FIT (LOCALONAL) APPLICATIONS



RECOMMENDED PAD LAYOUT

mat'l. code	surface	tolerance	projection	product family
lfr ecn no	lfr date	ISO 1302	ISO 406 ISO 1101	MINITEK
S   B-19986 JCO	15.01.13	tolerances unless otherwise specified	mm	MINITEK SMT HDR SR
T   B-19995 JCO	15.01.15	linear xxx ± 0.13	mm	POLARIZATION & LATCHING
U   F-23052 AMA	16.01.15	xxx ± 0.05	mm	95000
N   B-15804 JCO	13.08.28	J. FABRE 13.01.07	scale 7:1	CUSTOMER Drawing
P   B-16822 JCO	14.01.23	J. FABRE 13.01.07		
R   B-19187 LMU	14.10.24	J.M.C 13.01.07		
Sheet	revision	U	A	
Index	Sheet	1	2	

RECOMMENDATION TO PLACE THE CONNECTOR ONTO THE PCB



FCIconnect.com

Copyright FCI

Form A3

1

2

3

4

5

6

1

2 3

4

5

6

mat'l. code	N/A	surface	ISO 1302	tolerance	ISO 416 ISO 1101	projection	1st angle	product family	MINITEK
lfr	ecm no	dr	date	tolerance unless otherwise specified	.0±.x	mm	scale 1:1	title	MINITEK SMT HDR SR
A	B-19986	JFA	15.01.13	angles	.00±.0x			POLARIZATION & LATCHING	
				linear	.000±.00x			dwg no	95000
				0°±x				sheet of 2	A3
				dr	J.FABRE	15.01.07		type	Product Customer Drawing
				engr	L.MULIN	15.01.07			
				chr	J.COMPAIGNON	15.01.12			
				appd	JCO	15.01.13			
sheet	revision								
index	sheet								