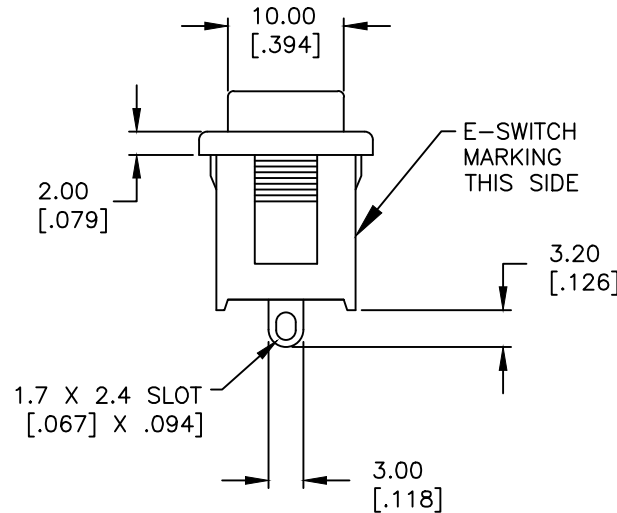
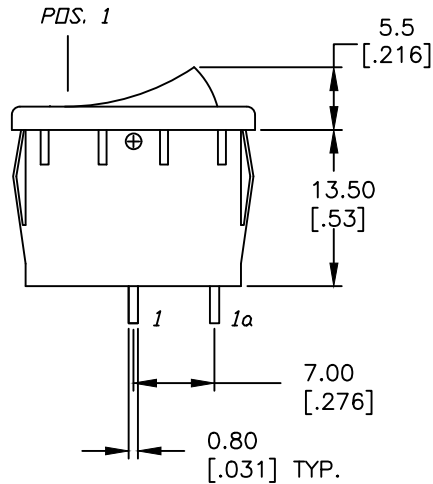
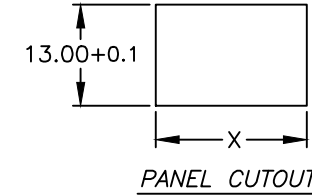
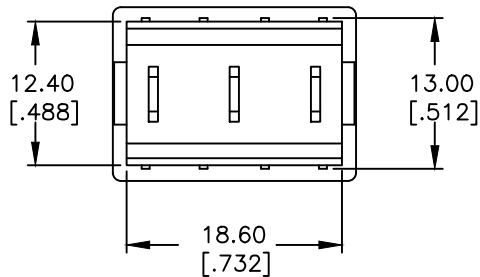
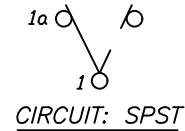


PANEL THICKNESS	X
0.75-1.25 [.030-.049]	19.2 [.756]
1.25-2.0 [.049-.079]	19.4 [.764]
2.0-3.0 [.079-.118]	19.8 [.780]



SWITCH FUNCTION	
POS. 1	POS. 2
ON	OFF
1-1a	OPEN



NOTES:

- ALL DIMENSIONS IN MM [INCH]
- GENERAL TOLERANCE: X.X=±0.4  
X.XX=±0.25
- TERMINAL NUMBERS FOR REF ONLY.
- RATING: 15A @ 125VAC OR 6A @ 250VAC
- MECHANICAL LIFE: 15,000 cycles
- ELECTRICAL LIFE: 10,000 cycles
- INSULATION RESISTANCE: >1000 Mega Ω
- CONTACT RESISTANCE: <20 Mega Ω
- DIELECTRIC STRENGTH: >1500 V 1 minute  
>3000 V between poles



B	23522	correct 13.90 to 13.50	8/14/18	MW
A	11664	RELEASED FOR PRODUCTION	9/19/01	CJB
REV.	ECN No.	DESCRIPTION	DATE	CHKD

THE INFORMATION CONTAINED IN THIS DOCUMENT IS PROPRIETARY TO E-SWITCH AND IS NOT TO BE COPIED OR TRANSFERRED

TITLE R1966ABLKBLKFS				
SCALE 1.5:1	DATE 9/19/01	DR CB	DWG M301207	REV B

# Mouser Electronics

Authorized Distributor

Click to View Pricing, Inventory, Delivery & Lifecycle Information:

[E-Switch:](#)

[R1966ABLKBLKFS](#)