

Standard



Image for illustrative purpose only

Summary

[Request a quote](#)

BKT series

| | |
|------------------------------------|--|
| Number of contacts Low Voltage | 14 |
| Wire Size/AWG | 34 - 28 |
| Gender | Standard |
| Socket / Receptacle | Socket / Receptacle - Fixed Panel Rear Mounted |
| Locking system | Push-pull |
| Panel Drill Hole | M16 |
| Jacket cable outside diameter [mm] | 1.00 - 14.60 mm |
| Size | 1K |
| Suggested matching part | FGG.1K.314.CLAC50 |
| Series | K - Outdoor keyed |

https://www.lemo.com/int_en/solutions/originals/k-outdoor-keyed/heg-1k-314-cllpv.html

LEMO products and services are provided "as is". LEMO makes no warranties or representations with regard to LEMO product & services or use of them, express, implied or statutory, including for accuracy, completeness, or security. The user is fully responsible for his products and applications using LEMO components.

Technical details

Electrical Configuration

| | |
|---------------------------------|-------------------------------|
| Number of contacts Low Voltage | 14 |
| Contact Termination Low voltage | Solder |
| R (max) | 8.7 mOhm |
| Insert configuration value | 1K.314 - 14 Low Voltage |
| Insulator | L: PEEK (UL 94 / V-0/1.5) |
| Rated current | 2 A |
| Vtest (contact-contact) | 1.1 kV (DC) |
| Vtest (contact-shell) | 1.7 kV (DC) |
| Max. Solid Conductor | 0.09 mm ² (AWG 28) |
| Max. Stranded Conductor | 0.09 mm ² (AWG 28) |
| Bucket Dia. | 0.45 mm (0.018in) |
| Contact Dia. | 0.5 mm (0.02in) |
| Wire Size/AWG | 34 - 28 |
| Gender | Standard |

Form & Material

| | |
|------------------------|--|
| Shell style / Model id | HE - Fixed receptacle, nut fixing, watertight or vacuum-tight (back panel mounting) |
| Socket / Receptacle | Fixed Panel Rear Mounted |
| Housing material | Brass (chrome plated [SAE AMS 2460]) shell, collet nut and latch sleeve, nickel plated [SAE AMS QQ N 290] brass mid pieces |
| Locking system | Push-pull |
| Keying | G: 1 key (alpha=0, plug: male contacts, receptacle: female contacts) |
| Colour | Grey |
| Variant | Watertight / Vacuum-tested unmated (connector to device) |
| Weight | 22.54 g |
| Panel Drill Hole | M16 |

https://www.lemo.com/int_en/solutions/originals/k-outdoor-keyed/heg-1k-314-cllpv.html

LEMO products and services are provided "as is". LEMO makes no warranties or representations with regard to LEMO product & services or use of them, express, implied or statutory, including for accuracy, completeness, or security. The user is fully responsible for his products and applications using LEMO components.

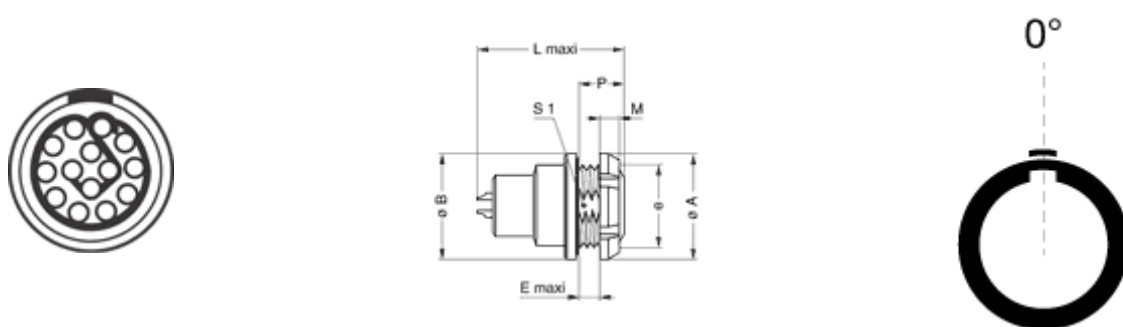
Environment

| | |
|-----------------------------------|---|
| Technical domain | Audio Video, Energy and Industrial, Medical, Test and Measurement |
| Environmental sealing (IP rating) | Hermetic unmated |
| Endurance | 5000 mating cycles |
| Temperature range | -20°C / +100°C |
| Climatic Category | 20/80/21 |
| Humidity (max) | <=95% [at 60 deg C /140 F] |
| Shielding (min) | 95 dB (10 MHz) |
| Shielding (min) | 80 dB (1 GHz) |
| Shock Resistance | 100 g [6 ms] |
| Vibration | 15 g [10 Hz - 2000 Hz] |
| Pressure | 60 bars |
| R leak (He) (max) | 10 ⁻⁷ mbar·l/s (if vacuum-tested) |
| Salt Spray Corrosion | >1000 hr |

Cable fixation

| | |
|------------------------------------|-----------------|
| Jacket cable outside diameter [mm] | 1.00 - 14.60 mm |
|------------------------------------|-----------------|

Drawings



Dimensions

| | A | E | L | M | P | S1 | B | e |
|-----|----------|----------|----------|----------|----------|-----------|----------|----------|
| mm. | 20 | 6.2 | 30.6 | 3.5 | 10 | 14.5 | 20 | M16x1.0 |
| in. | 0.79 | 0.24 | 1.2 | 0.14 | 0.39 | 0.57 | 0.79 | |

https://www.lemo.com/int_en/solutions/originals/k-outdoor-keyed/heg-1k-314-cllpv.html

LEMO products and services are provided "as is". LEMO makes no warranties or representations with regard to LEMO product & services or use of them, express, implied or statutory, including for accuracy, completeness, or security. The user is fully responsible for his products and applications using LEMO components.

Recommended By Lemo

Accessories




Compatible cap [BRE.1K.200.NAS](#)

Tools

Spanner 2 [DCM.65.176.AZ6](#)

Spanner wrench [Socket for torque wrench DCM.1E.M16.6](#)

Cables

| Cable PartNumber | Material | Colour | Cable image |
|--------------------|---------------|--------|---|
| CMN.14.T28.056PGZE | | grey |  |
| CMN.14.T28.056PNZE | | |  |
| CMN.14.T28.056QGZE | TPR (medical) | Grey |  |

https://www.lemo.com/int_en/solutions/originals/k-outdoor-keyed/heg-1k-314-cllpv.html

LEMO products and services are provided "as is". LEMO makes no warranties or representations with regard to LEMO product & services or use of them, express, implied or statutory, including for accuracy, completeness, or security. The user is fully responsible for his products and applications using LEMO components.