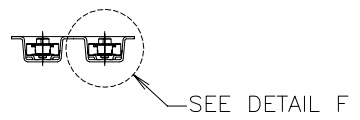
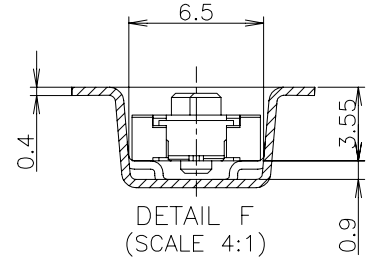
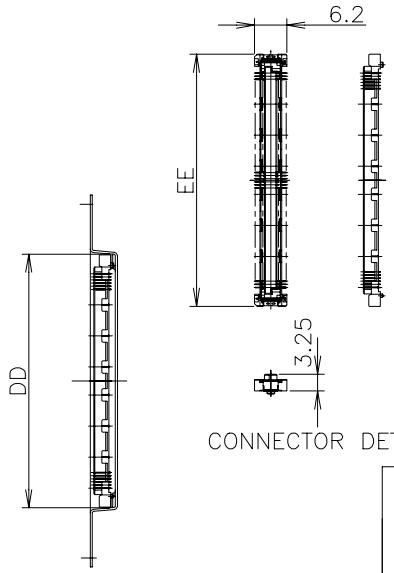
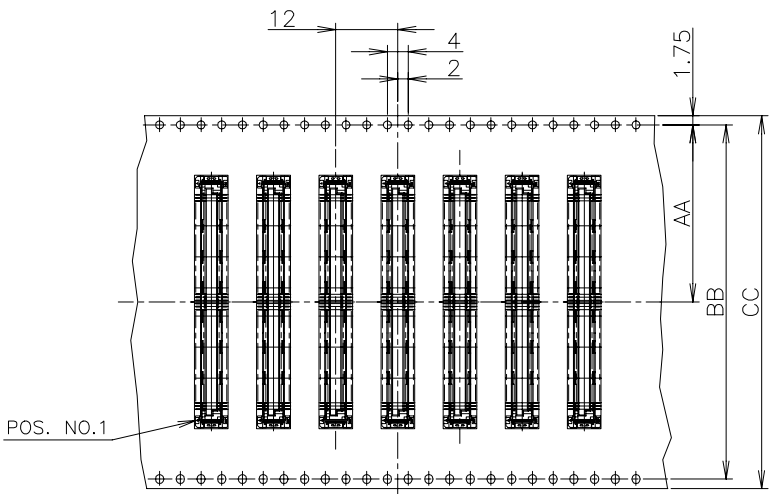


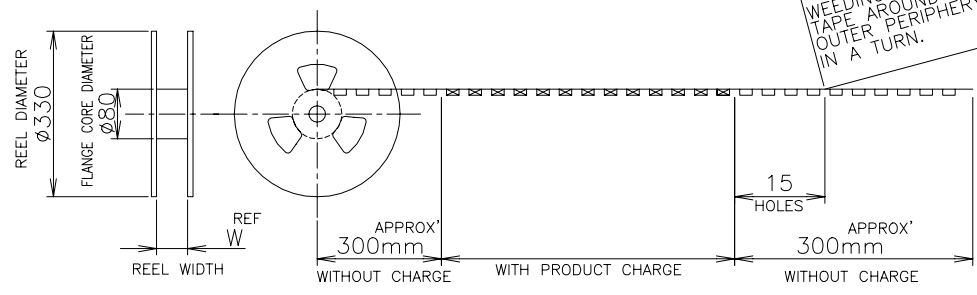
REVISIONS

P	LTR	DESCRIPTION	DATE	DWN	APVD
F		ECO-20-017853: G-CONTACT TAIL GOLD FLASH	18DEC2020	A.L	H.L

DIRECTION OFF TOP OF REEL



WEEDING THE COVER TAPE AROUND THE OUTER PERIPHERY IN A TURN.



SEALANT	QTY.	FINISH	W	EE	DD	CC	BB	AA	POS.	PART NO.
NOT AVAILABLE	1000	△	77.5	54.7	55	72	68.4	34.2	160	6-5353190-1
AVAILABLE	↑	△	77.5	48.7	49	72	68.4	34.2	140	6-↑-0
NOT AVAILABLE			61.5	42.7	43	56	52.4	26.2	120	5-↑-9
AVAILABLE			61.5	36.7	37	56	52.4	26.2	100	5-↑-8
NOT AVAILABLE			61.5	33.7	34	56	52.4	26.2	90	5-↑-7
NOT AVAILABLE			49.5	30.7	31	44	40.4	20.2	80	5-↑-6
NOT AVAILABLE			49.5	27.7	28	44	40.4	20.2	70	5-↑-5
NOT AVAILABLE			49.5	24.7	25	44	40.4	20.2	60	5-↑-4
NOT AVAILABLE			37.5	21.7	22	32	28.4	14.2	50	5-↑-3
NOT AVAILABLE			37.5	18.7	19	32	28.4	14.2	40	5-↑-2
NOT AVAILABLE	1000	△	29.5	15.7	16	24	↑	11.5	30	5-5353190-1
AVAILABLE	1000	△	77.5	48.7	49	72	68.4	34.2	140	4-5353190-0
AVAILABLE	↑	△	61.5	36.7	37	56	52.4	26.2	100	3-↑-8
NOT AVAILABLE		△	77.5	54.7	55	72	68.4	34.2	160	1-↑-1
AVAILABLE		↑	77.5	48.7	49	72	68.4	34.2	140	1-↑-0
NOT AVAILABLE			61.5	42.7	43	56	52.4	26.2	120	↑-9
AVAILABLE			61.5	36.7	37	56	52.4	26.2	100	↑-8
NOT AVAILABLE			61.5	33.7	34	56	52.4	26.2	90	↑-7
NOT AVAILABLE			49.5	30.7	31	44	40.4	20.2	80	↑-6
NOT AVAILABLE			49.5	27.7	28	44	40.4	20.2	70	↑-5
NOT AVAILABLE			49.5	24.7	25	44	40.4	20.2	60	↑-4
NOT AVAILABLE			37.5	21.7	22	32	28.4	14.2	50	↑-3
NOT AVAILABLE			37.5	18.7	19	32	28.4	14.2	40	↑-2
NOT AVAILABLE	1000	△	29.5	15.7	16	24	↑	11.5	30	5353190-1

THIS DRAWING IS A CONTROLLED DOCUMENT.

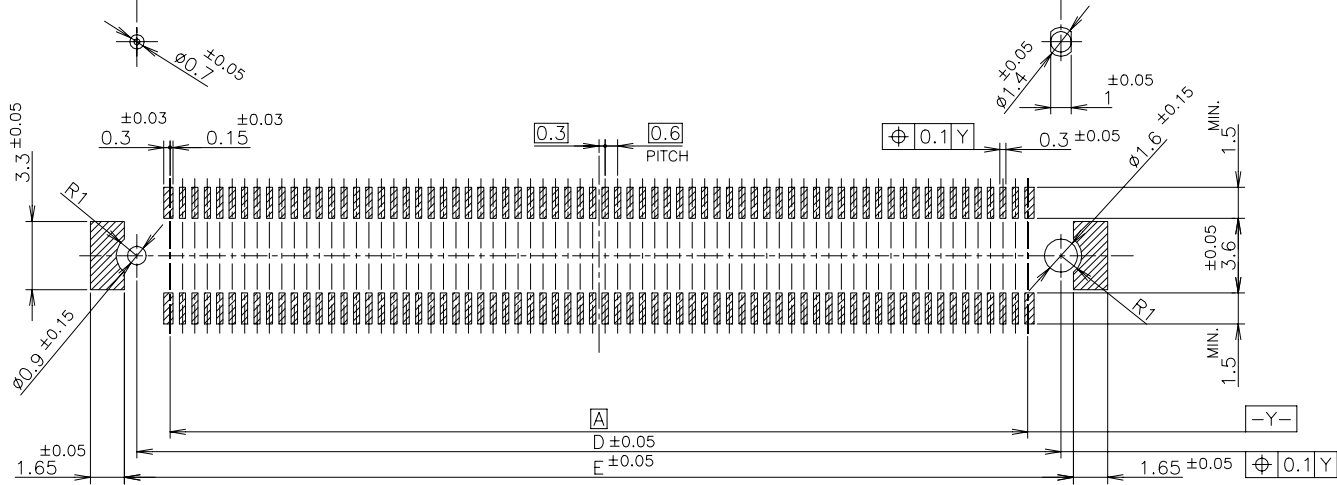
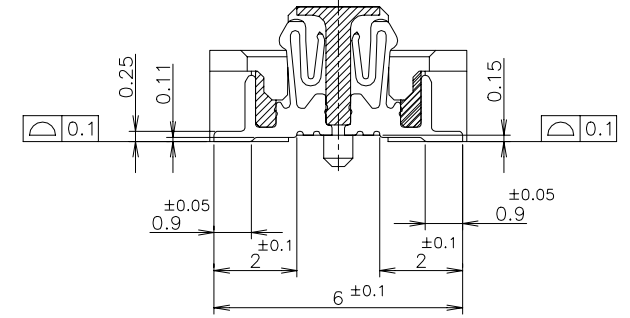
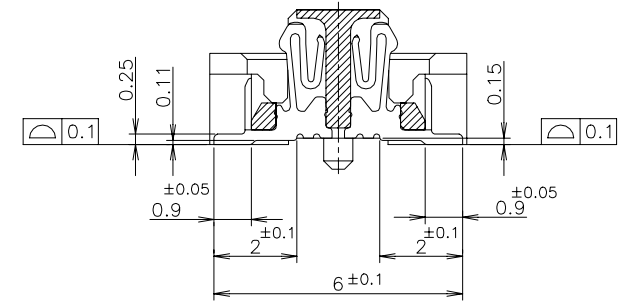
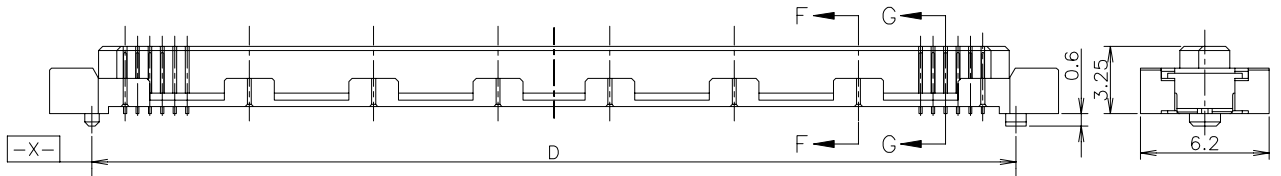
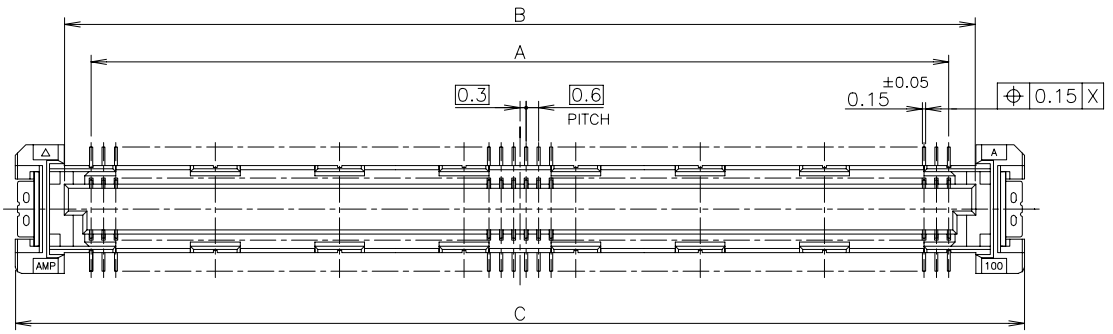
DIMENSIONS: 單位: 耗 mm	TOLERANCES UNLESS OTHERWISE SPECIFIED: 一般公差	DWN LEO ZHOU 16NOV04	CHK STEVEN YAO 16NOV04
0 PLC ± 0.2 1 PLC ± 0.2 2 PLC ± 0.2 3 PLC ± 0.2 4 PLC ± 0.2 ANGLES ± 5°		APVD I.ENOMOTO 16NOV04	NAME 名稱
MATERIAL 材料	FINISH 仕上	PRODUCT SPEC 製品規格 108-60047	APPLICATION SPEC 取付適用規格 114-5255
△1	△2 △6	WEIGHT 重量	SIZE A3
		CAGE CODE 00779	DRAWING NO C=5353190
		CUSTOMER DRAWING	RESTRICTED TO



EMBOSS ASSY  
FH 0.6BTB CONNECTOR  
REC 4H WITH G-CONTACT

SCALE 尺度 1:1	SHEET 1 OF 3	REV F
-----------------	-----------------	----------

REVISIONS					
変更					
P	LTR	DESCRIPTION	DATE	DWN	APVD
-	-	SEE SHEET 1	-	-	-



45.8	44.6	48.7	44	41.4	140	4-5353190-0
33.8	32.6	36.7	32	29.4	100	3- -8
51.8	50.6	54.7	50	47.4	160	1- -1 & 6-5353190-1
45.8	44.6	48.7	44	41.4	140	1- -0 & 6- -0
39.8	38.6	42.7	38	35.4	120	-9 & 5- -9
33.8	32.6	36.7	32	29.4	100	-8 & 5- -8
30.8	29.6	33.7	29	26.4	90	-7 & 5- -7
27.8	26.6	30.7	26	23.4	80	-6 & 5- -6
24.8	23.6	27.7	23	20.4	70	-5 & 5- -5
21.8	20.6	24.7	20	17.4	60	-4 & 5- -4
18.8	17.6	21.7	17	14.4	50	-3 & 5- -3
15.8	14.6	18.7	14	11.4	40	-2 & 5- -2
12.8	11.6	15.7	11	8.4	30	5353190-1 & 5-5353190-1
E	D	C	B	A	POS	△ PART NO.

REFERENCE P.C.BOARD LAYOUT

THIS DRAWING IS A CONTROLLED DOCUMENT.

DWN \_\_\_\_\_  
 CHK \_\_\_\_\_  
 APVD \_\_\_\_\_

TE Connectivity Ltd.

EMBOSS ASSY  
 FH 0.6BTB CONNECTOR  
 REC 4H WITH G-CONTACT

NAME 名称 \_\_\_\_\_  
 PRODUCT SPEC 製品規格 \_\_\_\_\_  
 APPLICATION SPEC 取付適用規格 \_\_\_\_\_

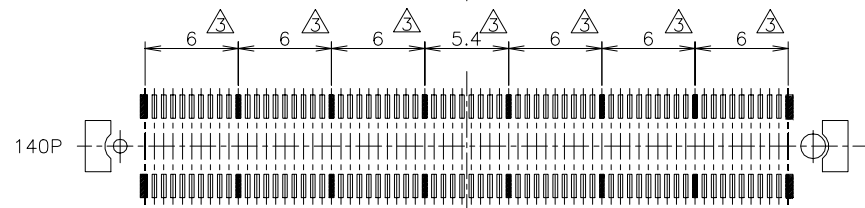
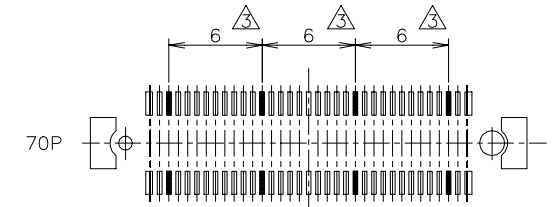
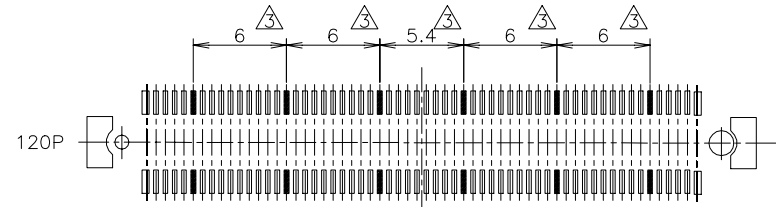
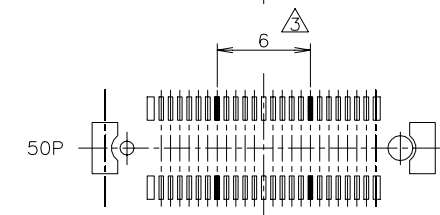
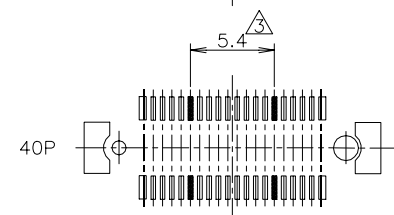
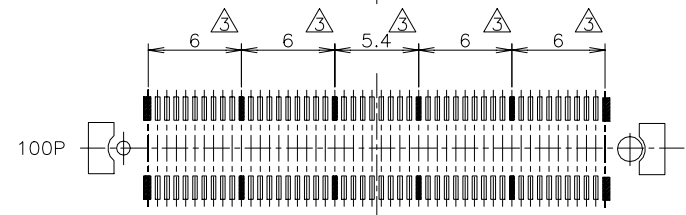
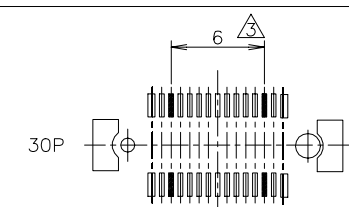
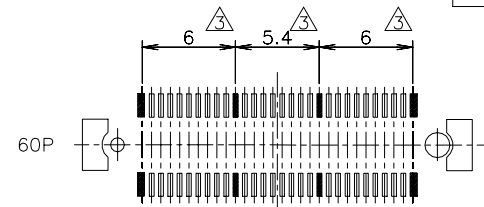
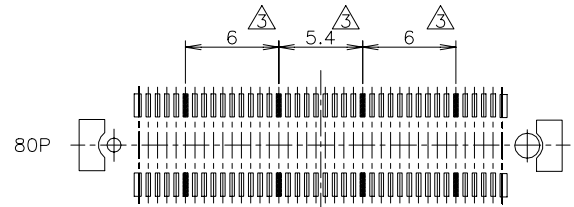
SIZE A3 CAGE CODE 00779 DRAWING NO. 番号 G=5353190 RESTRICTED TO \_\_\_\_\_

MATERIAL 材料 \_\_\_\_\_  
 FINISH 仕上 \_\_\_\_\_

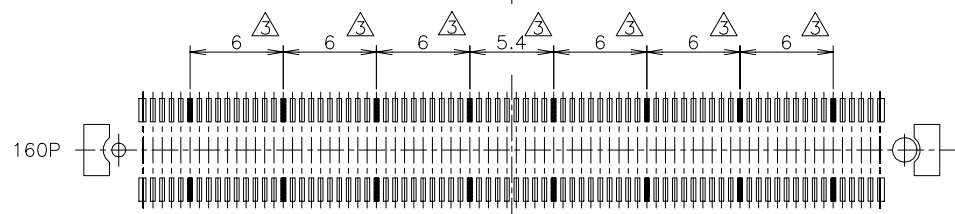
WEIGHT \_\_\_\_\_  
 CUSTOMER DRAWING

SCALE 尺度 4:1 SHEET 2 OF 3 REV F

REVISIONS					
変更					
P	LTR	DESCRIPTION	DATE	DWN	APVD
-	-	SEE SHEET 1	-	-	-



- △ MATERIAL : HOUSING : HIGH TEMP THERMO PLASTIC, UL94V-0  
CONTACT : COPPER ALLOY
- △ FINISH : UNDER PL Ni 0.0013mm MIN ALL OVER.  
CONTACT AREA 0.0002mm MIN Au PL.  
SOLDERING AREA: SIGNAL POS 0.00005mm MIN Au PL.  
Ⓣ GROUND POS 0.00005mm MIN Au PL.
- Ⓣ THIS POSITION IS GROUND CIRCUIT.
- Ⓣ PACKING ASSY DWG SEE SHEET 1.
- Ⓣ THIS PRODUCT WAS COATED BY FLUX-PENETRATION  
-INHIBITING AGENT.
- Ⓣ FINISH : UNDER PL Ni 0.0013mm MIN ALL OVER.  
CONTACT AREA 0.00076mm MIN Au PL.  
SOLDERING AREA: SIGNAL POS 0.00005mm MIN Au PL.  
Ⓣ GROUND POS 0.00005mm MIN Au PL.



THIS DRAWING IS A CONTROLLED DOCUMENT.		DWN		TE Connectivity Ltd.	
		CHK		EMBOSS ASSY	
DIMENSIONS: 單位: 耗 mm	TOLERANCES UNLESS OTHERWISE SPECIFIED: 一般公差	APVD	FH 0.6BTB CONNECTOR		
	0 PLC ± 0.3	PRODUCT SPEC 製品規格	REC 4H WITH G-CONTACT		
	1 PLC ± 0.3	APPLICATION SPEC 取付適用規格	SIZE	CAGE CODE	DRAWING NO
	2 PLC ± 0.3	WEIGHT	A3	00779	G=5353190
	3 PLC ± 0.3	CUSTOMER DRAWING	RESTRICTED TO		
	4 PLC ± 0.3		SCALE 3:1 SHEET 3 OF 3 REV F		
MATERIAL 材料	FINISH 仕上				

# Mouser Electronics

Authorized Distributor

Click to View Pricing, Inventory, Delivery & Lifecycle Information:

[TE Connectivity:](#)

[5353190-5](#)