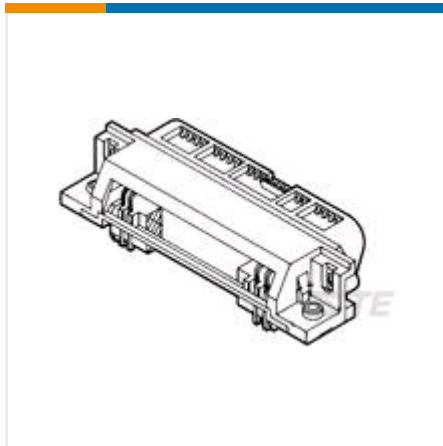




CONNECTORS

PCB D-SUB CONNECTORS



✓ Active

TE CONNECTIVITY (TE)

ASSY, PLUG, 50 POSN, RTANG, PCB

CHAMP | CHAMP

5552726-1

TE Internal Number: 5552726-1

EU RoHS Compliant

EU ELV Compliant

Connector Style Plug

Number of Positions 50

Centerline (Pitch) 2.16 mm [.085 in]

Number of Rows 2

Row-to-Row Spacing .085

↓ **PRODUCT DRAWING**
English

↓ **3D PDF**

DOCUMENTATION

Product Drawings

PLUG ASSEMBLY, 50 POSITION, RIGHT ANGLE, SELF TAPPING, CHAMP

PDF (TIFF AVAILABLE)

English

CAD Files

Customer View Model

2D_DXF.ZIP

English

3D PDF

PDF

3D

Customer View Model

3D_IGS.ZIP

English

Customer View Model

3D_STP.ZIP

English

Product Specifications

Application Specification

CHAMP Printed Circuit (PC) Board Mounted Connectors

PDF

English

Product Environmental Compliance

TE Material Declaration

MD_5552726-1_052720161015_dmtec

PDF

English

FEATURES



Please review product documents or [contact us](#) for the latest agency approval information.

Please Note: Use the Product Drawing for all design activity.

Product Type Features

Connector Style Plug

Row-to-Row Spacing .085

Profile Standard

PCB Mounting Orientation Right Angle

Connector & Contact Terminates To Printed Circuit Board

Orientation Standard

Product Type Connector

Grounded No

Shielded No

Configuration Features

Number of Positions 50

Number of Rows 2

Preloaded Yes

Body Features

Plating Material Thermoplastic

Color Black

Bracket Material Thermoplastic

Contact Features

Solder Tail Contact Plating Material Tin
Contact Mating Area Plating Thickness (µin) 30
Contact Base Material Copper Alloy
Contact Mating Area Plating Material Gold

Termination Features

Termination Post Length (mm) .187

Mechanical Attachment

Panel Mount Retention With
PCB Mounting Style Through Hole
PCB Mount Retention With
PCB Mount Retention Type Self-Tapping
Mating Connector Lock With
Mating Connector Lock Type Screwlocks
Mounting Hole Diameter (mm) 3.15
Panel Attachment Style Rear Mount

Housing Features

Centerline (Pitch) 2.16 mm [.085 in]
Housing Color Black
Housing Material Thermoplastic

Dimensions

Panel Thickness 1.57 mm [.062 in]

Industry Standards

UL Flammability Rating UL 94V-0

Packaging Features

Packaging Quantity 40
Packaging Method Tray

Other

Comb Material Thermoplastic
Comment For filtered connector, order P/N 93532-2.

PRODUCT COMPLIANCE



Statement of Compliance

Statement of Compliance

PDF
