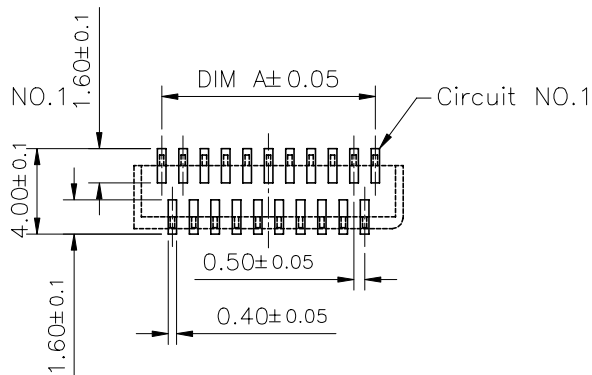
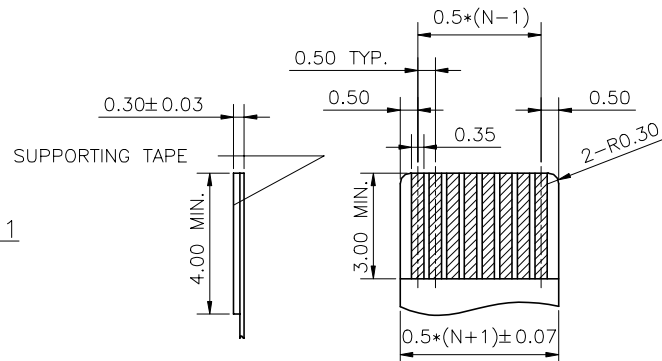
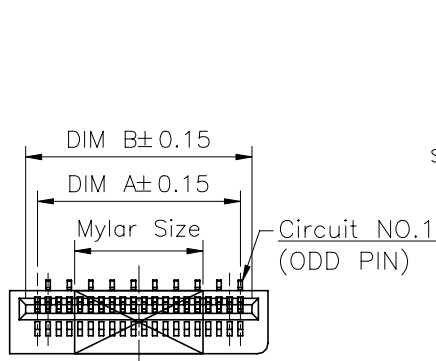


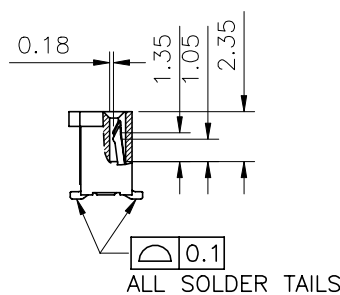
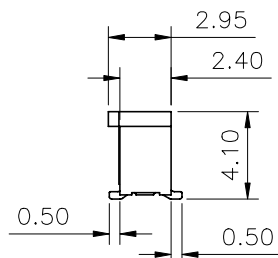
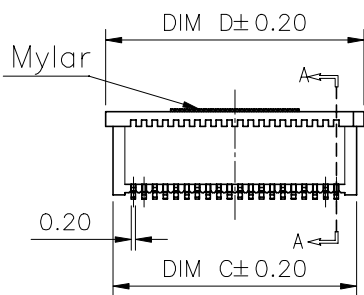
RECOMMENDED PCB LAYOUT
(EVEN PIN)



RECOMMENDED PCB LAYOUT
(ODD PIN)



APPLICABLE FPC/FFC LAYOUT
GENERAL TOLERANCE ±0.05



SECTION A-A

NOTES:

1. MATERIAL:
 - 1.1 HOUSING: THERMOPLASTIC, HIGH TEMP., UL94V-0; COLOR:NATURAL.
 - 1.2 CONTACT: COPPER ALLOY
2. FINISH:
 - 2.1 CONTACT:
 - 50u"MIN NICKEL UNDERPLATING OVER ALL
 - 1: GOLD FLASH ON CONTACT AREA
 - N: 80~150u" MATTE TIN PLATING OVER ALL
 - L: 80~150u" BRIGHT TIN PLATING OVER ALL
3. REFLOW SOLDER CAPABLE TO 260°C PER ACES SPEC.
4. SPEC. PLS. REFER TO PS-51526-XXXXX-XXX
5. PACKAGE PLS. REFER TO 91525-XXXXX-TRP
6. PART NUMBER

52525-XXX X X-XXX

CKTS	XXX	HOUSING COLOR
		001 BLACK

PACKING PLATING:
 4:T&R WITH MYLAR 1:GOLD FLASH
 5:TUBE WITH MYLAR N:MATTE TIN
 L:BRIGHT TIN

CKT	Dim A	Dim B	Dim C	Dim D	M/S	CKT	Dim A	Dim B	Dim C	Dim D	M/S
004	1.5	2.6	3.4	4.1	3.0	024	11.5	12.6	13.4	14.1	6.0
005	2.0	3.1	3.9	4.6		025	12.0	13.1	13.9	14.6	
006	2.5	3.6	4.4	5.1		026	12.5	13.6	14.4	15.1	
007	3.0	4.1	4.9	5.6		027	13.0	14.1	14.9	15.6	
008	3.5	4.6	5.4	6.1		028	13.5	14.6	15.4	16.1	
009	4.0	5.1	5.9	6.6		029	14.0	15.1	15.9	16.6	
010	4.5	5.6	6.4	7.1		030	14.5	15.6	16.4	17.1	10.0
011	5.0	6.1	6.9	7.6		031	15.0	16.1	16.9	17.6	
012	5.5	6.6	7.4	8.1		032	15.5	16.6	17.4	18.1	
013	6.0	7.1	7.9	8.6		033	16.0	17.1	17.9	18.6	
014	6.5	7.6	8.4	9.1	034	16.5	17.6	18.4	19.1		
015	7.0	8.1	8.9	9.6	035	17.0	18.1	18.9	19.6		
016	7.5	8.6	9.4	10.1	036	17.5	18.6	19.4	20.1		
017	8.0	9.1	9.9	10.6	037	18.0	19.1	19.9	20.6		
018	8.5	9.6	10.4	11.1	038	18.5	19.6	20.4	21.1		
019	9.0	10.1	10.9	11.6	039	19.0	20.1	20.9	21.6	15.0	
020	9.5	10.6	11.4	12.1	040	19.5	20.6	21.4	22.1		
021	10.0	11.1	11.9	12.6	041	20.0	21.1	21.9	22.6		
022	10.5	11.6	12.4	13.1	042	20.5	21.6	22.4	23.1		
023	11.0	12.1	12.9	13.6							

QUALITY SYMBOLS MAJOR Ⓢ CRITICAL Ⓢ GENERAL TOLERANCES (UNLESS SPECIFIED) X ±0.50 X ±0.25 .XX ±0.15 .XXX ±0.10 ANGLES ±2°	DRAWN BY Lei,shanjun DATE 26/05/18	
	CHECKED BY Lu, Jing Quan DATE 26/05/18	
	APPROVED BY Cartso Tso DATE 26/05/18	UNITS mm SCALE 1:1
	SIZE A4 SHEET NO. 1 OF 1	RFG NO. N/A REV A DWG NO. 52525-XXXXX-XXX