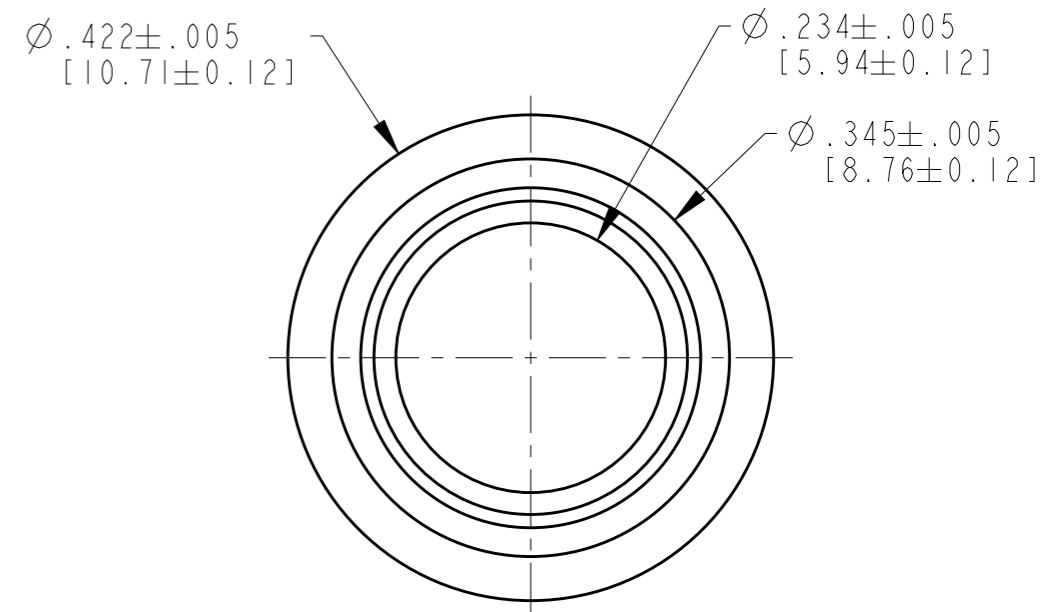
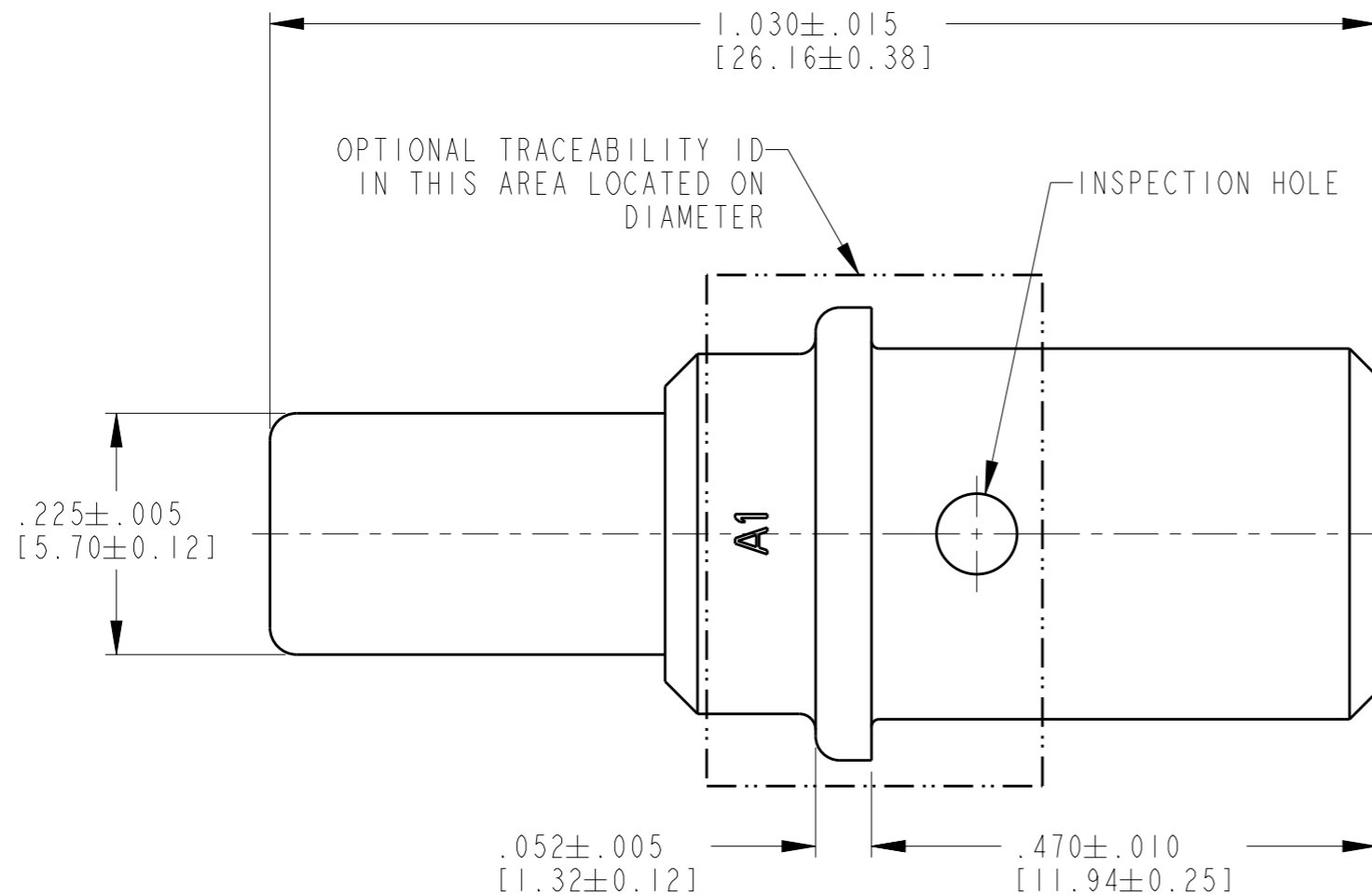


REVISIONS

P	LTR	DESCRIPTION	DATE	DWN	APVD
	A1	REVISED PER PCN E-17-016249	03NOV2017	JA	DM
	B	REVISED PER PCN E-18-012207	31JUL2018	JA	DM
	BI	REVISED PER PCN E-19-018080	19NOV2019	MK	DM



TE INTERNAL PN	DEUTSCH PN	PLATING
0460-204-0490	0460-204-04141	NICKEL
0460-204-0431	0460-204-0431	GOLD

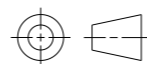
BI 2. SEE APPLICATION SPECIFICATION 114-151004 FOR CRIMP TOOLS AND WIRE RANGE.

BI 1. DELETED

NOTES: UNLESS OTHERWISE SPECIFIED

THIS DRAWING IS A CONTROLLED DOCUMENT.

DIMENSIONS: INCHES [mm]



TOLERANCES UNLESS OTHERWISE SPECIFIED:

0 PLC	±
1 PLC	±
2 PLC	±
3 PLC	±
4 PLC	±
ANGLES	±

MATERIAL

FINISH

DWN D.MEYER 29NOV2000

CHK B.BYFORD 18DEC2000

APVD R.RFED 19DEC2000

PRODUCT SPEC

108-151004

APPLICATION SPEC

114-151004

WEIGHT

8.33g

CUSTOMER DRAWING

**STE** TE Connectivity

NAME CONTACT PIN SIZE 4

SIZE	CAGE CODE	DRAWING NO	RESTRICTED TO
A3	4AFU8	0460-204-04XX	

SCALE 6:1 SHEET 1 OF 1 REV BI

# Mouser Electronics

Authorized Distributor

Click to View Pricing, Inventory, Delivery & Lifecycle Information:

[TE Connectivity:](#)

[0460-204-0490](#)