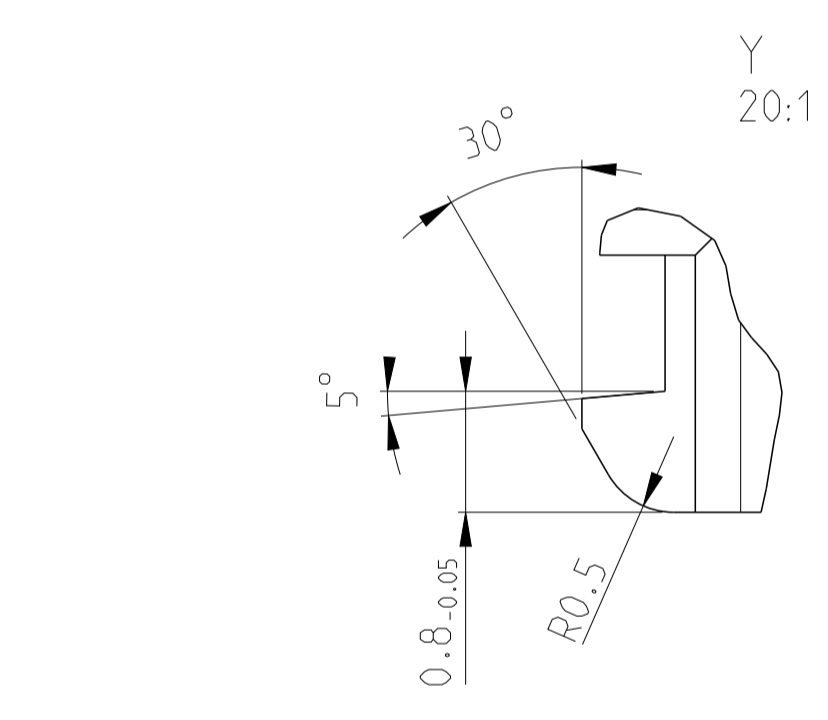
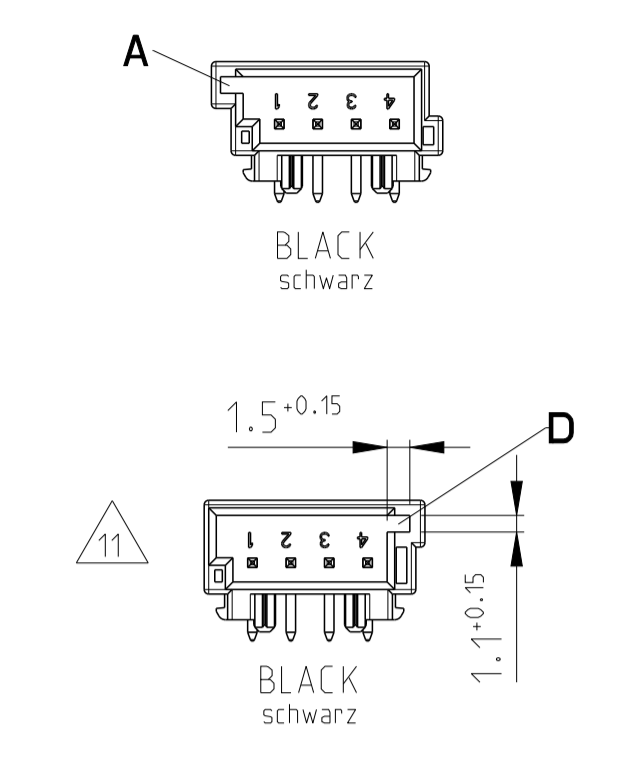
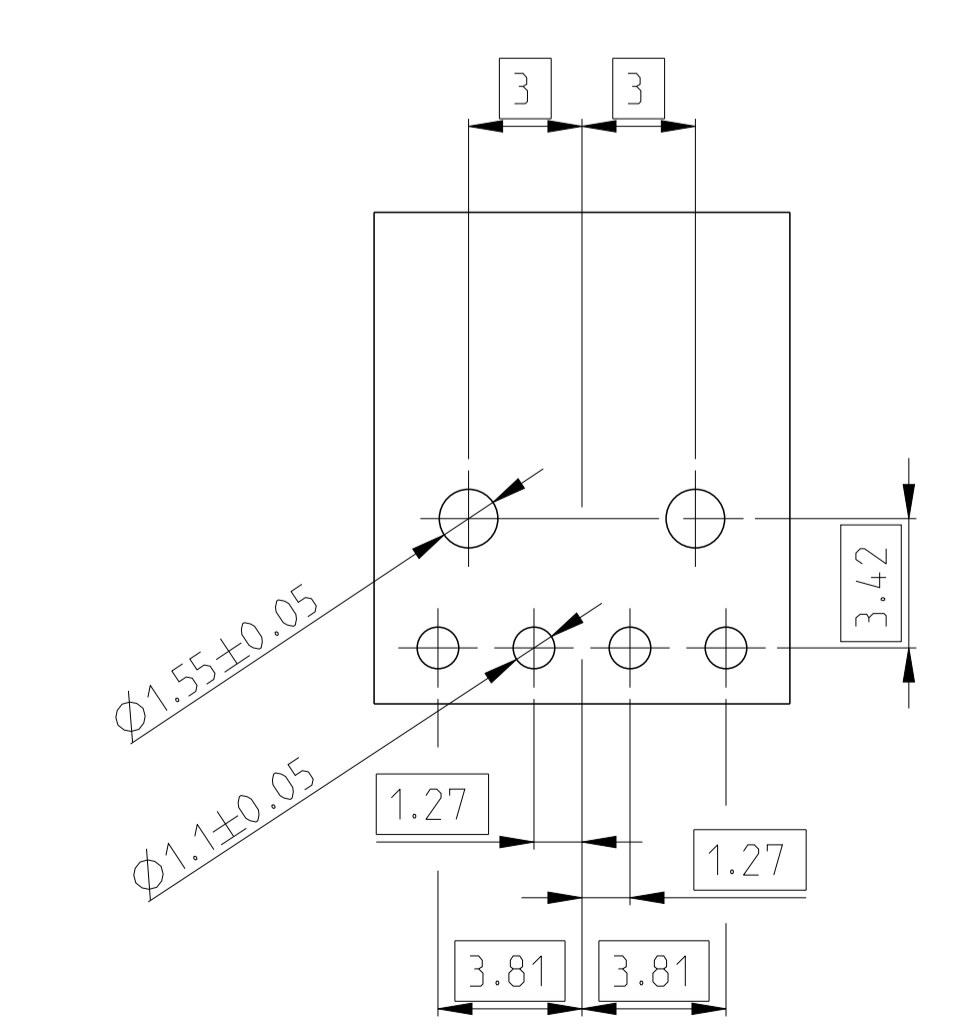


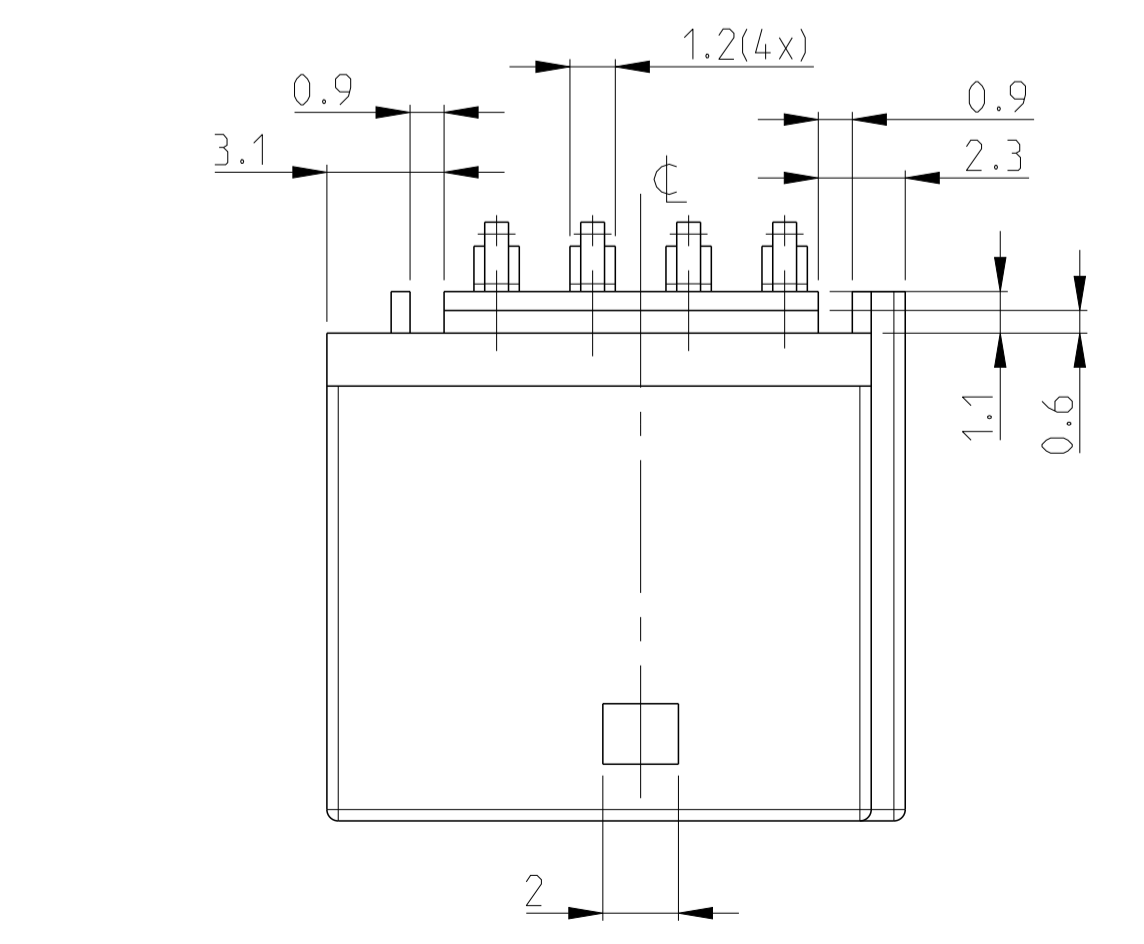
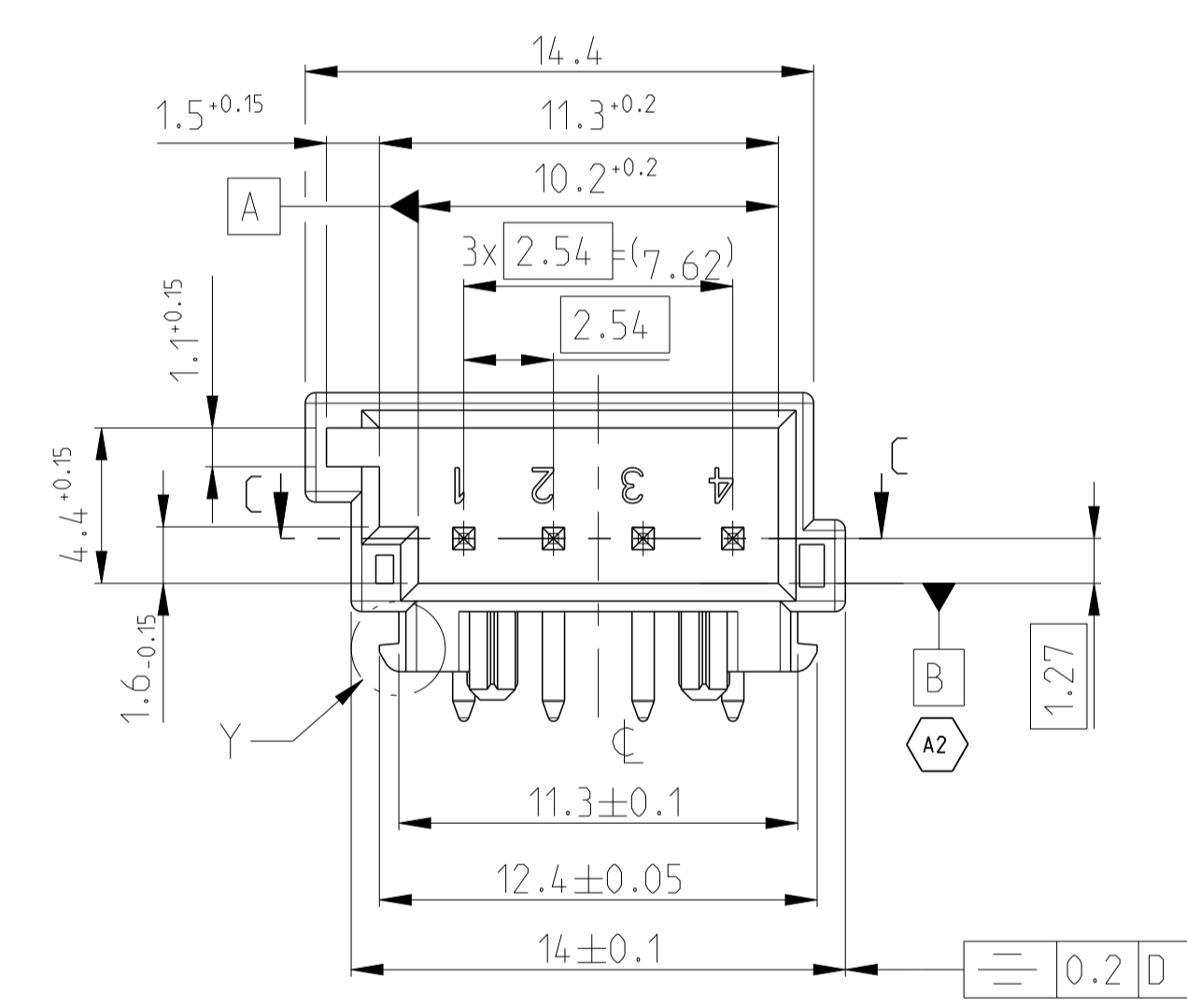
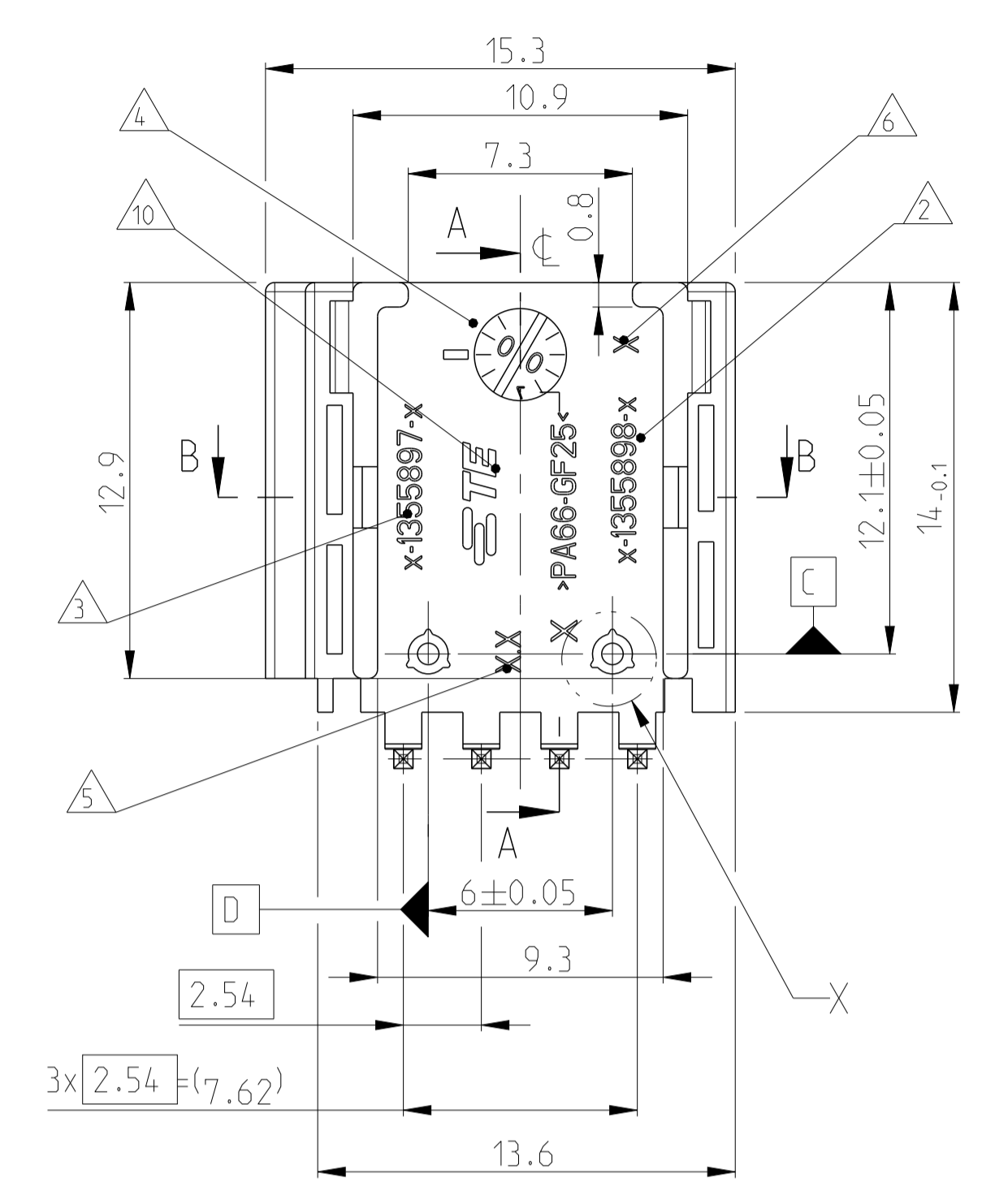
CODING
Kodierung
2:1



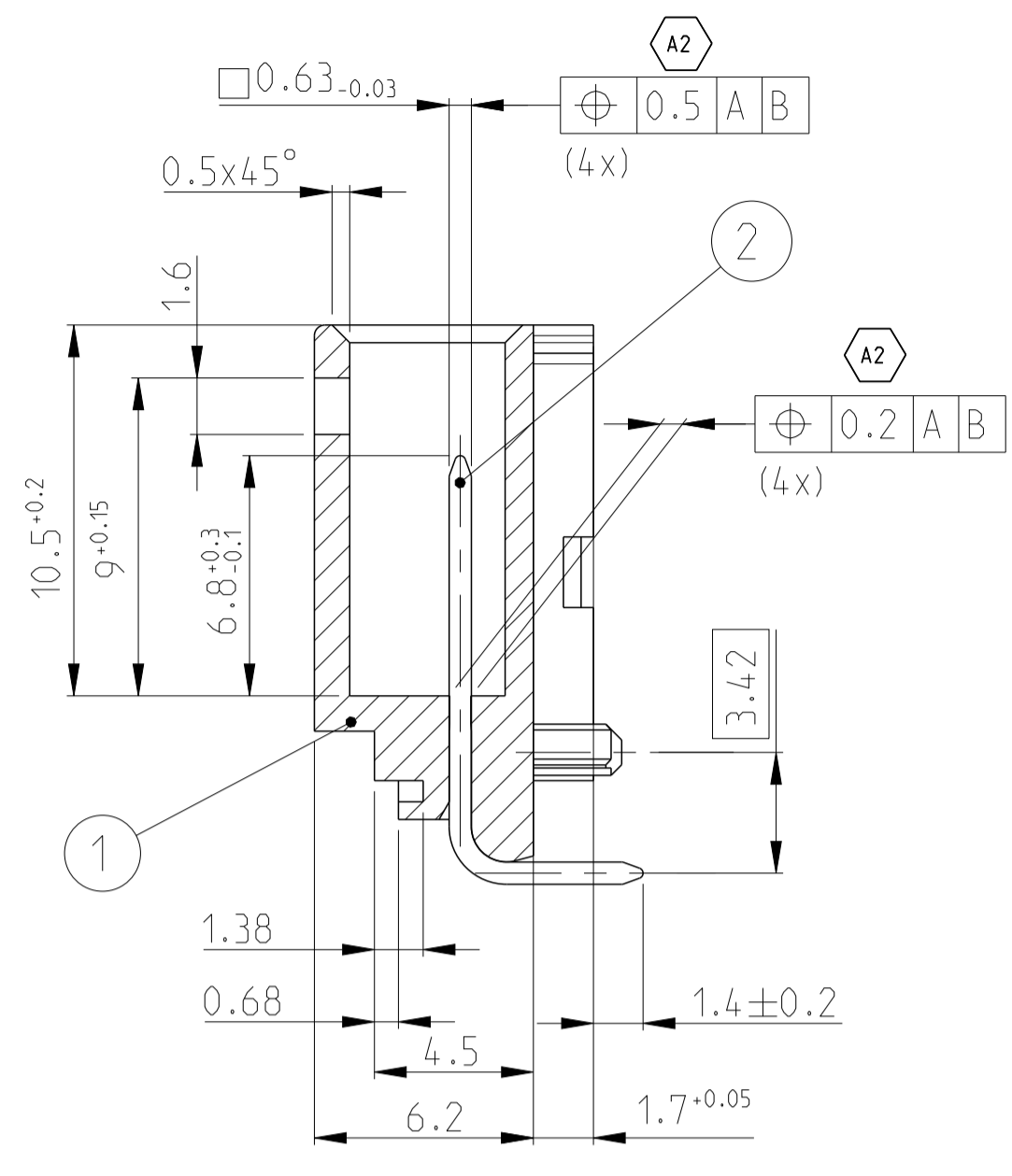
POSSIBLE PCB LAYOUT
CUSTOMER IS RESPONSIBLE FOR LAYOUT
Mogliches Leiterplattenlayout
Kunde ist fuer Layout verantwortlich



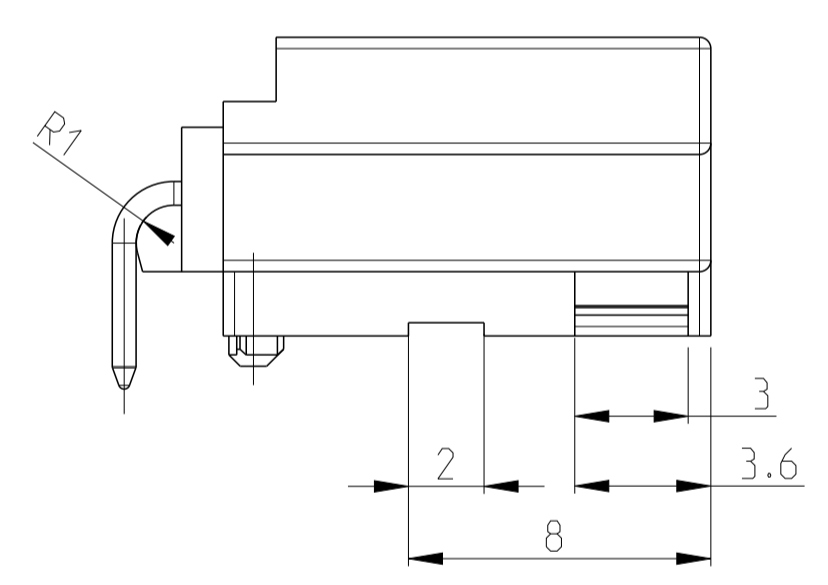
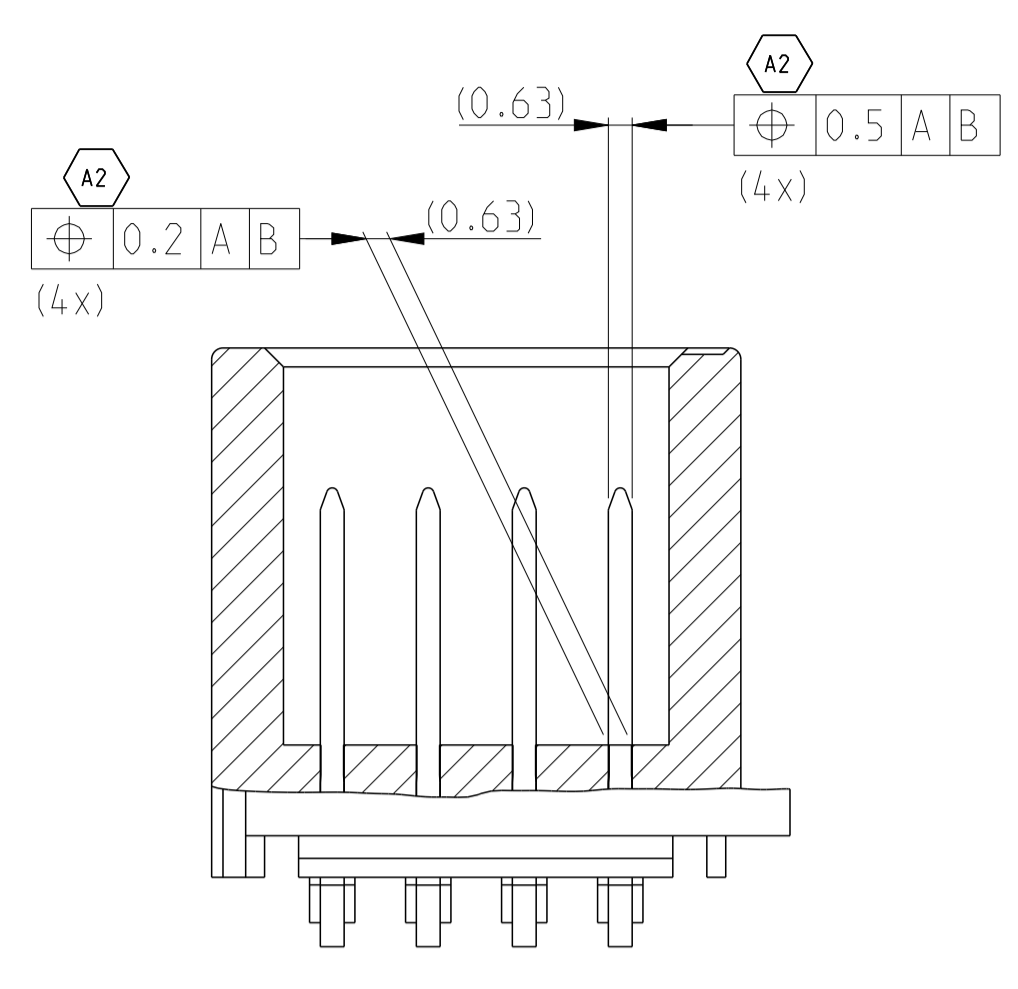
Part number 1-1355897-1 as shown



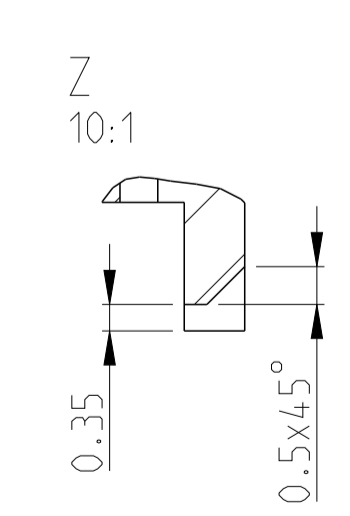
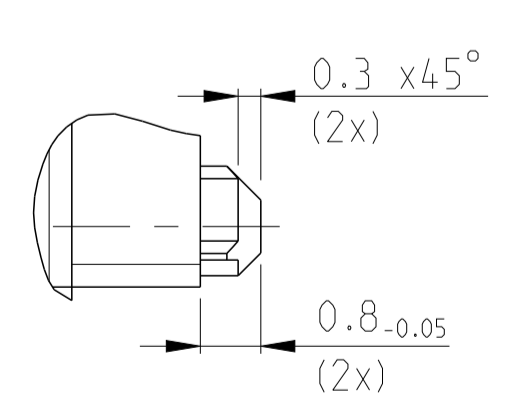
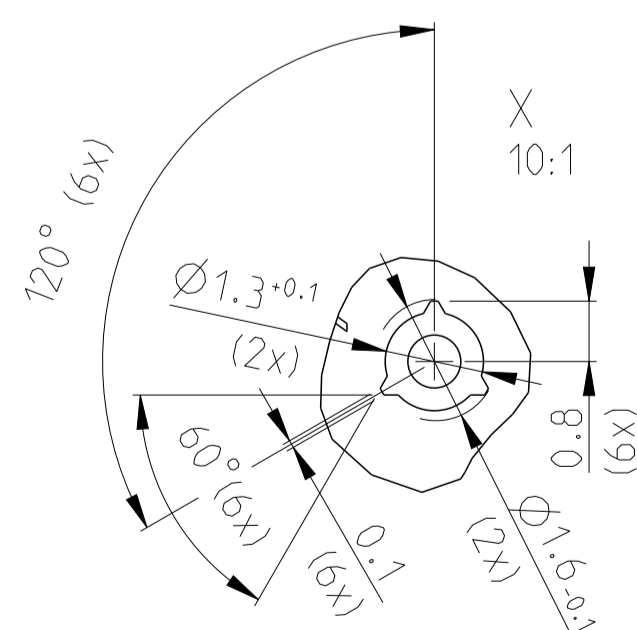
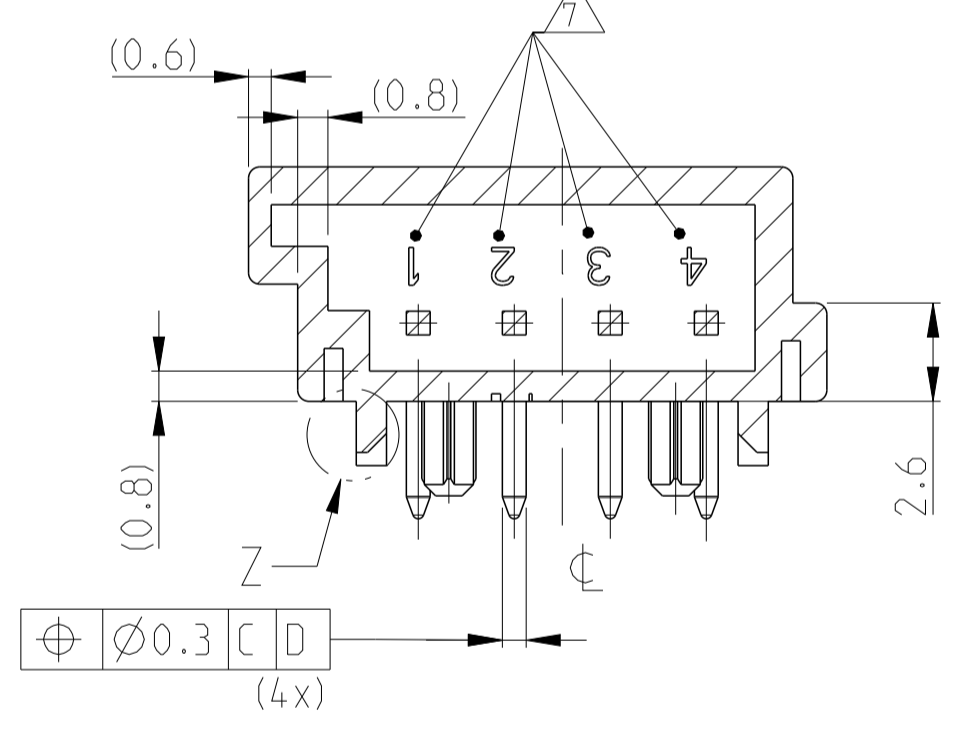
A-A



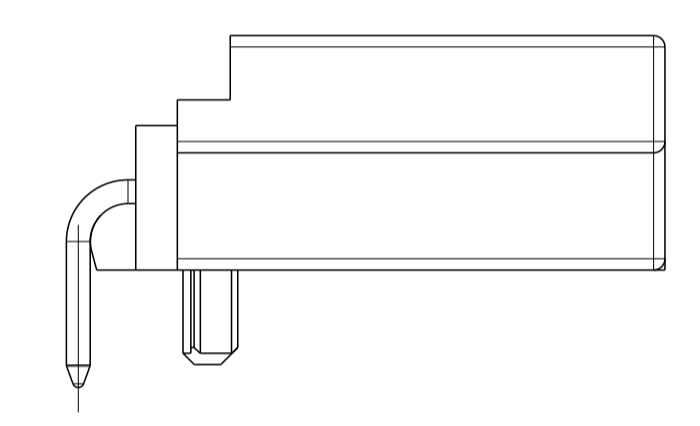
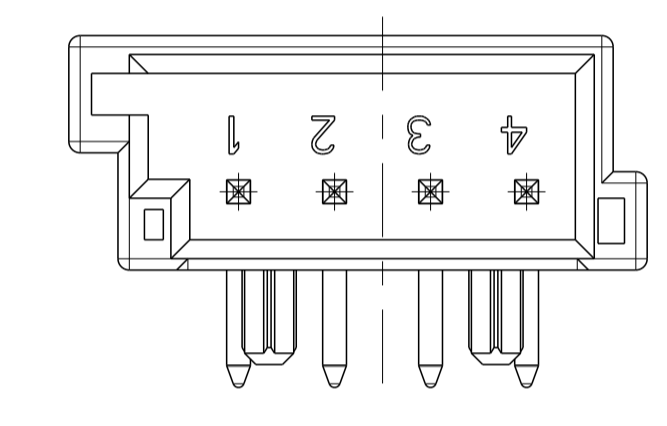
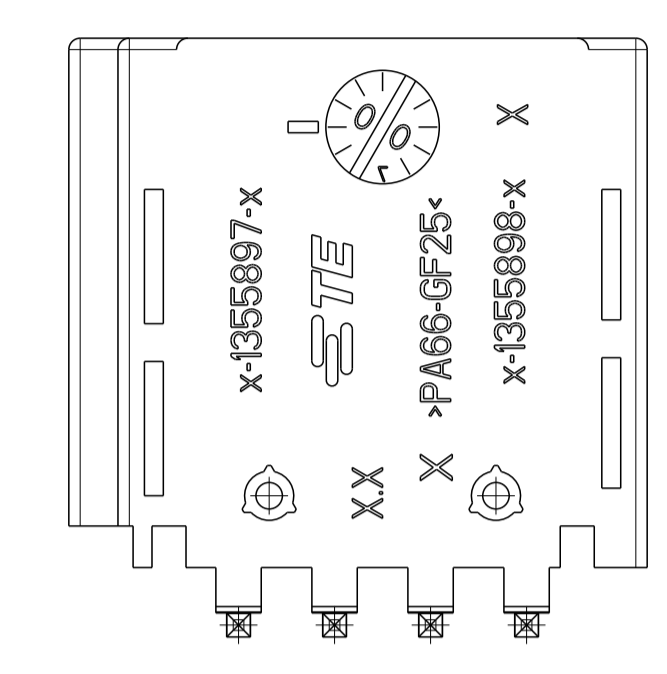
C-C



B-B

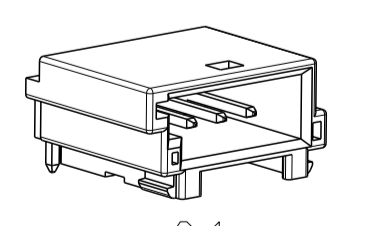


Part number 1-1355897-2 as shown
missing dimension see part number 1-1355897-1



NOTES

- Bemerkungen
- ALL RADII R0.3 EXCEPT AS NOTED
Nicht bemessene Radien R0.3
 - AMP-PART NO.:
AMP-Teile Nr.:
 - AMP-ASS'Y-NO.:
AMP-Assy Nr.:
 - PRODUCTION-DATE WITH DATE INSERT, Ø3
Produktionsdatum mit Datumstempel, Ø3
 - AREA FOR CAVITY MARKING
Platz fuer Nestmarkierung
 - REVISION ACCORDING TO PLASTIC PART-REV.
Aenderungsindex gemass Kunststoffteil-Rev.
 - CAVITY IDENTIFICATION
Kammerbezeichnung
 - PIN RETENTION FORCE MIN. 25N AGAINST STITCHING DIRECTION
Stiftausdruckkraft min. 25N entgegen der Bestueckungsrichtung
 - WALL THICKNESS EXCEPT AS NOTED 1mm
unbemessene Wandstaerken 1mm
 - MATERIAL IDENTIFICATION
Materialkennzeichnung
 - CONVERSION KIT FOR CODING D IS POSSIBLE
Umbausatz fuer Kodierung D im Werkzeug vorgesehen
 - 1-4 µm Sn OVER/ueber 1.3-2.5 Ni
 - PARTING LINE BURR MAX 0.2mm
Formtrenngraet max. 0.2mm
 - SOLDERABILITY ACCORDING DIN IEC 68 PART 2-20
Loetbarkeit gemessens DIN IEC 68 PART 2-20
 - PACKAGING: BULK PARTS IN CARDBOARD
Verpackung: Schuetttgut in Karton



CODING A AS SHOWN
Kodierung A wie gezeigt

THIS DRAWING IS A CONTROLLED DOCUMENT.							DWG: G.Panitz 09MAR2000		CHK: H.Schmidt 06APR2000		NAME: MGS PIN HEADER, 4POS. MGS Stiftwanne, 4pol.	
REV	PCS	DESCRIPTION	SURFACE	MATERIAL	CODING	ITEM NO	DIMENSIONS: mm	TOLERANCES UNLESS OTHERWISE SPECIFIED: DIN16901-140	PLC	PLC	PLC	PLC
1-1355897-2	4	MODU II PIN	BLACK/schwarz	PA66 GF25	A	2						
	1	MOS PIN HEADER	BLACK/schwarz	PA66 GF25	A	1						
1-1355897-1	4	MODU II PIN	BLACK/schwarz	CuMg0.1	A	2						
	1	MOS PIN HEADER	BLACK/schwarz	PA66 GF25	A	1						
Bestell Nr. PART NO	REV	PCS	DESCRIPTION	SURFACE	MATERIAL	CODING	ITEM NO	MATERIAL SEE TABLE siehe Tabelle	FINISH	ANGLE	SCALE	SHEET 1 OF 1
											5:1	REV: A2

Mouser Electronics

Authorized Distributor

Click to View Pricing, Inventory, Delivery & Lifecycle Information:

[TE Connectivity:](#)

[1-1355897-1](#)