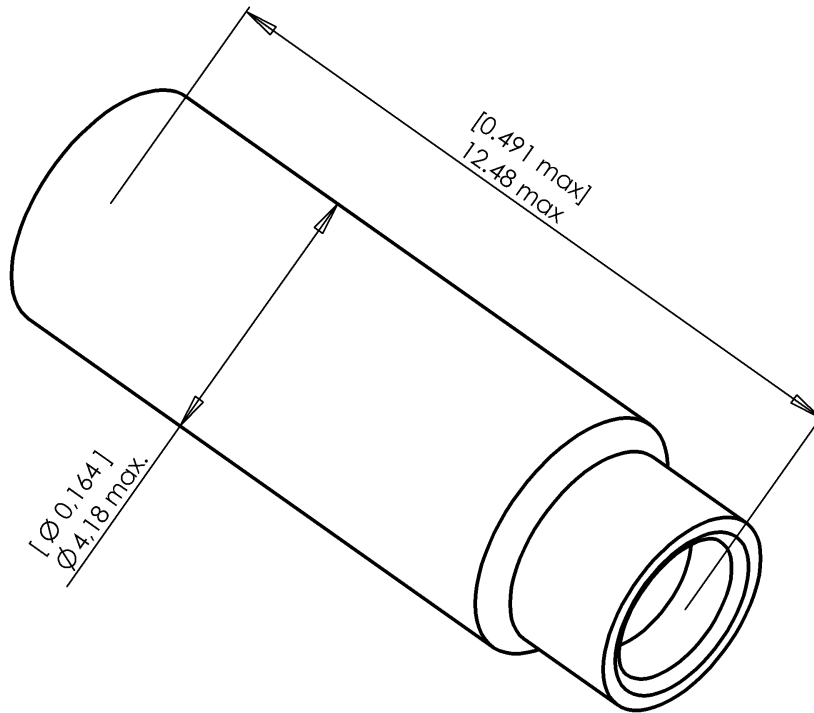


CRIMPING FERRULE FOR Ø 2 MM CABLE

Packaging  
100Series  
LCIssue  
04 jan 05Page  
1 / 1

Original dimensions in mm [inch]

**GENERAL**

- Compatible with LC connectors
- Suitable for use with cable size Ø 2 mm
- Compatible with Bellcore GR 326 specification
- Brass, nickel plated
- Crimping tool hexagon 3,40 mm [ 0,134 ]

# Mouser Electronics

Authorized Distributor

Click to View Pricing, Inventory, Delivery & Lifecycle Information:

[Radial:](#)

[F718160200](#)