

4

3

2

1

THIS DRAWING IS UNPUBLISHED.

RELEASED FOR PUBLICATION

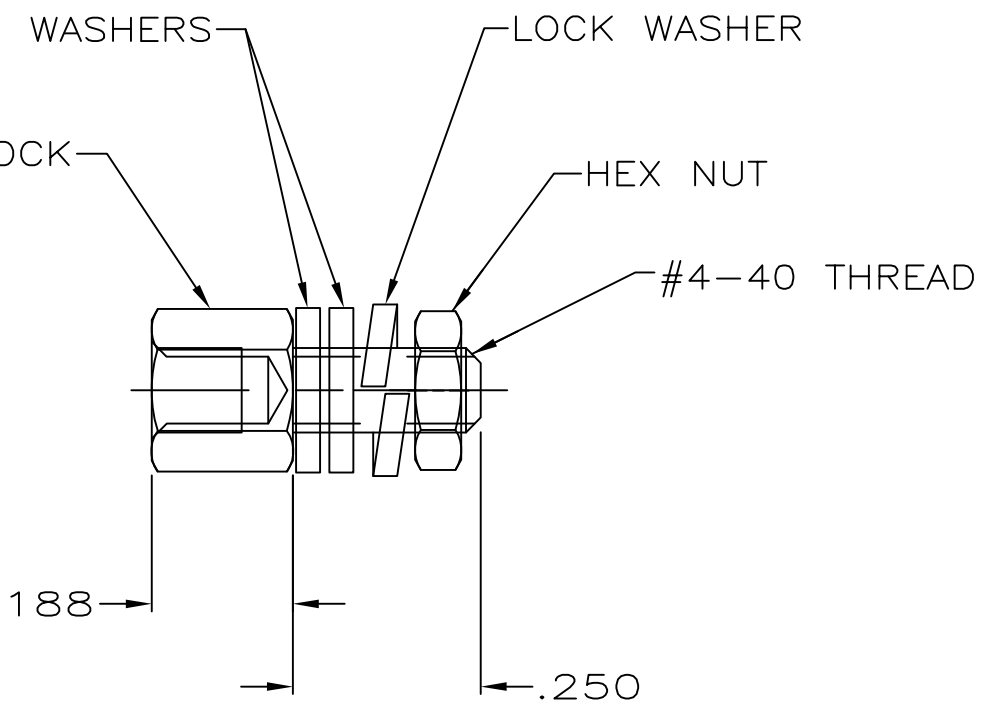
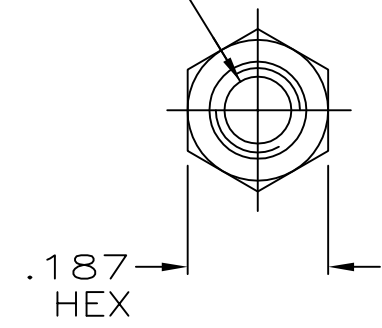
ALL RIGHTS RESERVED.

© COPYRIGHT - By -

REVISIONS

P	LTR	DESCRIPTION	DATE	DWN	APVD
R		REVISED PER ECO-17-005756	06NOV2017	AP	DG

#4-40 THREAD  
.120 MIN DEEP



① ZINC PLATED .000200-.000400 THICK, YELLOW CHROMATE COATING.

② ZINC PLATED .000200-.000400 THICK, CLEAR CHROMATE COATING.

3. PARTS PACKAGED UNASSEMBLED.

④ PARTS PACKAGED AS A UNIT KIT.

⑤ PARTS INDIVIDUALLY BULK PACKED & SHIPPED AS A UNIT PACKAGE.

1	1	2	1	④	①	5745563-5
2	2	4	2	⑤	②	5745563-4
2	2	4	2	④	②	5745563-3
2	2	4	2	④	①	5745563-1
HEX NUT QTY	LOCK WASHER QTY	WASHER QTY	FEMALE SCREWLOCK QTY	PACKAGING	FINISH	PART NUMBER

THIS DRAWING IS A CONTROLLED DOCUMENT.

DIMENSIONS:	TOLERANCES UNLESS OTHERWISE SPECIFIED:
INCHES	
0 PLC	± -
1 PLC	± -
2 PLC	± -
3 PLC	± .005
4 PLC	± -
ANGLES	± -
MATERIAL	FINISH
STEEL	SEE TABLE

DWN	S.WAITMAN	30JUN05
CHK	C.ROHDE	30JUN05
APVD	M.WALMSLEY	30JUN05
PRODUCT SPEC	-	
APPLICATION SPEC	-	
WEIGHT	0.000000	
CUSTOMER DRAWING		

<b>STE</b> TE Connectivity			
KIT, SCREWLOCK, FEMALE, PLASTIC OR METAL SERIES, SHORT, AMPLIMITE HDE			
SIZE	CAGE CODE	DRAWING NO	RESTRICTED TO
A3	00779	5745563	-
SCALE		SHEET	REV
4:1		1 of 1	R

# Mouser Electronics

Authorized Distributor

Click to View Pricing, Inventory, Delivery & Lifecycle Information:

[TE Connectivity:](#)

[5745563-3](#)