

Subminiature Snap Switch



Single Pole DB Series

Features

- Precision switch with high repeat accuracy
- Models available for operating temperature up to 120 °C
- Various contact materials available
- RoHS compliant
- Various aux actuators (can be retrofitted)
- Two mounting positions
- Mechanical life up to 15,000,000 operations

Standard Parts¹

DB1C-A1AA	DB1C-A1RC	DB1C-B1RC	DB2C-A1MC	DB2C-C1AA	DB3C-B1AA
DB1C-A1LB	DB1C-B1AA	DB1C-C1AA	DB2C-A1RC	DB3C-A1AA	DB3C-B1LB
DB1C-A1LC	DB1C-B1LB	DB2C-A1AA	DB2C-B1AA	DB3C-A1LB	DB3C-B1LC
DB1C-A1MC	DB1C-B1LC	DB2C-A1LB	DB2C-B1LC	DB3C-A1LC	DB3C-B1MC
DB1C-A1RB	DB1C-B1MC	DB2C-A1LC	DB2C-B1RC	DB3C-A1RC	DB3C-B1RC
					DB3C-C1AA

¹The part number configuration matrix below provides details to the part numbers above.

For configurable part numbers that are not listed above, not listed in your region, or for custom part numbers, contact the factory or your distributor.

Part Number Breakdown

DB1B-B1AA

Series	Contact Rating ²		Configuration		Terminal Type millimeters (inches)		Actuator Type		
DB	120 °C or 85 °C		120 °C		A1	Solder, short		AA	Spherical-head, no auxiliary actuator
	1	5 Amp	A	SPST NO	B1	2.8 x 0.5 (0.110 x 0.020) QC, straight		BA	Radius, no auxiliary actuator
	2	10.1 Amp	B	SPST NC	C1	1.3 x 0.5 (0.051 x 0.020) PCB, straight		For others, see actuator table at www.switches-sensors.zf.com	
	3	0.1 Amp	C	SPDT	D1	0.6 x 0.5 (0.024 x 0.020) PCB, straight			
	85 °C only		85 °C		D2	0.6 x 0.5 (0.024 x 0.020) PCB, RH side w/location pins			
	5	1 Amp	E	SPST NO	D3	0.6 x 0.5 (0.024 x 0.020) PCB, LH side w/location pins			
	6	5 Amp	F	SPDT NC	D4	0.6 x 0.5 (0.024 x 0.020) PCB, RH side			
	7	10.1 Amp	G	SPDT	D5	0.6 x 0.5 (0.024 x 0.020) PCB, LH side			

²UL current rating; see table below for complete details

Electrical Specifications – Contact Ratings

Contact	EN61058/UL61058-1
1	6 A, 250 VAC; 0.1 A, 80 VDC
2	10 (1.5) A, 250 VAC; 0.1 A, 80 VDC
3	0.1 A, 250 VAC; 0.1 A, 80 VDC
4	4 A, 250 VAC
5	1 A, 250 VAC
6	6 A, 250 VAC
7	10 (1.5) A, 250 VAC

UL file number E314201

www.switches-sensors.zf.com ZF Electronics Systems Pleasant Prairie, LLC (“ZF”) acquired the rights to the CHERRY branded switches and sensors in 2008. Although ZF divested its interest in the CHERRY name in 2015, the switches and sensors remain unchanged and are now sold under the ZF brand.

Page 1 of 2, Last update 2023-11-01, Specifications subject to change without notice.



Mechanical Specifications

Contact Gap	< 3 mm (μ)
Operating Force	70 – 280 cN (model dependent, without actuator)
Total Travel (without actuator)	1.6 mm
Operating life	

Contact	Operation Cycles EN61058/UL61058-1	Mechanical Life
1	10,000	15,000,000
2	10,000	10,000,000
3	50,000	15,000,000
4	50,000	15,000,000
5	50,000	15,000,000
6	50,000	15,000,000
7	50,000	10,000,000

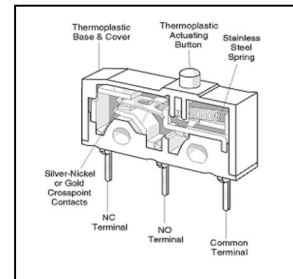
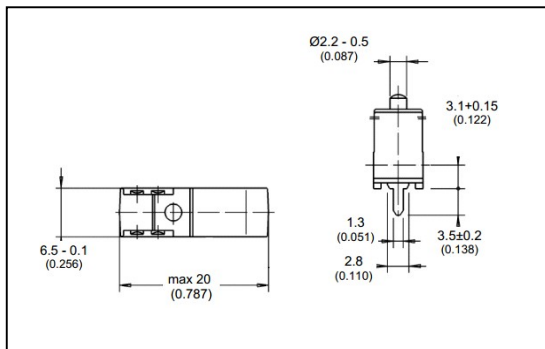
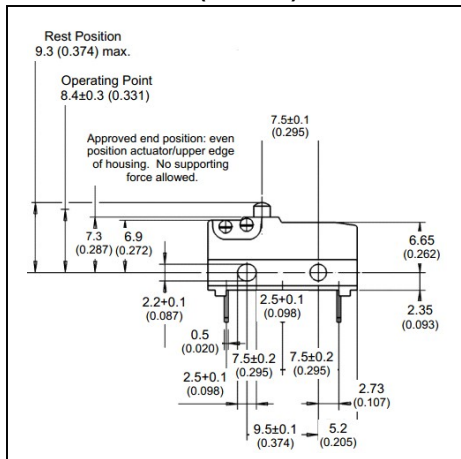
Material Specifications

Base	PET (UL 94 V-0)
Cover	PBT (UL 94 V-0); PET (UL 94 V-0)
Actuator	PBT (UL 94 V-0) 120 °C, POM (UL 94 HB) 85 °C
Contacts	AgSnO ₂ , AgNi, AuAgPt (Crosspoint)
Terminals	CuZn (silver-plated)
Auxiliary Actuator	Stainless Steel or plastic
Switching parameters	Complete chart available at http://switches-sensors.zf.com/us/

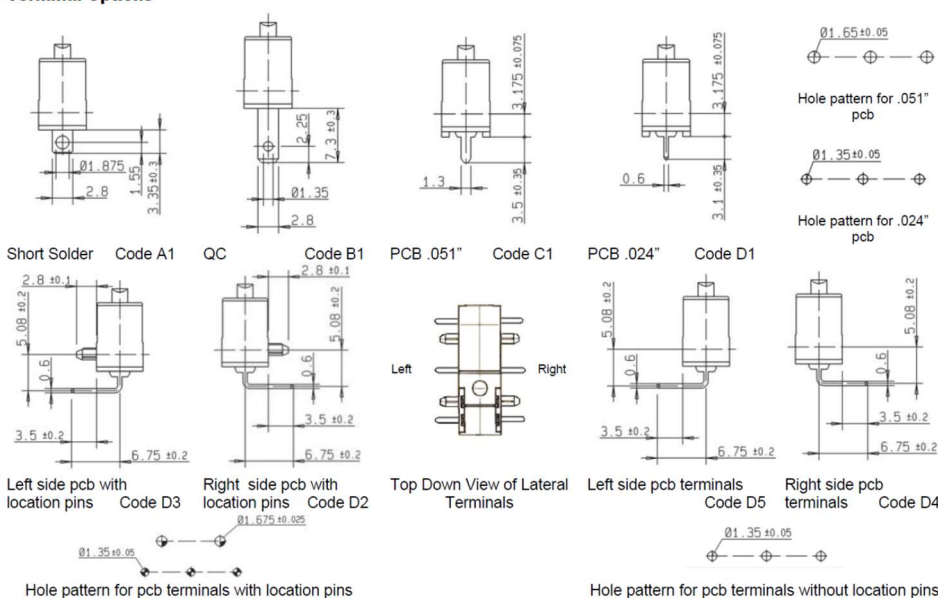
Environmental Specifications

Ambient Temperature	-40 °C to 85 °C/120 °C (-40 °F to 185 °F/248 °F)
Ingress Protection	IP50

Dimensions mm (inches)



Terminal Options



www.switches-sensors.zf.com ZF Electronics Systems Pleasant Prairie, LLC ("ZF") acquired the rights to the CHERRY branded switches and sensors in 2008. Although ZF divested its interest in the CHERRY name in 2015, the switches and sensors remain unchanged and are now sold under the ZF brand.

Page 2 of 2, Last update 2023-11-01, Specifications subject to change without notice.

