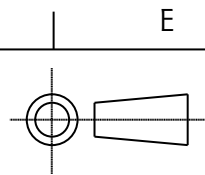


ISS.	DATE	E.C.N.	DESCRIPTION
1	25-Feb-09		FIRST ISSUE

© 2006 CARCLO
ALL DIMENSIONS IN mm



CARCLO TECHNICAL PLASTICS (SLOUGH)
111 BUCKINGHAM AVE, SLOUGH
SL1 4PF, ENGLAND
TEL: +44 1753 575011 FAX: +44 1753 811359
e-mail: design@carclo-optics.com}

CUSTOMER DRAWING

GENERAL TOLERANCES (UNLESS STATED)

LINEAR	ANGULAR
X +/- 0.25	X +/- 1°
X.X +/- 0.1	X.X +/- 0.5°
X.XX +/- 0.05	X.XX +/- 0.1°

CUSTOMER

CARCLO

TITLE

UNIFORM HEMI-SPHERICAL
EMITTER BUBBLE OPTIC

DRAWN AJD DATE 25-Feb-09

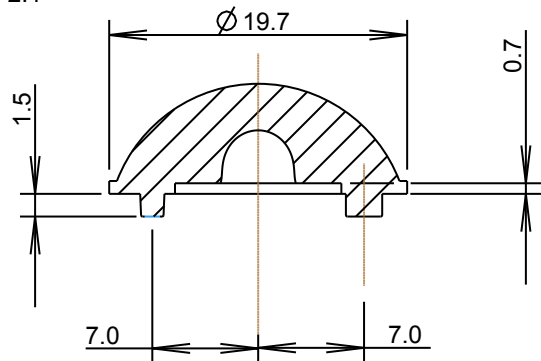
CHK'D DATE

APP'D DATE

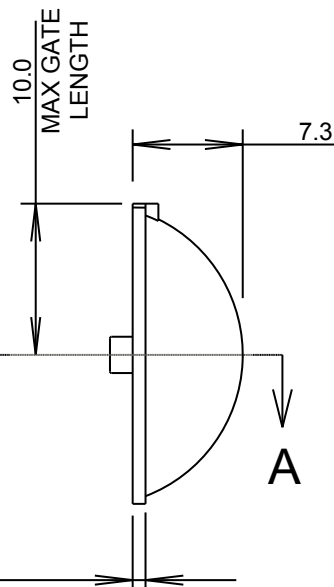
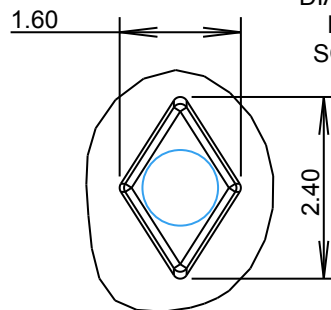
SCALE 2:1 CARCLO PART No. 10620

SIZE A4 CARCLO DRG. No. 60570 SHEET 1 OF 2

SECTION A-A
SCALE 2:1



DIAMOND DOWEL
DETAIL C
SCALE 10:1



3D GENERAL VIEW
SCALE 1:1

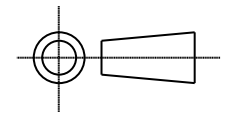


DIAMOND DOWEL
SEE DETAIL C

MATERIAL: POLYCARBONATE

ISS.	DATE	E.C.N.	DESCRIPTION
1	25-Feb-09		FIRST ISSUE

© 2006 CARCLO
ALL DIMENSIONS IN mm



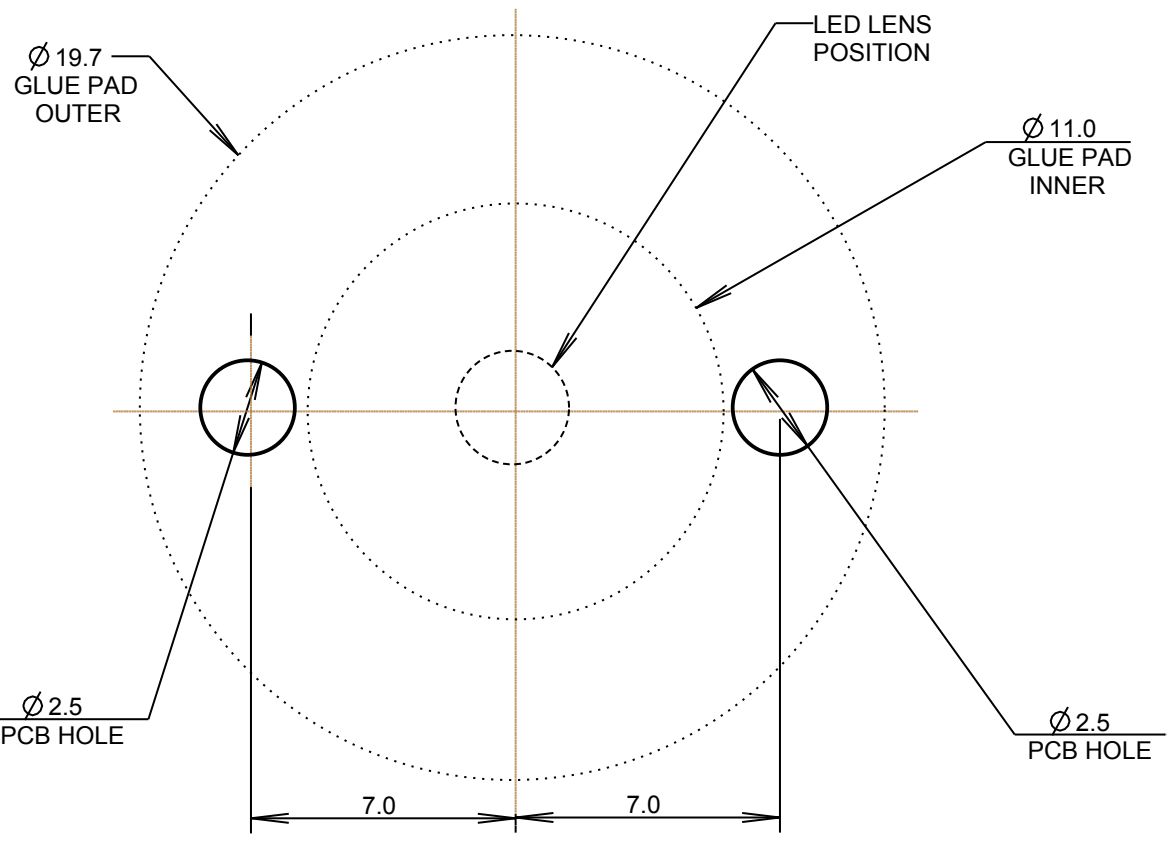
CARCLO TECHNICAL PLASTICS (SLOUGH)
111 BUCKINGHAM AVE, SLOUGH
SL1 4PF, ENGLAND
TEL: +44 1753 575011 FAX: +44 1753 811359
e-mail: design@carclo-optics.com}

PCB GLUE PAD AND ALIGNMENT HOLE LAYOUT DIMENSIONS

GENERAL TOLERANCES (UNLESS STATED)

LINEAR	ANGULAR
X +/- 0.25	X +/- 1°
X.X +/- 0.1	X.X +/- 0.5°
X.XX +/- 0.05	X.XX +/- 0.1°

CUSTOMER		
CARCLO		
TITLE		
UNIFORM HEMI-SPHERICAL EMITTER BUBBLE OPTIC		
DRAWN	DATE	
AJD	25-Feb-09	
CHK'D	DATE	
APP'D	DATE	
SCALE	CARCLO PART No.	
5:1	10620	
SIZE	CARCLO DRG. No.	SHEET
A4	60570	2 OF 2



NOTE: THE CLOSEST THAT TWO OR MORE LENSES CAN BE PLACED TOGETHER WITHOUT OBSCURATION IS 27MM BETWEEN CENTRES.