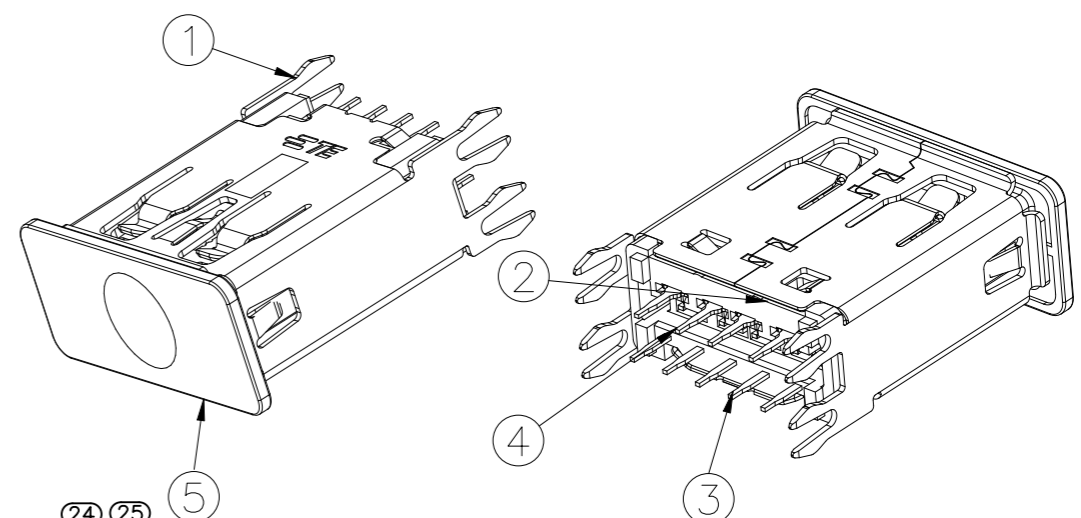
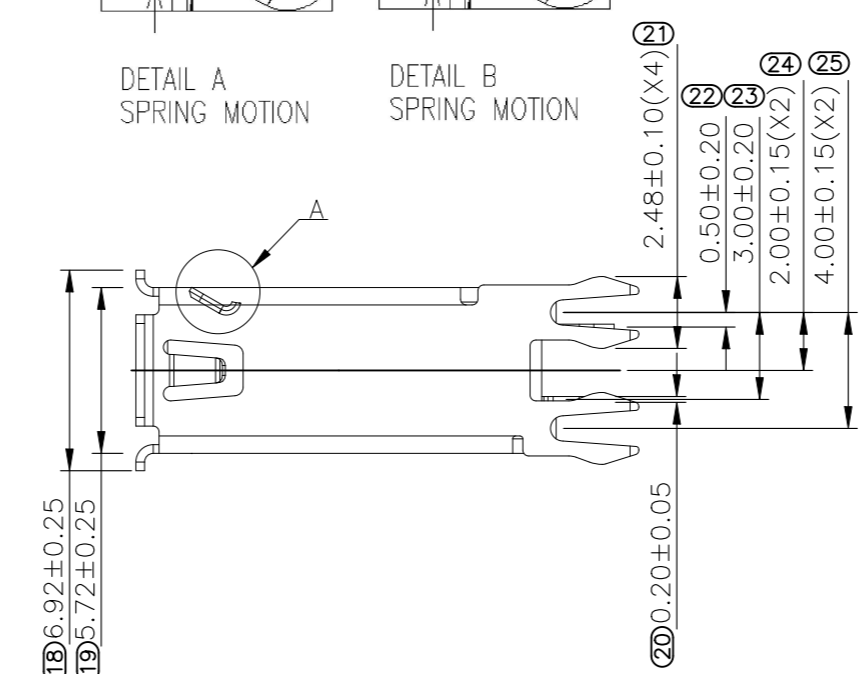
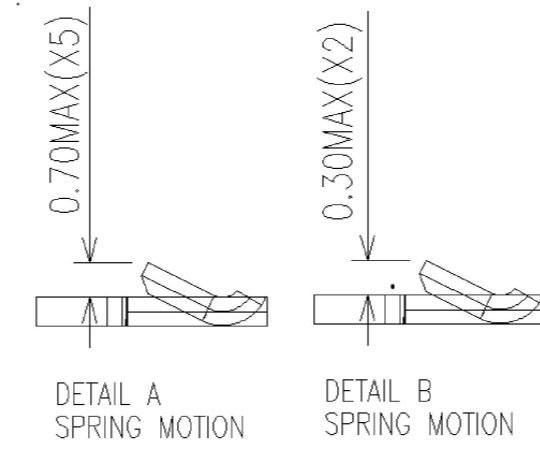
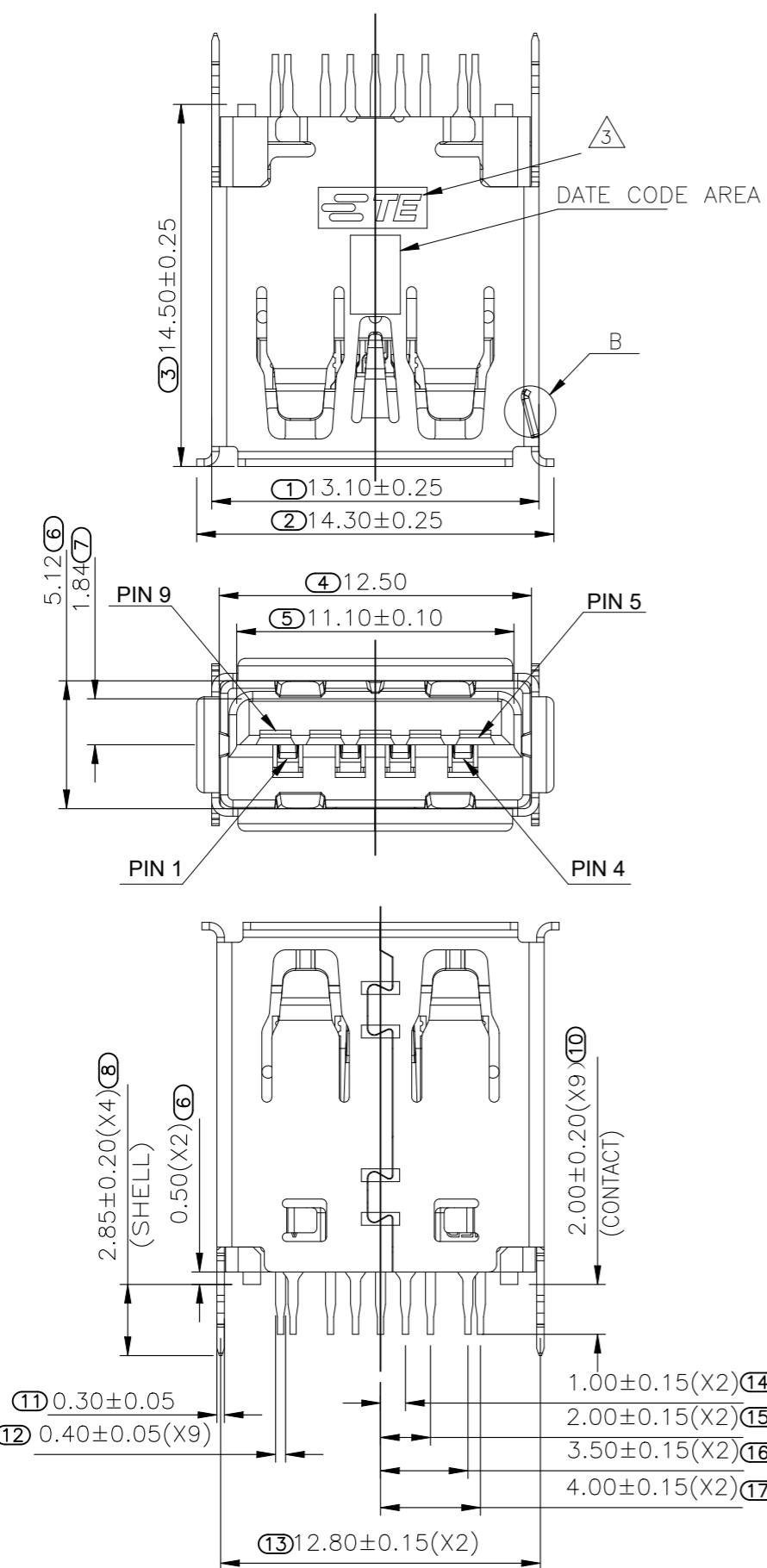


REVISIONS

P	LTR	DESCRIPTION	DATE	DWN	APVD
	B3	Production release,ECN-23-223404	21-JUN-23	GVA	SD
	B2	PCB Layout update	14 july 23	GVA	SD



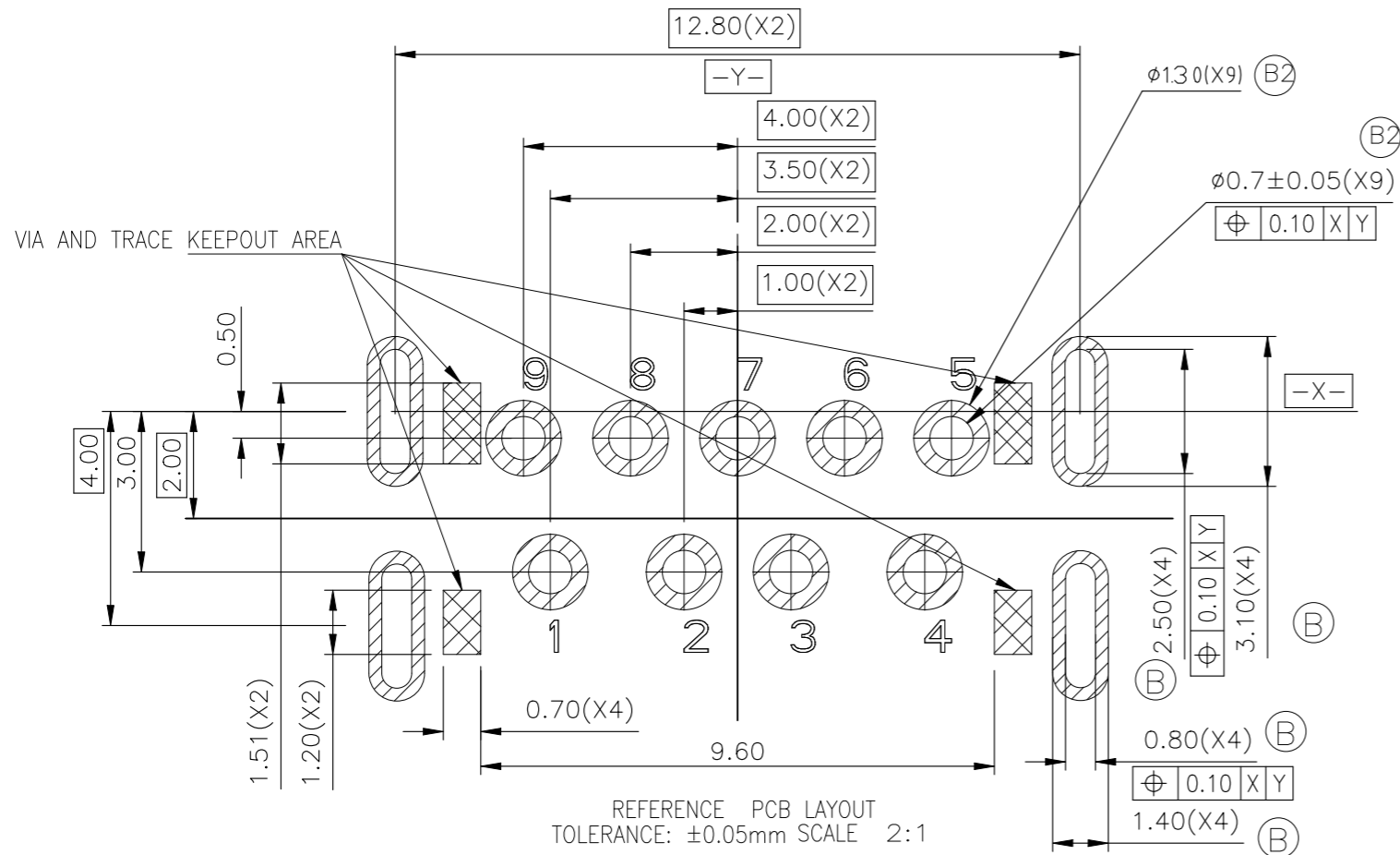
ITEM	NAME	Q'TY	MATERIAL / FINISH
5	CAP	1	LCP,THERMOPLASTIC/UL 94V-0 RATED
4	SPRING CONTACT	4	COPPER ALLOY / Au PLATED
3	FLAT CONTACT	5	COPPER ALLOY / Au PLATED
2	HOUSING	1	PA9T,THERMOPLASTIC/UL 94V-0 RATED
1	SHELL	1	METAL / Ni PLATED

S/N	TE PN	DESCRIPTION	HOUSING COLOR	SHIELD TYPE	CONTACT PLATING (Au)
1	2439034-1	USB 3.1 A TYPE REC.VT	BLACK	BENDING BOARD LOCK	GF
2	2439034-2	USB 3.1 A TYPE REC.VT	BLACK	BENDING BOARD LOCK	15u"
3	2439034-3	USB 3.1 A TYPE REC.VT	BLACK	BENDING BOARD LOCK	30u"

THIS DRAWING IS A CONTROLLED DOCUMENT.

DWN	GVA	19MAY2023	TE Connectivity
CHK	DS	18-May-2023	
APVD	WH	19-May-2023	
DIMENSIONS: mm TOLERANCES UNLESS OTHERWISE SPECIFIED: 0 PLC ± 0.38 1 PLC ± 0.30 2 PLC ± 0.20 3 PLC ± 0.10 4 PLC ± 0.10 ANGLES ± 3			NAME Vertical USB 3.2 A (board lock type)
MATERIAL: - FINISH: -			PRODUCT SPEC: 108-160961 APPLICATION SPEC: - WEIGHT: 0 CUSTOMER DRAWING
SIZE: A3 CAGE CODE: 00779 DRAWING NO: C=2439034		RESTRICTED TO: - SCALE: NTS SHEET: 1 of 3 REV: B3	

P	LTR	DESCRIPTION	DATE	DWN	APVD
-	-	SEE SHEET 1	-	-	-



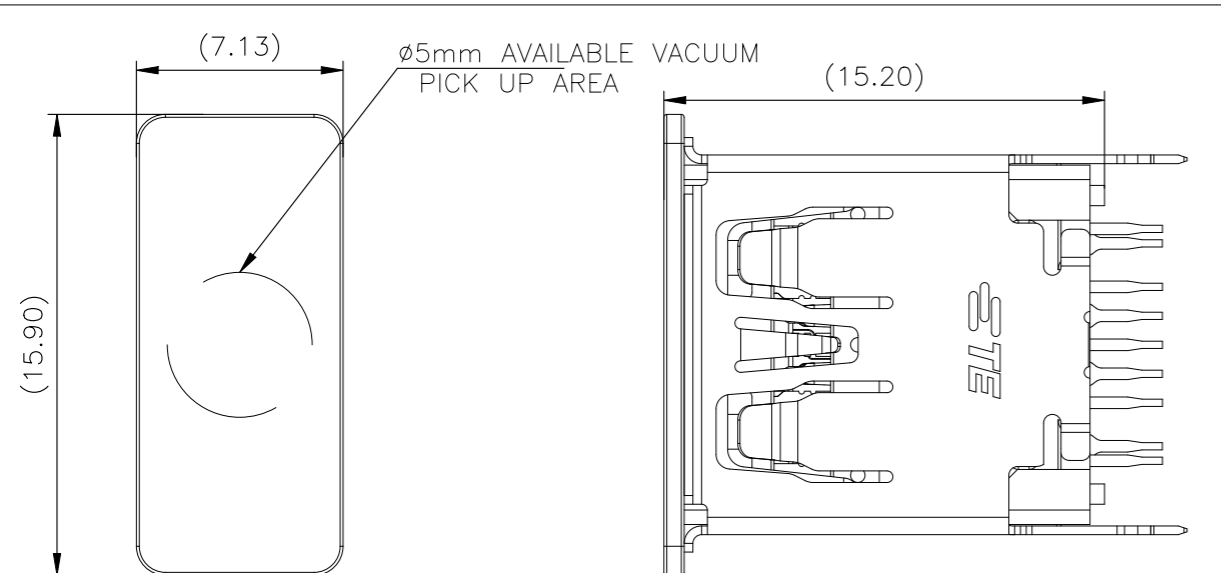
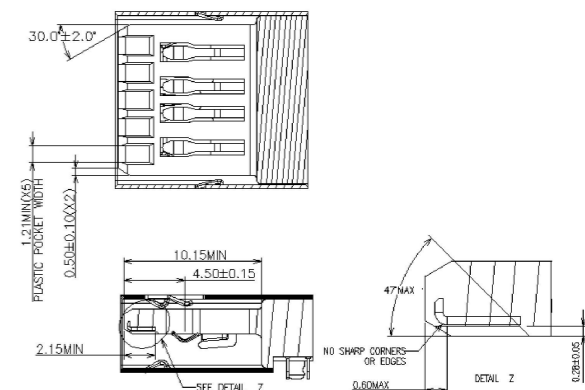
NOTES:

- MATERIAL:
 - HOUSING PA9T UL94 V-0 RATED;COLOR BLACK
 - CAP: LCP UL94 V-0 RATED;COLOR BLACK
 - CONTACT: BRASS&PHOS BRONZE
 - SHELL: STAINLESS STEEL SHIELD TYPE BENDING BOARD LOCK

FINISH

- CONTACT:
 - GOLD PLATING(SEE TABLE) ON CONTACT AREA.
 - 2.54um [100u"] MIN. MATTE-TIN PLATING ON SOLDER TAIL AREA.
 - 1.27um [50u"] MIN. NICKEL UNDERPLATING OVERALL.
- SHELL: 1.27um [50u"] MIN. NICKEL PLATING.
- RECOMMENDED P.C.B THICKNESS : 1.2

Universal Serial Usb3.1 Specification



NOTES:

- ELECTRICAL CHARACTERISTIC:
 - LOW LEVEL CONTACT RESISTANCE: INITIAL: 30 mΩ MAXIMUM FOR POWER AND GROUND CONTACTS. INITIAL: 50 mΩ MAXIMUM AFTER: 10 mΩ MAXIMUM CHANGE. FOR ALL OTHER CONTACTS.
 - DIELECTRIC WITHSTANDING VOLTAGE: 100 VAC FOR ONE MINUTE AT SEA LEVEL.
 - INSULATION RESISTANCE: 100 MΩ MINIMUM.
- MECHANICAL CHARACTERISTIC:
 - INSERTION FORCE: 35N (3.57 Kg) MAXIMUM.
 - EXTRACTION FORCE: INITIAL:10N (1.02Kg)MINIMUM. AFTER:8N (0.816Kg)MINIMUM.

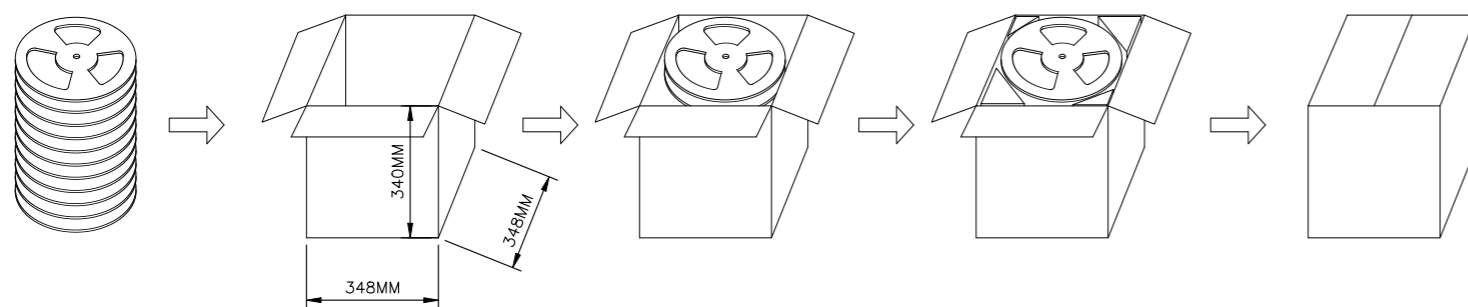
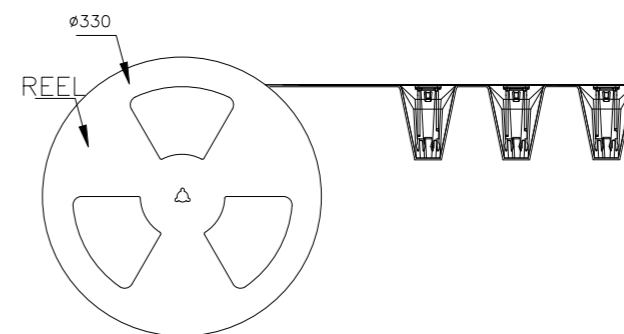
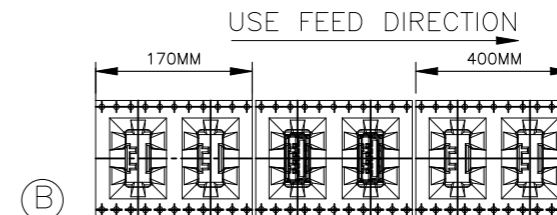
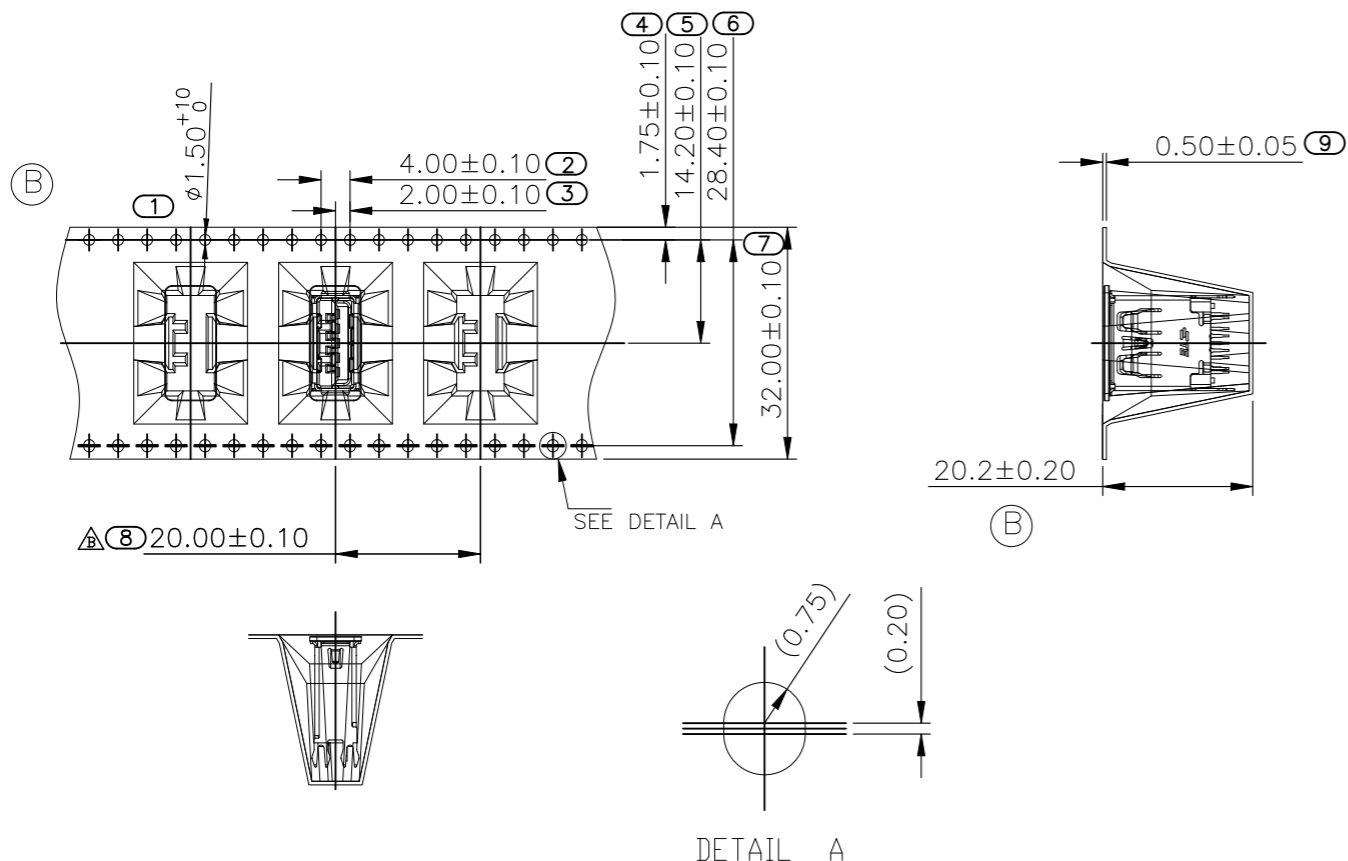
TE LOGO MUST BE CLEAR&LEGIBLE

TABLE A: PIN ASSIGNMENT									
PIN NO	1	2	3	4	5	6	7	8	9
SIGNAL NAME	VBUS	D-	D+	GND	STDA_SSRX-	STDA_SSRX+	GND	STDA_SSTX-	STDA_SSTX+
REMARK	USB 2.0 CONTACT PIN				USB 3.0 CONTACT PIN				

THIS DRAWING IS A CONTROLLED DOCUMENT.		DWN	19MAY2023		TE Connectivity
		CHK	18-May-2023		
		APVD	19-May-2023		
DIMENSIONS: mm		TOLERANCES UNLESS OTHERWISE SPECIFIED:		PRODUCT SPEC	NAME
		0 PLC ± 0.38 1 PLC ± 0.30 2 PLC ± 0.20 3 PLC ± 0.10 4 PLC ± ANGLES ± 3		108-160961	
MATERIAL		FINISH		APPLICATION SPEC	SIZE
					CAGE CODE
				WEIGHT	DRAWING NO
				0	A300779
				CUSTOMER DRAWING	RESTRICTED TO
				SCALE	REV
				NTS	B3
				SHEET	
				2 of 3	

REVISIONS

P	LTR	DESCRIPTION	DATE	DWN	APVD
-	-	SEE SHEET 1	-	-	-



GROSS WEIGHT	NET WEIGHT	PCS/ REEL	REEL/ BOX	PCS/ BOX	PART NUMBER
5.60KG	2.26KG	150	8	1200	2439034-1
5.60KG	2.26KG	150	8	1200	2439034-2
5.60KG	2.26KG	150	8	1200	2439034-3

- NOTES :
- PACKAGING MATERIAL IN PLASTIC, RUBBER, INK, PIGMENT AND PAINT MUST MEET CONTROLLED SUBSTANCES SPEC PER 230-702.
 * CADMIUM AND CADMIUM COMPOUNDS NOT TO EXCEED: 5 PPM.
 * LEAD, CADMIUM, CHROM VI AND MERCURY NOT TO EXCEED: 100 PPM (COMBINED).
 * CARRIER TAPES, COVER TAPES, REELS AND TAPED COMPONENTS MUST MEET THE REQUIREMENTS DEFINED PER EIA-481-C.
 - MATERIAL :
 COVER TAPE : PET, COLOR: TRANSPARENT
 CARRIER TAPE : SYNTHETIC MATERIALS, COLOR: BLACK
 REEL :PS BLUE
 SHIPPING BOX: CORRUGATED FIBER

THIS DRAWING IS A CONTROLLED DOCUMENT.		DWN GVA 19MAY2023	TE Connectivity NAME Vertical USB 3.2 A (board lock type)		
		CHK DS 18-May-2023			
DIMENSIONS: mm		APVD WH 19-May-2023	PRODUCT SPEC 108-160961		
		TOLERANCES UNLESS OTHERWISE SPECIFIED:		APPLICATION SPEC	
MATERIAL		FINISH		RESTRICTED TO	
				SIZE CAGE CODE DRAWING NO	
				A3 00779 C=2439034	
		WEIGHT 0		SCALE NTS SHEET 3 of 3 REV B3	
CUSTOMER DRAWING					

Mouser Electronics

Authorized Distributor

Click to View Pricing, Inventory, Delivery & Lifecycle Information:

[TE Connectivity:](#)

[2439034-2](#)