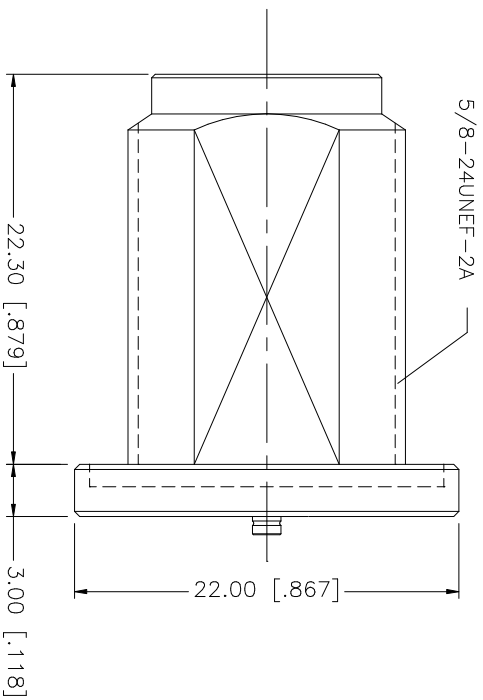
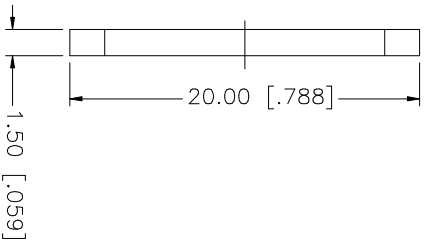
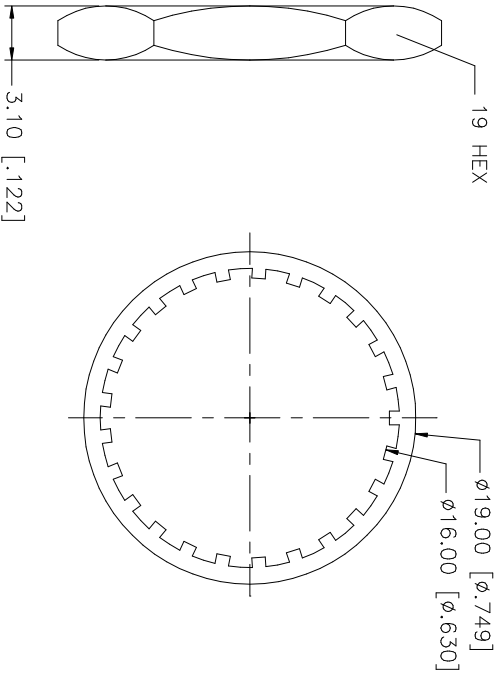
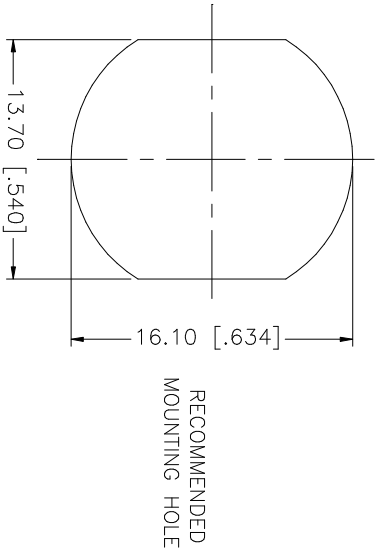


REV.	DATE	DESCRIPTION
NC	12/18/04	INITIAL RELEASE
A	04/05/06	ADD NOTE 1



NOTE:
1. MAX. VSWR 1.4:1 UP TO 6ghz

QTY	DESCRIPTION	MATERIAL	FINISH	QTY	DO NOT SCALE DRAWING	APPROVALS	DATE	PART DESCRIPTION
1	HEX NUT	BRASS	NICKEL			DRAWN	04/05/06	<p>Amphenol Connex</p> <p>AMC JACK TO N BULKHEAD JACK</p> <p>242216</p>
1	LOCK WASHER	BRASS	NICKEL			CHECKED		
1	GASKET	SILICONE	RED			ISSUED		
1	CONTACT PIN	BER. COPPER	GOLD			SHEET	1 OF 1	
1	INSULATOR BODY	TEFLON BRASS	NATURAL NICKEL					
	DESCRIPTION	MATERIAL	FINISH	QTY		CAD FILE		PART NO.
						C:/242/242216.DWG		242216
								DWG. NO.
								242216.DWG
								REV. A
								SIZE A
								SCALE NA

UNLESS OTHERWISE SPECIFIED, DIMENSIONS ARE IN MILLIMETERS. DIMENSIONS IN INCHES ARE IN INCHES AND FOR CUSTOMER REFERENCE ONLY.

UNLESS OTHERWISE SPECIFIED, TOLERANCES FOR MILLIMETERS ARE:

0.5 - 8mm ± 0.20mm
8 - 30mm ± 0.40mm
30 - 120mm ± 0.50mm

UNLESS OTHERWISE SPECIFIED, TOLERANCES FOR INCHES ARE:

.020 - .315 = ± 0.007"
.315 - 1.180 = ± 0.015"
1.180 - 4.724 = ± 0.020"