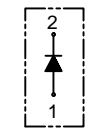
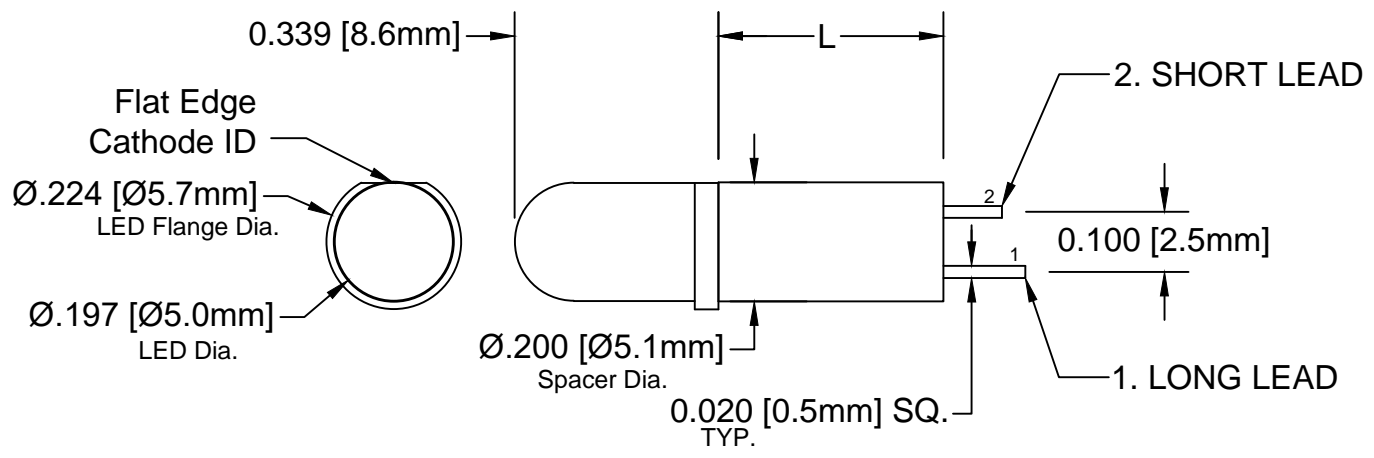
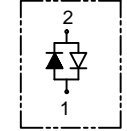


REV.	DESCRIPTION	DATE	APPROVED
M	LED Offering List Update	07/26/12	T. Y.
N	Removed LED Duplication From Offering List	11/09/12	T. Y.
P	Corrected P/N Typo in BOM	09/20/13	T. Y.
R	Updated LED Optical Characteristics	09/12/15	J. C.
T	Corrected P/N Typo in Sheet#3 & #4	07/27/17	J. C.
U	Updated per EOL Notice	06/26/20	A. V.
V	ECO-1074 Corrected Standard Tolerance	09/21/20	A. V.

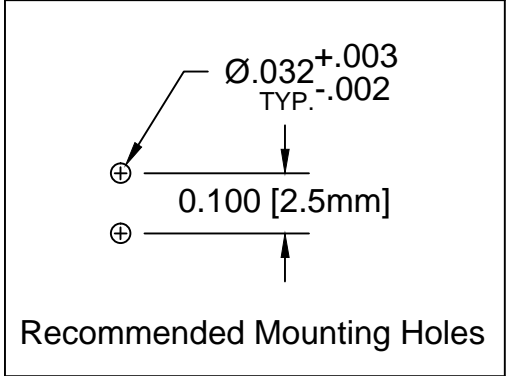
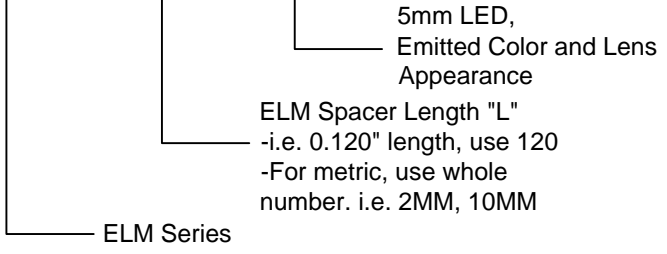


Single Color



Bi-Color

ELM 1 XXX 5 XX



BI-COLOR POLARITY		
LED P/N	(1) Cathode	(2) Cathode
5BC-F	Green	Red
5BC-Y/G-F	Green	Yellow

CUSTOMER USE DRAWING

ABSOLUTE MAXIMUM RATINGS (Ta=25°C)

REVERSE VOLTAGE	5V
REVERSE CURRENT	100uA
OPERATING TEMPERATURE RANGE	-25° C - 85° C
STORAGE TEMPERATURE	-30° C - 100° C
LEAD SOLDERING TEMPERATURE(1/16" FROM BODY)	260° C FOR 5 SECONDS

STANDARD TOLERANCE (UNLESS OTHERWISE SPECIFIED)		 BIVAR [®] 4 THOMAS, IRVINE, CA. 92618 TEL: (949) 951-8808 FAX: (949) 951-3974	
DECIMALS	ANGULAR		
X ± .1	X° ± 1°		
.XX ± .02		 TITLE: EXTRUDED VERTICAL T-1 ^{1/4} (5mm) LED NARROW PROFILE ASSY	
.XXX ± .010			
DESIGNED: M. Doan	DATE: 07/26/12	DRAWING NO: ELM1XXX5XX	REVISION: V
REVISED: V. Chavez	DATE: 09/21/20	SHEET SIZE: A	CAGE CODE: 32559
CHECKED: A. Valdez	DATE: 09/21/20	SCALE: N/A	SHEET # 1 OF 3
CAD GENERATED DOCUMENT, DO NOT MEASURE DRAWING			

REV.	DESCRIPTION	DATE	APPROVED
	SEE SHEET #1		

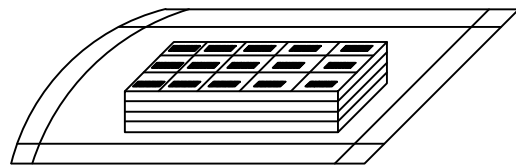
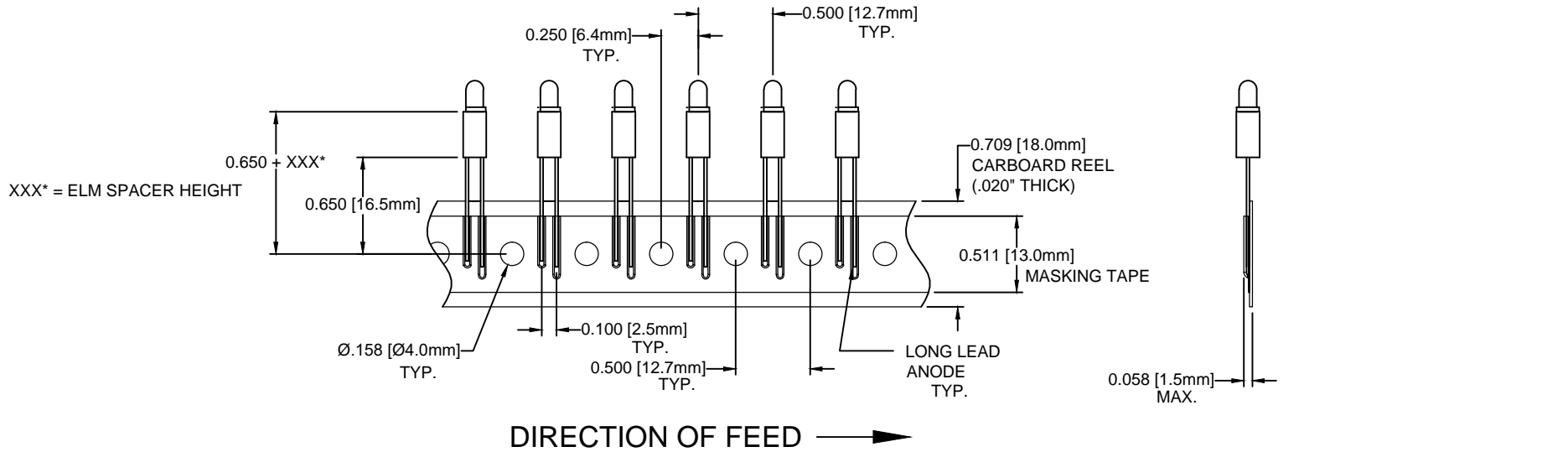
LED Assy. No.	Chip			Lens Appearance	Electro-Optical Data @ 20mA				Viewing Angle 2 θ ½ (Deg)	LED P/N	
	Material	Peak Wave Length λp (nm)	Emitted Color		If (mA)	Vf (V)		Iv (mcd)			
						MAX	TYP	MAX			TYP
ELM1XXX5BWD	GaN/SiC	430	BLUE	DIFFUSED	25	4	4.5	15	45	5BWD-F	
ELM1XXX5GD	GaP/GaP	568	GREEN	DIFFUSED	30	2.1	2.8	25	45	5GD-F	
ELM1XXX5GT	GaP/GaP	568	GREEN	TINTED	30	2.1	2.8	40	35	5GT-F	
ELM1XXX5YD	GaAsP/GaP	590	YELLOW	DIFFUSED	30	2	2.8	25	45	5YD-F	
ELM1XXX5YT	GaAsP/GaP	590	YELLOW	TINTED	30	2	2.8	40	35	5YT-F	
ELM1XXX5AD	GaAsP/GaP	605	AMBER	DIFFUSED	30	2	2.8	25	45	5AD-F	
ELM1XXX5HD	GaAsP/GaP	625	HE RED	DIFFUSED	30	2	2.8	25	45	5HD-F	
ELM1XXX5HT	GaAsP/GaP	625	HE RED	TINTED	30	2	2.8	40	35	5HT-F	
ELM1XXX5RD	GaP/GaP	700	RED	DIFFUSED	20	2.1	2.8	2	45	5RD-F	
ELM1XXX5BC	GaAsP/GaP	625	RED	WHITE DIFFUSED	30	2.0	2.8	6	45	5BC-F	
	GaP/GaP	568	GREEN		30	2.1	2.8	8			
ELM1XXX5BC-Y/G	GaAsP/GaP	590	YELLOW	WHITE DIFFUSED	30	2.0	2.8	5	45	5BC-Y/G-F	
	GaP/GaP	568	GREEN		30	2.1	2.8	8			
ELM1XXX5SRC	GaAlAs/GaAs	645	SUPER RED	WATER CLEAR	30	1.7	2.4	60	35	5SRC-F	

LED Assy. No.	Peak Wave Length λp (nm)	Emitted Color	Lens Appearance	Electro-Optical Data				Viewing Angle 2 θ ½ (Deg)	LED P/N
				If (mA)	Vf (V)		Iv (mcd)		
					TYP	TYP			
LOW CURRENT				Data @ 2mA					
ELM1XXX5GDL	568	GREEN	DIFFUSED	2	2.1	2.6	4	40	5GDL-F

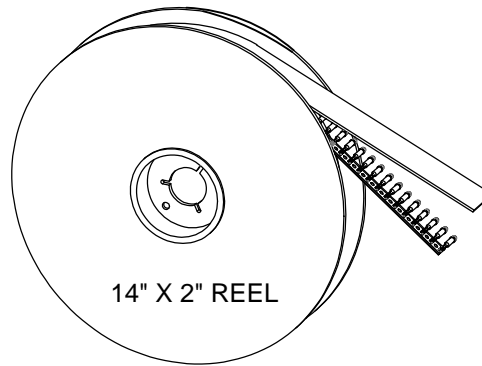
CUSTOMER USE DRAWING

		BIVAR [®]	
CAGE CODE	32559	DRAWING NO:	ELM1XXX5XX
SHEET SIZE	A	REVISION:	V
		SCALE: N/A	SHEET # 2 OF 3
<small>CAD GENERATED DOCUMENT, DO NOT MEASURE DRAWING</small>			

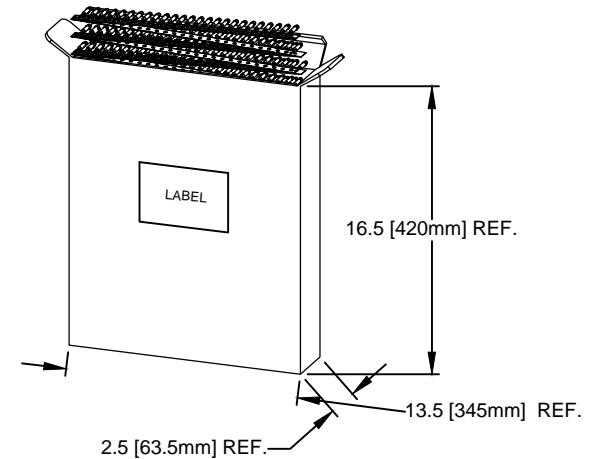
REV.	DESCRIPTION	DATE	APPROVED
	SEE SHEET #1		



STANDARD PACKAGING TRAY



TAPE & REEL
1,000 pcs / reel



AMMO PACK
2,000 pcs / box

CUSTOMER USE DRAWING

- NOTE:
- STANDARD PART NUMBERS ARE PACKAGED IN LOOSE PIECES USING PACKAGING TRAYS
 - ADD "T" SUFFIX TO PART NUMBER FOR TAPE AND REEL PACKAGING OPTION (1,000 PCS/REEL)
 - ADD "A" SUFFIX TO PART NUMBER FOR AMMO PACK OPTION (2,000 PCS/BOX)
 - TAPE AND REEL PACKAGING COMPLY TO EIA-468-C

		BIVAR [®]	
CAGE CODE	32559	DRAWING NO: ELM1XXX5XX	REVISION: V
SHEET SIZE	A	SCALE: N/A	SHEET # 3 OF 3
CAD GENERATED DOCUMENT, DO NOT MEASURE DRAWING			